

# SHICO. LOAD TRANSMITTER(Angular Type)

MODEL : SSEPOT-60

Measuring transmitter with contactless sensing system for acquiring the angular position of a shaft.

A load-independent DC signal with a range of 4 to 20 mA is read out at the measurement output. Due to its rugged design, it is used primarily in machinery manufacturing and shipbuilding.

## ■ FEATURE

- Patented contactless system / wear-free
- Analog measuring method, practically infinite resolution
- Angle of rotation measuring range
  - 0.. 5 to 0.. 270° without gearbox
  - 0.. 10° through 0.. 1600° revolutions with gearbox
- Measurement output : 0.. 1 to 60°/4.. 20 mA , 2,3 or 4-wire connection

## ■ SPECIFICATION

### ■ Standard Spec

- Type : Angle
- Angular Motion : 0~60° ±5%
- Power Supply : DC24V (Typical)
- Output : 4~20mA
- Temp : -25~70°C
- Protection : IP56
- General Tolerance : KS B 0412

### ■ Measuring Input

- Measuring ranges : 0...≥ 5 to 0...270° (without gear)
- Preferred ranges : 0...10, 0...30, 0...60, 0...90, 0...180 or 0...270°, 0...≥ 10° to 0...1200 turns (With additional gear)
- Standard ranges : 0...1mA, 3 or 4-wire connection / 0...5mA, 3 or 4-wire connection / 0...10mA, 3 or 4-wire connection / 4...20mA, 2 wire connection or 0...20mA, 3 or 4-wire connection adjustable with potentiometer 4...20mA or 4-wire connection 0...20mA, 4-wire connection
- Basic accuracy : Limit of error ≤ 0.5% for ranges 0...≤ 150°  
Limit of error ≤ 1.5% for ranges from 0...> 150 to 0...270°



### ■ Measuring Output

- Output variable : Load-independent DC current, proportional to the input angle
- Zero point correction : Approx. ±5%
- Span adjustment : Approx. +5 / -30%
- Standard ranges : 4~20 mA, 3- or 4-wire connection

### ■ Power

- Power Supply : H→○

Nominal Voltage U <sub>N</sub>	Tolerance
24~60 V DC/AC	DC-15...+33%
85~230 V DC/AC	AC±15%

Only possible with standard version, non-Ex, with Electric isolation, with AC/DC power pack (DC and 45...400Hz)

- DC voltage only: 15~33V
  - 15~33V (Possible with standard version, non-Ex, without electric isolation)
  - 15~30V (Necessary with Ex version, type of protection "Intrinsic safety" EEx la IIC T6, without electric isolation.)
- Power consumption : < 0.9 W response. < 1.8 VA
- Max. current consumption : Approx. 5 mA



SAM HOI INDUSTRIAL CO., LTD.

#48-2, 66-BeonGil, Golden root-Ro, Juchon Myeon, Gimhae-city

Gyeongnam-do. Korea

Tel. +82-55-321-0578~9 Fax. +82-55-321-0573

E-mail: [shico@shico.co.kr](mailto:shico@shico.co.kr) Homepage: <http://www.shico.co.kr>

L-6

# SHICO. LOAD TRANSMITTER(Angular Type)

MODEL : SSEPOT-60

## ■ ORDERING INFORMATION

SSEPOT	VERSION OF THE TRANSMITTER		
	CODE	STANDARD	
	1	MEASURING OUTPUT NON-INTRINSICALLY SAFE	
		CODE	MEASURING RANGE (MEASURING INPUT)
		1	0.. 10°
		2	0.. 30°
		3	0.. 60°
		4	0.. 90°
		5	0.. 180°
		6	0.. 270°
		CODE	OUTPUT SIGNAL (MEASURING OUTPUT)
		1	4~20mA, 2-WIRE CONNECTION
		2	0~20mA, 3 or 4-WIRE CONNECTION
		CODE	MATERIAL OF TRANSMITTER REAR COVER
		1	ROUTING OF CONNECTING CABLE
		2	PLASTIC / CONNECTOR
		3	LESS CABLE PLUG, SOCKET MOUNTED FOR CABLE ROUTED TO THE REAR
		4	LESS CABLE PLUG, SOCKET MOUNTED FOR CABLE ROUTED TO THE FRONT

SSEPOT-






SAM HOI INDUSTRIAL CO., LTD.

#48-2, 66-BeonGil, Golden root-Ro, Juchon Myeon, Gimhae-city  
Gyeongnam-do. Korea

Tel. +82-55-321-0578~9 Fax. +82-55-321-0573

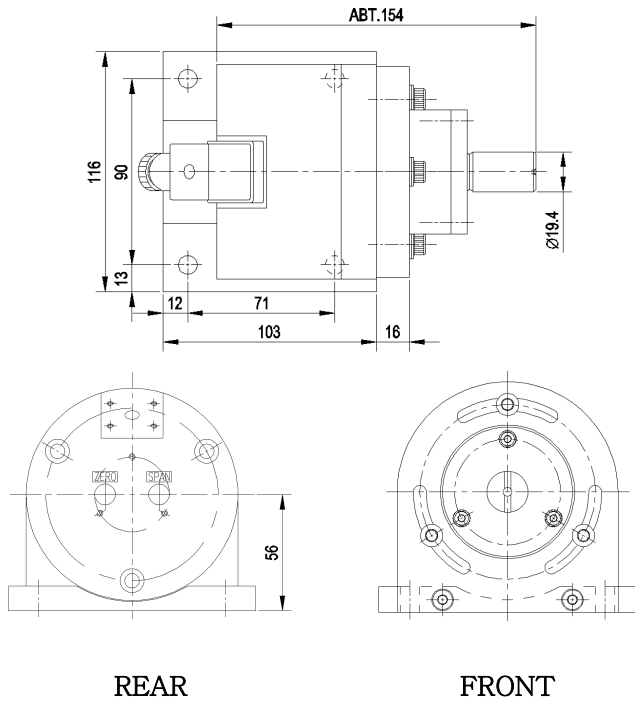
E-mail: [shico@shico.co.kr](mailto:shico@shico.co.kr) Homepage: <http://www.shico.co.kr>

L-7

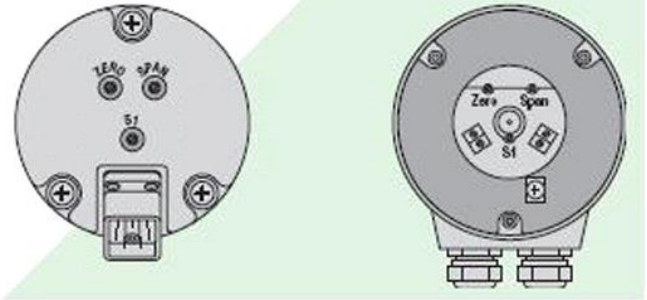
# SHICO. LOAD TRANSMITTER(Angular Type)

MODEL : SSEPOT-60

## ■ DIMENSION

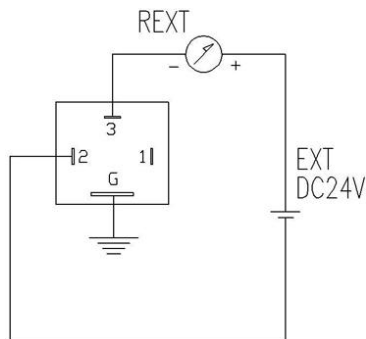


## Settings

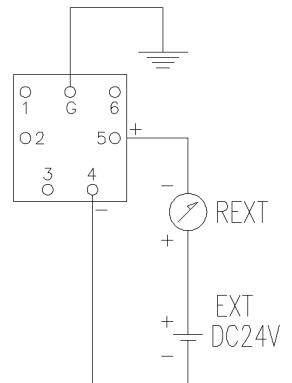


Rear(2) of the transmitter with the adjustments "ZERO", "SPAN" and "S1".

Left : Adjustments covered by the sealing screw  
Right : Adjustments exposed.



3-terminal connection (4...20mA)



6-terminal connection (4...20mA)

■ A=Measuring output...

- \* as 2-wire connection (4~20mA, signal in output/powering circuit)
- \* as 3 or 4-wire connection (different mA-signals)

■ H=DC power supply H=12...33V  
\* resp. H=12...30V with Ex version

■ R ext=External resistance



SAM HOI INDUSTRIAL CO., LTD.

#48-2, 66-BeonGil, Golden root-Ro, Juchon Myeon, Gimhae-city

Gyeongnam-do. Korea

Tel. + 82-55-321-0578~9 Fax. + 82-55-321-0573

E-mail: [shico@shico.co.kr](mailto:shico@shico.co.kr) Homepage: <http://www.shico.co.kr>