

# SHICO. ANALOGUE OUT SIGNAL INDUCTIVE SENSOR

MODEL : SIS Series

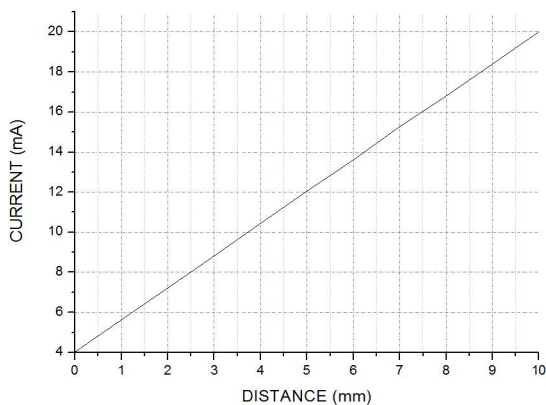
The inductive sensor which developed to detect the position variation of metal object is characterized by high precision and linearity . The output analog signal is proportional to the distance between the sensor and the object being detected.



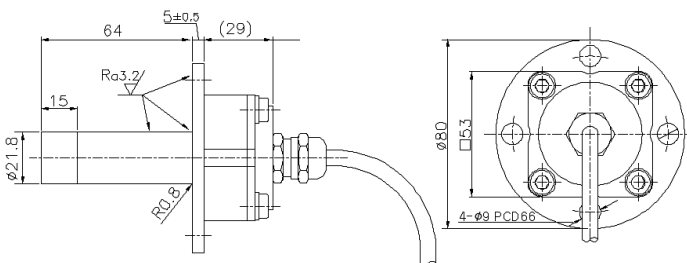
## TECHNICAL DATA

- Supply Voltage : DC24V
- Maximum Supply Voltage : DC18~36V
- No load current :  $\leq 60\text{mA}$
- Measurement Range : 0~10mm
- Output current : 4~20mA
- Load Resistor : Less than  $500\Omega$
- Target Material : Metal, Non Magnetic Metal (SNCrW)
- Housing Material : SUS316L, SUS304
- Operating Temperature :  $-20\sim+100^{\circ}\text{C}$   
(Active Surface :  $-20\sim150^{\circ}\text{C}$ )
- Non linearity : Linearity 0.5%
- Repeatability accuracy : Less than 0.5%
- Humidity : 95% or less
- Working Pressure : 20bar (Special Pressure is option)
- Protection Class : IP67
- Housing Material : SUS316L
- Mounting type : Flange
- Weight : 885g

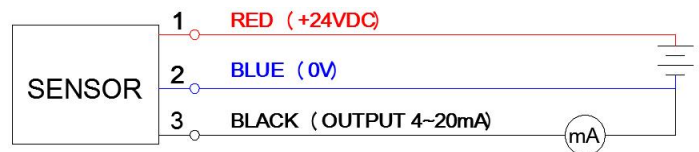
## OUTPUT VALUE



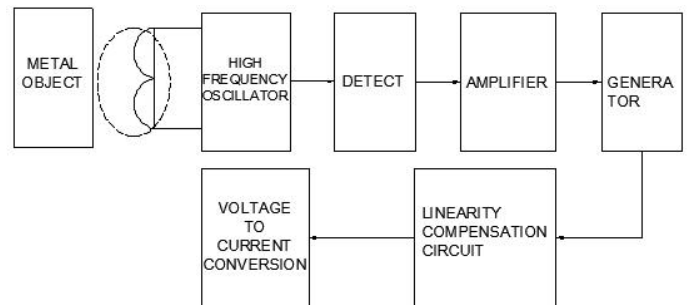
## DIMENSION



## CABLE CONNECTION



## CONFIGURATION DIAGRAM



## ORDERING INFORMATION

MODE	DETECT DISTANCE
1	5mm
2	7.5mm
3	10mm
MODE	SENSOR LENGTH
M1	64mm
M2	120mm
M3	10mm
MODE	SPECIAL
0	0 (METAL)
1	1 (NON MAGNETIC METAL)

SIS



SAM HOI INDUSTRIAL CO., LTD.

#48-2, 66-BeonGil, Golden root-Ro, Juchon Myeon, Gimhae-city  
Gyeongnam-do. Korea

Tel. +82-55-321-0578~9 Fax. +82-55-321-0573

E-mail: [shico@shico.co.kr](mailto:shico@shico.co.kr) Homepage: <http://www.shico.co.kr>