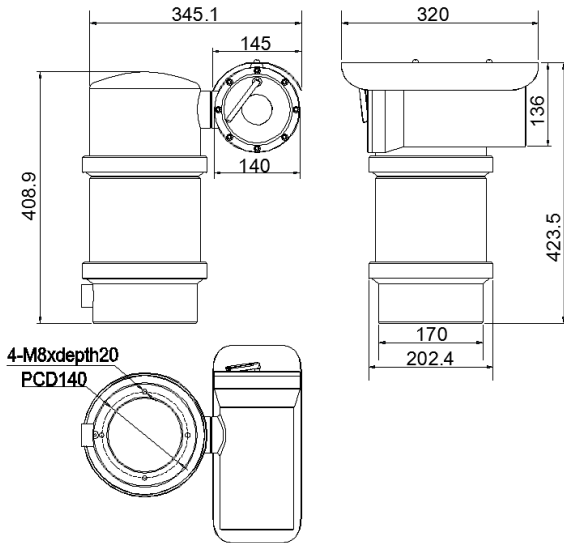


SHICO. EXPLOSION-PROOF CAMERA SYSTEM

MODEL : NEXPTZ363 Series

■ DIMENSION



■ FEATURE

- The highest level Ex Class : Ex d IIC T6 (IECEX, ATEX, CE, FCC, KC, CCEs)
- Corrosion Resistant SUS 316 Construction
- IP Class : IP67
- Built-in x36 Auto Focus Zoom Camera (True Day & Night)
- 128 Preset Position
- Built-in Wiper Function

■ SPECIFICATION

MODE	NEXPTZ363N/P-1	NEXPTZ363N/P-2
Ex. Class	Ex d IIC T6 (IECEX)	
Front window	Ground and polished, Fully tempered plate glass (Option : Optics special glass)	
Construction	SS316	
Protection	IP67	
Pan / Tilt	0~355°(Pan) / -90~90° (Tilt) rotation, Max 12° ±2°/sec Speed	
Input voltage	110VAC ±10%	220VAC ±10%
Power consumption	Max 110W	
Temperature	-10~ 60℃ (Recommend : -5~50℃) (Option : -45~60℃)	
Weight	Approx. 30Kg of light weight	
Pick-up device	1/4" Sony Super HAD CCD	
Effective pixel	NTSC : 380K, 768(H) x 494(V), PAL : 440K, 752(H) x 582(V)	
Television system	NTSC : 525 lines, 2:1 interlace, PAL : 625 lines, 2:1 interlace	
Lens	X36 (f=3.4~122.4mm), F1.6(wide) ~ F4.5(tele)	

Angle	H : 57.8°(wide), 1.7°(tele) V : 43.7°(wide), 1.3°(tele)
Digital zoom	X16 digital zoom, X576 total zoom
Sync system	Internal
H. Resolution	520TVL
S/N Ratio	More than 50dB (AGC OFF)
Min. Illumination	0.5lx(50IRE), 0.05lx(50IRE, IR Filter OFF) 0.001lx(50IRE, IR Filter ON, 512 Fields) 0.0001lx(50IRE, IR Filter OFF, 512 Fields)
Shutter speed	NTSC : 1/60~1/10,000sec, PAL : 1/50~1/10,000sec
White Balance	ATW / Indoor/ Outdoor / Manual / AWC
Day & Night	IR Cut Filter removable, True Day & Night
WDR Mode	On / Off
DNR Mode	Off / Low / High
Control	RS-485, S2, S2e, Pelco etc Protocol
Alarm	4 alarm in / 2 relay out
Certification	Ex d IIC T6 (IECEX) / ATEX II 2 G / CE / FCC / KC / CCEs



SAM HOI INDUSTRIAL CO., LTD.

#48-2, 66-BeonGil, Golden root-Ro, Juchon Myeon, Gimhae-city Gyeongnam, Korea

Tel. +82-55-321-0578 Fax. +82-55-321-0573

E-mail: shico007@chol.com Homepage : www.shico.co.kr