

## OIL TANK LEVEL GAUGE OPERATING MANUAL

### I. SPECIFICATION

- MODEL : SAGF-900
- MOUNTING TYPE : SIDE MOUNTING
- GAUGE DIA SIZE : Ø100
- BELLOWS MAT'L : HYTREL
- ALARM POINT
  - . HIGH LEVEL : 610 BELOW TANK TOP
  - . NORMAL LEVEL : 710 BELOW TANK TOP
  - . LOW LEVEL : 810 BELOW TANK TOP
- FLOAT ARM LENGTH : 730mm



### II. DESCRIPTION

Below Figure 1 shows a cutaway view of the tank-unit assembly and illustrates the mechanism which converts the vertical motion of the float and linkage to the circular motion of the pointer. The liquid and vapors within the tank are isolated by a friction-free bellows. Should the glass be broken, the bellows would prevent any of the contents of the tank from escaping. High-and low-level warning switches are also incorporated as part of the tank-unit assembly.

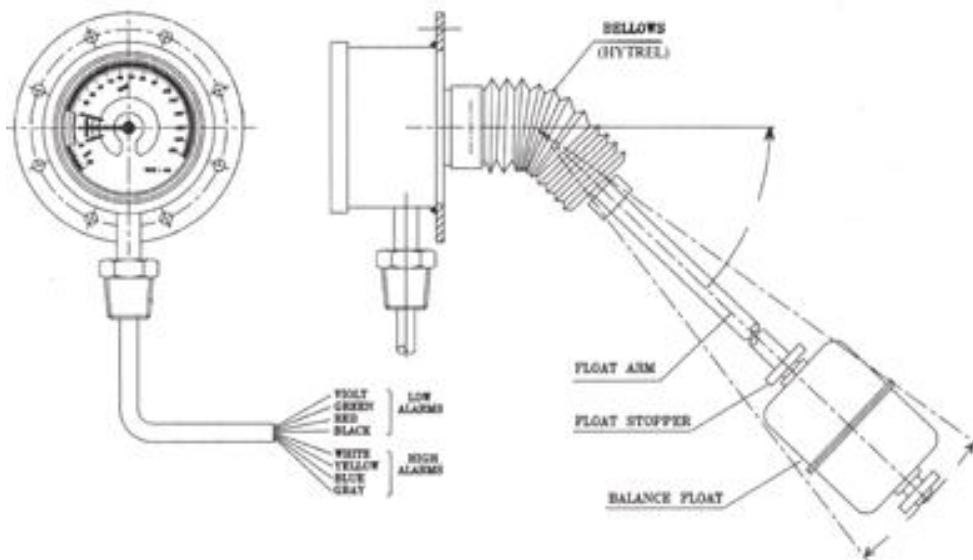


Fig. 1 Gauge out view



**SAMHOI INDUSTRIAL CO., LTD.**

# 61-14 CHARYOUNG-DONG CHANGWON-CITY KYUNGNAM, KOREA

Tel. 0551) 251-0555(代 Fax. 0551) 251-0558

### III. OPERATION

The tank-unit assembly is direct reading and operates by means of a float and lever arrangement. The float follows the position of the liquid level. The float arm, operating gear, bellows, and indicator mechanism transmit the float position, which in turn positions the adjust pointer pin on a calibrated dial. The switches contained with the gauge are wired to the junction box on the oil tank. The purchaser should in turn wire to a suit able warning device to indicate high and low liquid level.

### IV. SWITCH SETTING & CABLE WRING COLOR

1. Remove the bezel felt gasket and glass from the gauge.
2. The pointer kit inserted to high & low pointer pin.
3. Carefully rounding high & low point adjust precise setting
4. Resistance assemble.

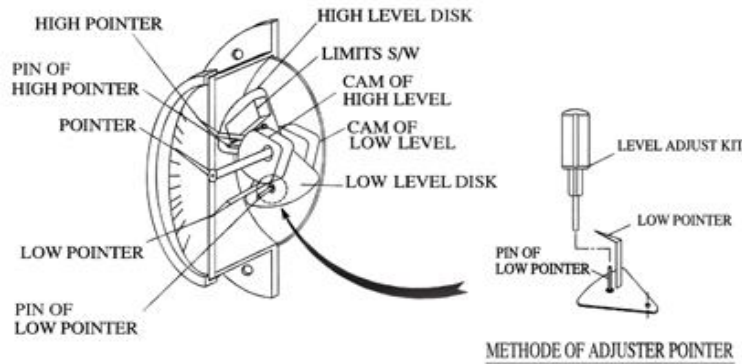


Fig. 2 Instruction of Gauge

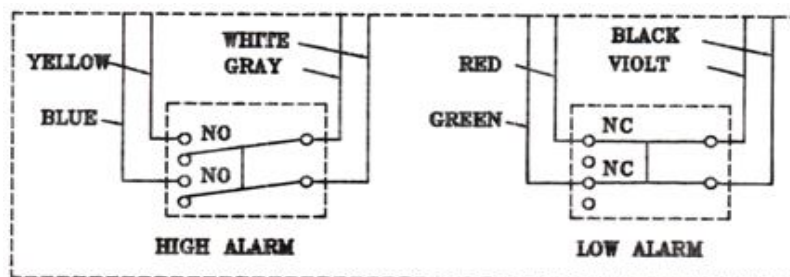


Fig. 3 Cable wiring diagram



**SAMHOI INDUSTRIAL CO., LTD.**

# 61-14 CHARYOUNG-DONG CHANGWON-CITY KYUNGNAM, KOREA

Tel. 0551) 251-0555(代) Fax. 0551) 251-0558

## OIL TANK LEVEL GAUGE OPERATING MANUAL

### VI. SWITCH REPLACEMENT

A. Disassemble the gauge to extent outlined below.

1. Remove the bezel felt gasket and glass from the gauge.
2. Carefully remove the pointer with a pointer puller.
3. Detach the dial by removing the four attaching screws.

B. Remove an inoperative switch as outline below

1. Detach the micro s/w attaching screws form switch bracket
2. Change the micro s/w
3. Resistance assemble

