

SHICO. AIR PURGE TYPE LEVEL MEASURING

MODEL : SAPA-Series



■ SPECIFICATIONS

- SUPPLY VOLTAGE
AC 85V ~ AC 230V FREE
- MEASURING RANGE
0~4M / 0~9M
- MOUNTING : TOP/ SIDE
- DISPLAY : 16 BY SERIAL ENGLISH LCD
- ELECTRONIC ACCURACY : $\pm 1\%$ FULL SCALE
- CONTACT: MAXIMUM AND MINIMUM LEVEL
- MEASURING RANGE : MAX TENSION 250VAC AT 5A
- PROBE TUBE LENGTH : 10M EXTENSIBLE UP TO : 50M
- MAX TEMPERATURE : $-20^{\circ}\sim 80^{\circ}\text{C}$ OPTION 180°C MAX
- LEVEL INDICATION
 - HIGH(mm, inch)
 - VOLUME(LITERS, GALLONS)
 - FILLING PERCENTAGE(%)
 - OUT PUT SIGNAL(OPTION) : 4 - 20 mA LOOP CURRENT / RS - 485 / 0 - 5V / 1 - 5V / SWITCH CONTACT : HIGH & LOW SPDT.

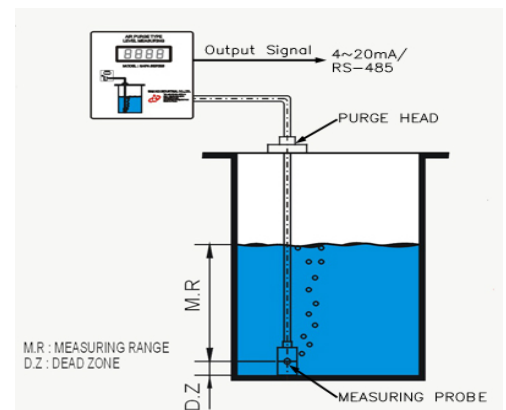
■ MAIN ADVANTAGES

- MEASURING PROBE
- PURGE HEAD
- CONTROL BOX 1
- MANUAL

■ APPLICATION

- WASTE WATER
- SEA WATER
- OPEN TANK

■ SYSTEM TANK GUARD



SAM HOI INDUSTRIAL CO., LTD.

#257-11 An-dong Gimhae-city Gyeongnam, Korea

Tel. + 82-55-321-0578~9 Fax. + 82-55-321-0573

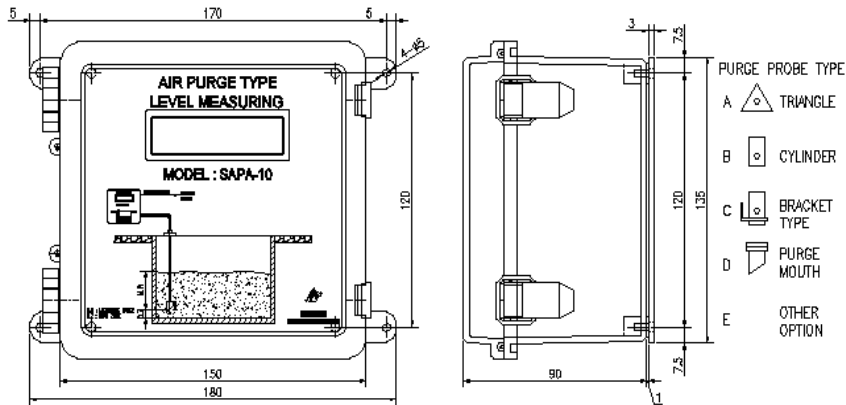
E-mail: shico007@chol.co.kr Homepage : www.shico.co.kr

SHICO.

MODEL : SAPA-Series

AIR PURGE TYPE LEVEL MEASURING

■ DIMENSIONS



■ PART NUMBER

CODE	LEVEL RANGE
1	0 ~ 4M
2	0 ~ 9M
CODE	PROBE MATERIAL
0	SUS 304
1	SUS 316
2	BC
3	STEEL
CODE	PURGE HEAD CONNECTION
1	SCREW PF 3/4"
2	FLANGE JIS 5K 20A
CODE	PURGE HEAD MAT'L
1	SUS 304
2	SUS 316
3	BC
CODE	INDICATOR CONTROLLER TYPE
1	LOCAL MOUNTING
2	PANEL MOUNTING
CODE	OUTPUT SIGNAL
1	4~20mA
2	RS 485
3	0~5V
4	1~5V
CODE	SWITCH DRY CONTACT
1	HIGH
2	LOW
3	HIGH & LOW
PROBE TYPE	
A • B • C • D • E	

SAPA-



SAM HOI INDUSTRIAL CO., LTD.

#257-11 An-dong Gimhae-city Gyeongnam, Korea

Tel. +82-55-321-0578~9 Fax. +82-55-321-0573

E-mail: shico007@chol.com Homepage : www.shico.co.kr