

# SHICO. ANGLE ENCODER Series

MODEL : SE-50 Series

“Versatile” and “modular” are catchwords that differentiate the incremental and absolute encoders in the Model SE50 Series of robust encoders.



1 CABLE TYPE



2 CABLE TYPE

Used in many different types of industrial applications such as electric motors, cranes, elevators and general automation, the series' mechanical, optical and electrical interfaces have become industry standard.

If the standard selection of interfaces does not suit the application's particular requirements, customized, cost-effective solutions may be provided with short lead times.

### Short description

- >> circuit protected
- industrials outputs
- >>IP 56 at housing, environments
- >>12.....36 Vdc
- >>Robust housing for harsh environment
- >>Shock and vibration protected

### Suitable applications

- >> Standard to demanding
- >> Extra rugged design for harsh

Description		
Model	SE-50S (Single)	SE-50D (Double)
Type	Incremental	Incremental
Power	AC12V-36V	AC12V-36V
Operating temperature	-25°C..+ 70°C	-25°C..+ 70°C
Ingress protection class	IP 56	IP 56
At shaft inle	IP 56	IP 56
Cover material	Aluminium	Aluminium
Cover surface treatment	Coated and cromated or anodized	Coated and cromated or anodized
Weight	Approx. 700g	Approx. 700g
Accuracy and resolution		
Line count	1....1024 bit	1....1024 bit
dividing error	±50 ° el	±50 ° el
Channel separation	90 ± 25° el	90 ± 25° el
Measuring steps	4x Line count	4x Line count
Mounting PCD	97.5 X M3	97.5 X M3
Protection	IP56	IP56



SAM HOI INDUSTRIAL CO., LTD.

#257-11 An-dong Gimhae-city Gyeongnam, Korea

Tel. + 82-55-321-0578~9 Fax. + 82-55-321-0573

E-mail : shico007@chol.com Homepage : www.shico.co.kr

# SHICO. ANGLE ENCODER Series

MODEL : SE-50 Series

## Electrical Specification

Output signal : A, B, Z, /A, /B, /Z 6 signal out(DC24)

Power : DC 24V

\* 1 TURN (360°)=1024 bit PULS (A,B,/A,/B), 1 PLUS out : Z,/Z

## Cable Connection

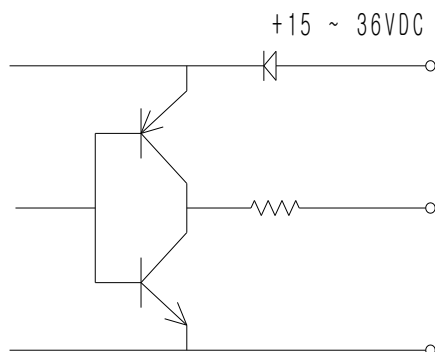
SE-50S (Single)

Function	Color	Function	Color
A	GREEN	/A	WHITE
B	YELLOW	/B	BLACK
Z	BROWN	/Z	VIOLET
0V	BLUE	24V	RED
SH	SHIELD		

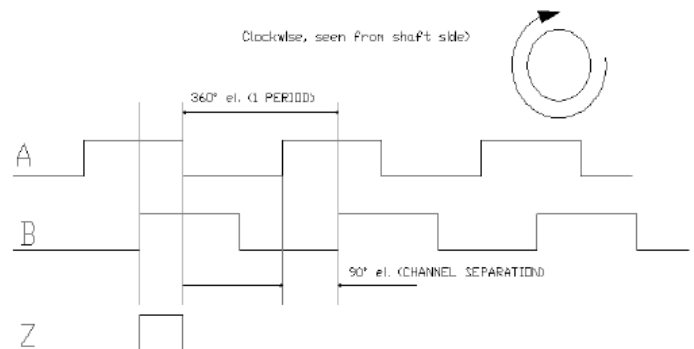
SE-50D (Double)

Function	Color	Function	Color
A	GREEN	/A	WHITE
B	YELLOW	/B	BLACK
Z	BROWN	/Z	VIOLET
0V	BLUE	24V	RED
SH	SHIELD		

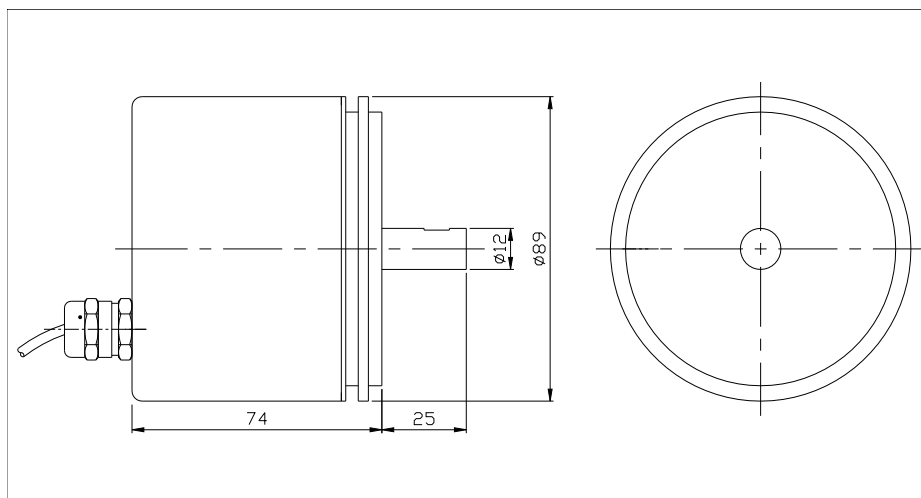
## Output circuit



## Output signal



## Dimension



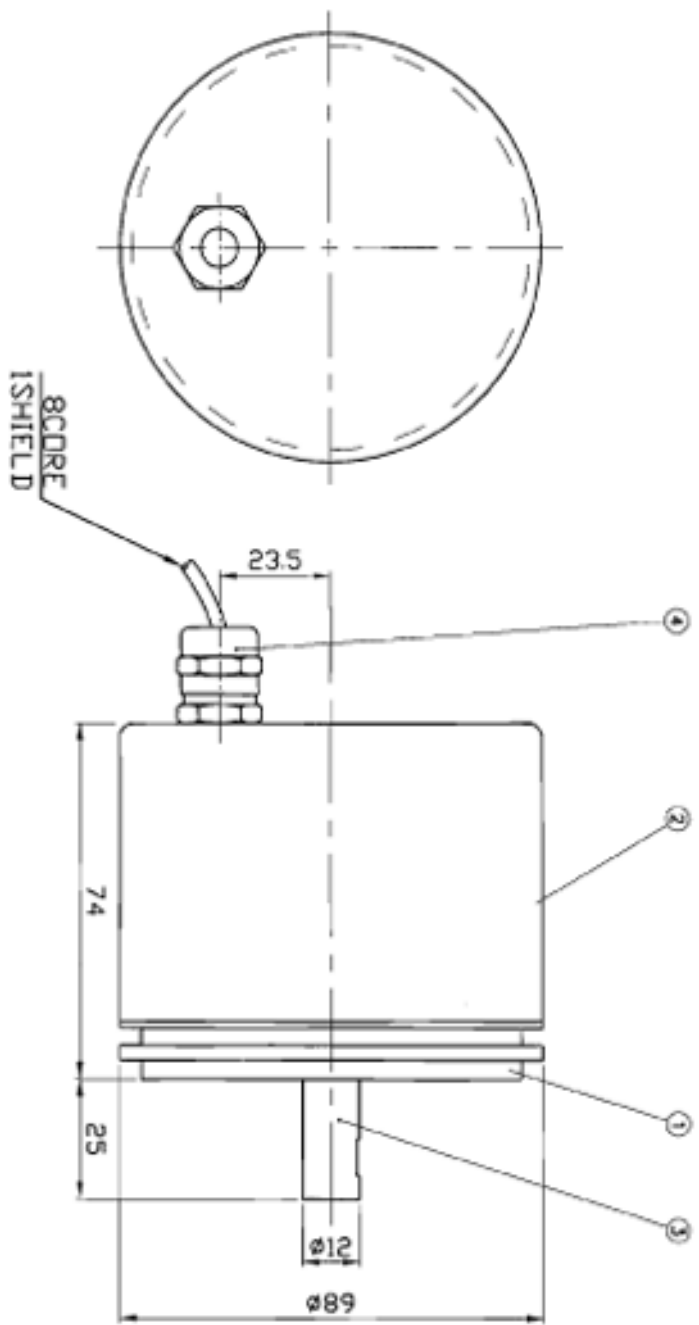
SAM HOI INDUSTRIAL CO., LTD.

#257-11 An-dong Gimhae-city Gyeongnam, Korea

Tel. +82-55-321-0578~9 Fax. +82-55-321-0573

E-mail : shico007@chol.com Homepage : www.shico.co.kr

REV	DATE	BY	DESCRIPTION
△	2009/09/21	LS/KIM	FIRST ISSUED
△			
△			
△			



- NOTE**
1. PRODUCT : ANGLE ENCODER
  2. MODEL : SF50-S (SINGLE)
  3. MAKER : SAMHOI IND CO., LTD
  4. TYPE : INCREMENTAL ENCODER
  5. OUT PUT : 1024 PPR
  6. PROTECTION : IP56
  7. VOLTAGE : 12V~36V
  8. MOUNTING PCD : 97.5X43
  9. GENERAL TOLERANCE : KS B 0412

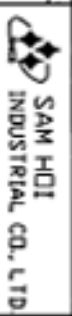
**CABLE CONNECTION**

OUT	COLOR	OUT	COLOR
A	ORANGE	A	WHITE
B	YELLOW	B	BLACK
Z	BROWN	Z	GRAY
0V	BLUE	+DC24V	RED
SH	SHIELD		

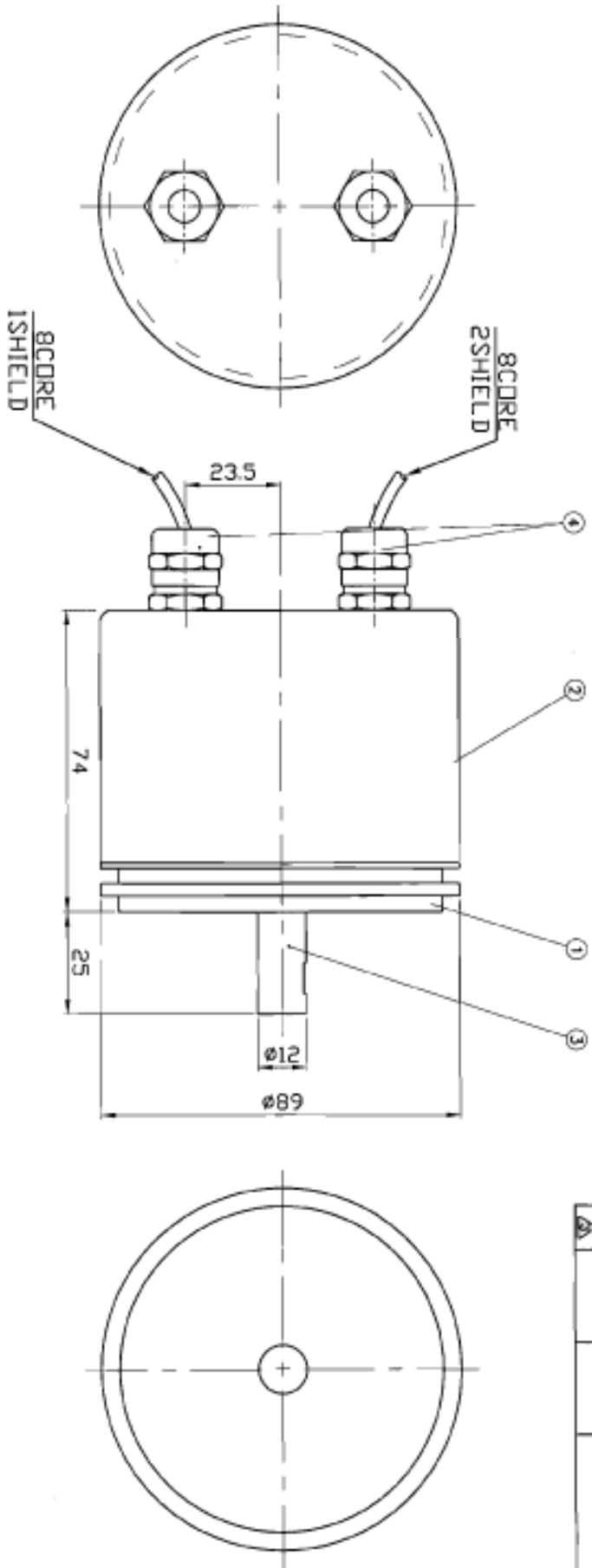
NO.	DESCRIPTION	MATL	QTY	SIZE	REMARKS
4	CABLE GLAND	BS	1	Φ39	
3	SHIRT	SQUARE	1	Φ12	
2	COVER	AL6061	1		
1	SHIRT HOLDER	AL6061	1		

DESIGN	CHECKED	APPROVED
LD/KIM		

SCALE - 1:1.6 UNIT: mm DATE: 2009.12.02 DWG. NO.: SH-90-01042



REV	DATE	BY	DESCRIPTION
1	2009.09.21	LDKM	FIRST ISSUED
2			
3			
4			



- NOTE**
1. PRODUCT : ANGLE ENCODER
  2. MODEL : SES0-D (DOUBLE)
  3. MAKER : SAMHDI IND CO., LTD
  4. TYPE : INCREMENTAL ENCODER
  5. OUT PUT : 1024 PPR
  6. PROTECTION : IP56
  7. VOLTAGE : 12V~36V
  8. MOUNTING PCD : 97.5X13
  9. GENERAL TOLERANCE : KS B 0412

**CABLE CONNECTION**

OUT	COLOR	OUT	COLOR
A	ORANGE	X	WHITE
B	YELLOW	Y	BLACK
Z	BROWN	Z	GRAY
0V	BLUE	+DC24V	RED
SH	SHIELD		

**CABLE CONNECTION**

OUT	COLOR	OUT	COLOR
A	ORANGE	X	WHITE
B	YELLOW	Y	BLACK
Z2	BROWN	Z2	GRAY
0V	BLUE	+DC24V	RED
SH	SHIELD		

NO.	DESCRIPTION	UNIT	QTY	SIZE	REMARKS
4	CABLE GLAND	BS	1	PG9	
3	SHAFT	SCH440	1	φ12	
2	COVER	AL6061	1		
1	SHAFT HOLDER	AL6061	1		

PROJ	NO.	DATE	SCALE	UNIT	DATE	SCALE
ACT1			1:1.5	mm	2009.12.02	