

SHICO. LIQUID LEVEL TRANSMITTER & DISPLAY

MODEL : SH-100 Series

The model SH-100 type is for liquid level indication and alarm transmitter.

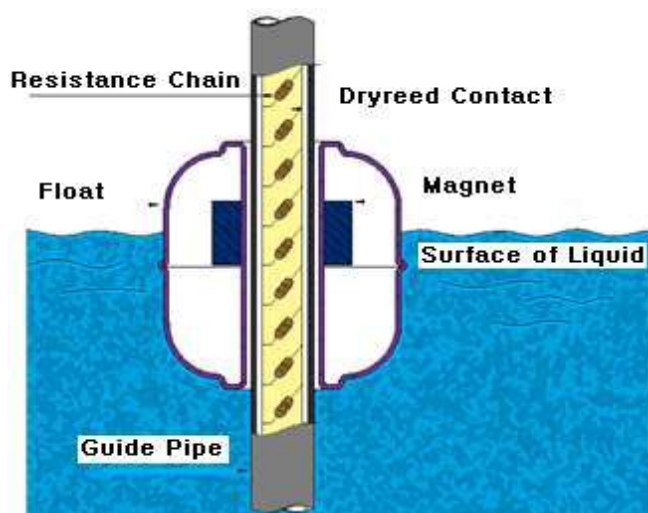
The individual detecting switches in the guide tube have been exchanged against a chain of resistors with reed switches.

■ OPERATING PRINCIPLE

Through magnetic linkage and successive actuation of the reed switches inside the guide tube, the total length of the resistive circuit is modified.

The resulting ohm variation treated in an electronic circuit insures stabilized standard signal.

The ohm variation depends directly upon float position along the guide tube.



■ FEATURES

- Simple in design ruggedly built for long service dependability
- It shows liquid level, but the preset alarm level up to points can also be displayed.
- Remote sensing probe of stainless steel or pointingly chloride construction.
- Voltage and current is as small as 24V 20mA in the sensing probe.
- Sensor length able to be matched to liquid depth.

■ TECHNICAL DATA

- Installation : top mounting
- Mounting size : KS, JIS 100A 10K(6t)
- Mounting method : flange
- Operating pressure : ATM
- Operating temperature : max. 80°C (SUS304)
max. 60°C (P.V.C)
- Specific gravity of liquid : min 0.6
- Material : Body - ALDC
Flange - SUS304
Float - SUS304
Guide pipe - SUS304

■ ELECTRICAL DATA

- Resistance : about 1k Ω
- Max current : 0.03A
- Max voltage : DC 30V
- Output : 0-1mA DC
4-20mA DC (R/I converter use)
- Continuity of the signal voltage level difference : 500mm long 3.0%
1000mm long 1.5%
2000mm long 0.75%
3000mm long 0.5%
- Subject to full scale of indicator

■ STANDARD FEATURES

- Top mounting
- KS, JIS flanges thickness : 6t
- 2-wire system balancing type
- Reed switch type

■ OPTIONAL FEATURES

- Flange ANSI, DIN (P.V.C)
- Control unit and indicator
- Operating pressure : 10Kg/cm²
- Float material : P.V.C.
- Explosion proof : D2 G4
- Local indicator

■ ENCLOSURE TYPE

- Weather proof



SAM HOI INDUSTRIAL CO., LTD.

#48-2, 66-BeonGil, Golden root-Ro, Juchon Myeon, Gimhae-city Gyeongnam, Korea

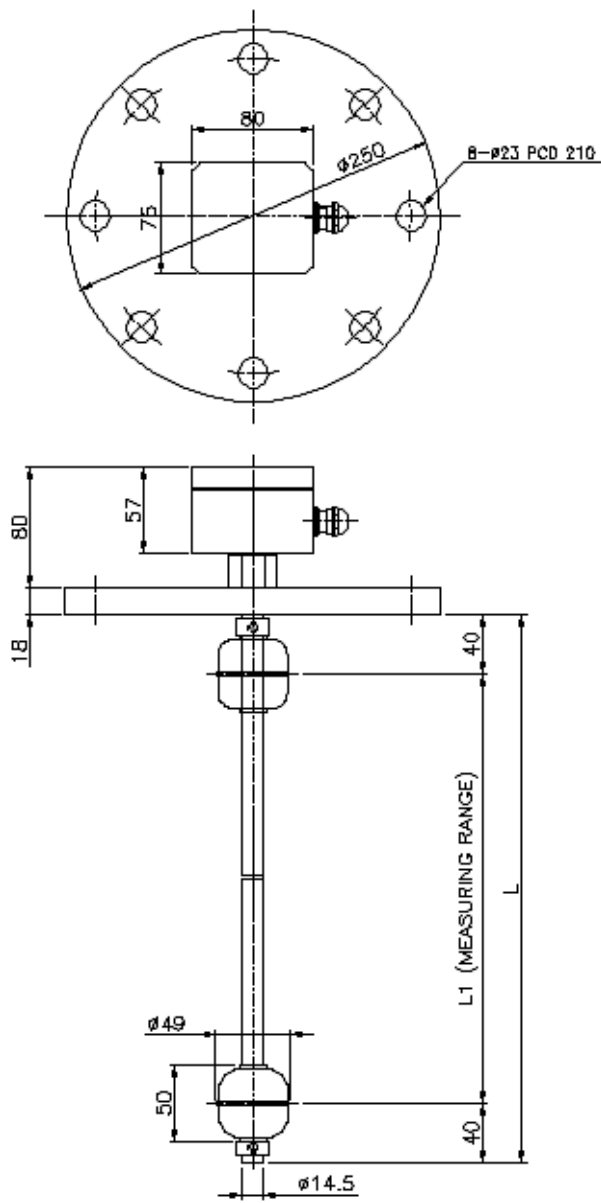
Tel. +82-55-321-0578 Fax. +82-55-321-0573

E-mail: shico007@chol.com Homepage : www.shico.co.kr

SHICO. LIQUID LEVEL TRANSMITTER & DISPLAY

MODEL : SH-100 Series

■ DIMENSIONS

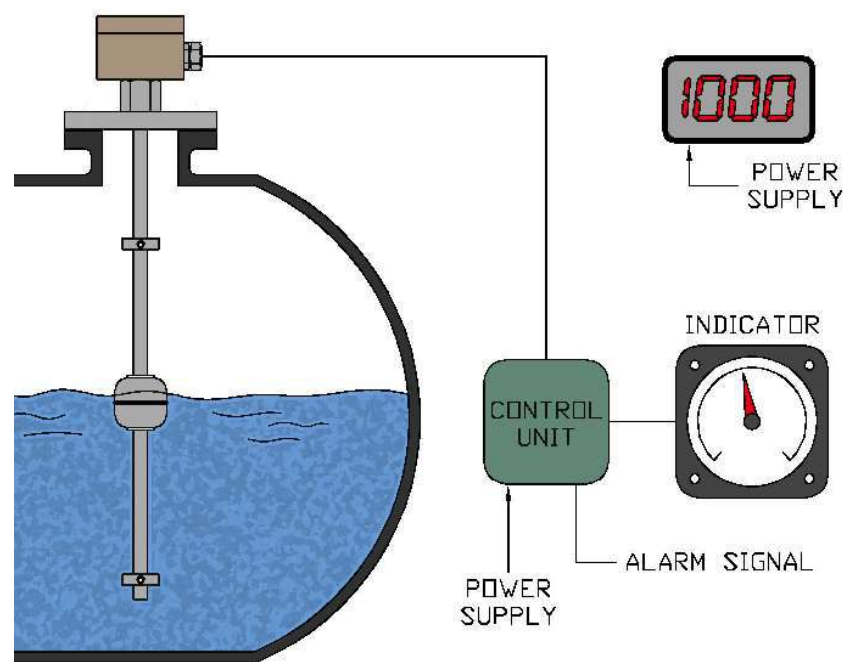


■ ORDERING INFORMATION

SH-100	REED FLOAT	
	CODE	MAT'L
	1	SUS304
	2	SUS316
	3	PVC
	4	TITANIUM
	5	OTHER MAT'L SPECIAL
	CODE	CONNECTION FLANGE & SCREW
	1	10K 80A
	2	10K 100A
	3	10K 125A
	4	SCREW & SPECIAL FLANGE MOUNTING
	CODE	SENSOR LENGTH
	1	SENSOR LENGTH
	2	AVAILABLE
	CODE	OUTPUT
	1	1k Ω
	2	4-20mA
	CODE	LOCAL INDICATOR
	1	NONE
	2	INSERT

SH-100

■ BLOCK DIAGRAM



SAM HOI INDUSTRIAL CO., LTD.

#48-2, 66-BeonGil, Golden root-Ro, Juchon Myeon, Gimhae-city Gyeongnam, Korea
 Tel. +82-55-321-0578 Fax. +82-55-321-0573
 E-mail: shico007@chol.com Homepage : www.shico.co.kr