

SHICO.

SELF-POWER CONTENTS GAUGE

MODEL : SHC-300 Series

■ OPERATING PRINCIPLE

The self-powered contents gauge unit consists of transmitter chamber, capillary tube and indication gauge. The weight of the fluid column in the tank will be transformed into gas pressure in the transmitter chamber.

This gas pressure is transferred a capillary tube onto the indicating gauge, that means the weight of the fluid column in the tank is directly proportional to the indication. In case of over-or under-pressure in the tank is no compensation possible.



■ APPLICATION

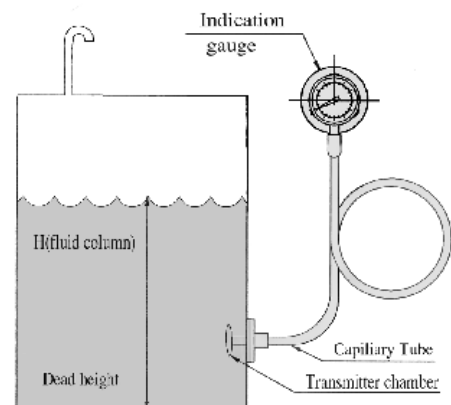
Self-powered content gauge is widely used for Diesel oil, Lube. oil, Heavy fuel oil, Solvents gas oil, Fresh water, and all no corrosive Liquid.

■ FEATURES

- No floats or probes.
- Completely automatic.
- Local indication.
- Requires no external power.

■ SPECIFICATIONS

- **Maximum error** : At reference conditions the maximum error will not exceed $\pm 1.0\%$ of full scale deflection.
- **Range (Tank depths)** : From 1 to 50 meters.
- **Over load** : 100% above maximum range
- **Operating temperature**
 - Indication gauge : -40 to $+70^{\circ}\text{C}$
 - Transmitter chamber : -40 to $+120^{\circ}\text{C}$
- **Indication gauge**
 - Mounting : Wall
 - Diameters : $\varnothing 150\text{mm}$
 - Gauge body Mat'l : Aluminum alloy
 - Graduation : Hight and volume
- **Capillary tube**
 - Material : SUS 304
 - Length : On request(Standard. 4m) 4M

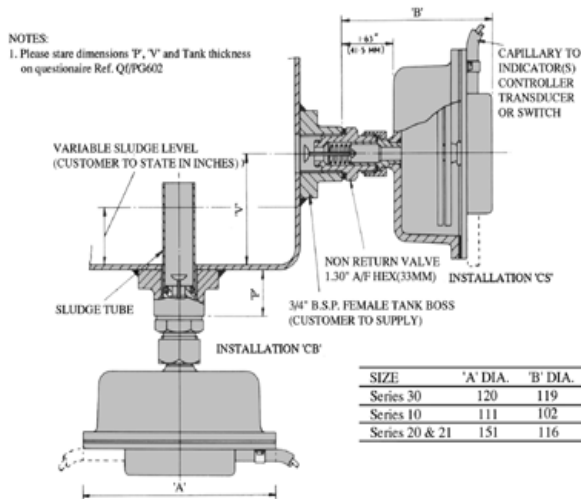


SHICO. SELF-POWER CONTENTS GAUGE

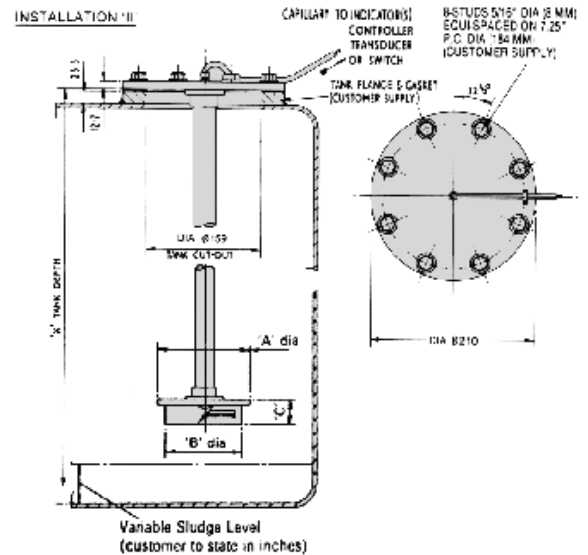
MODEL : SHC-300 Series

■ INSTALLATION DIMENSION

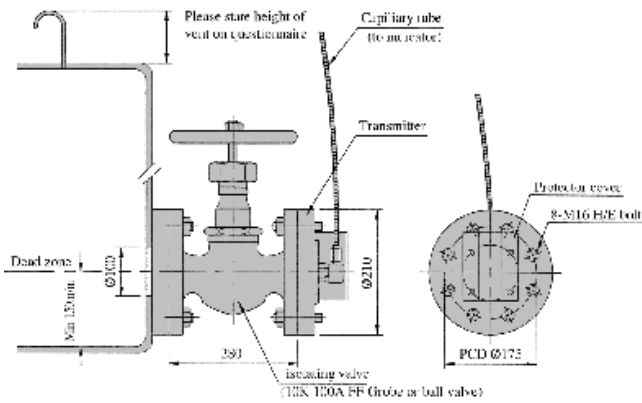
Transmitter(Tank side and bottom mounting)



Transmitter (In tank mounting)

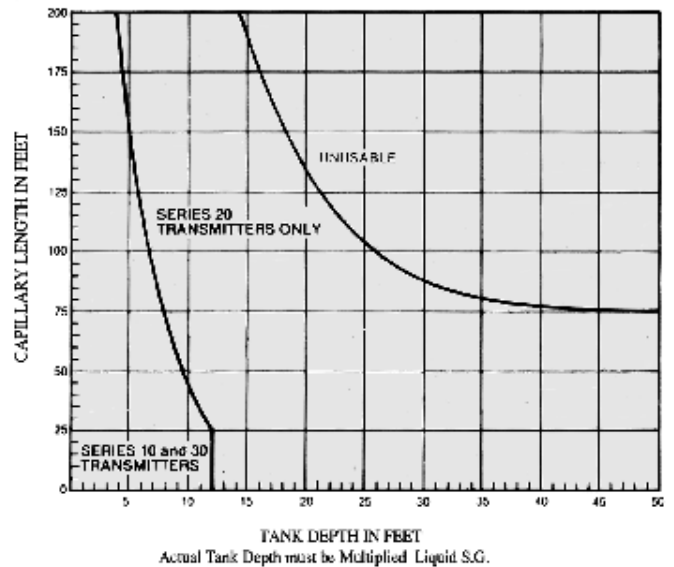


Maintenance Ass'y



■ TRANSMITTER SELECTION CHART

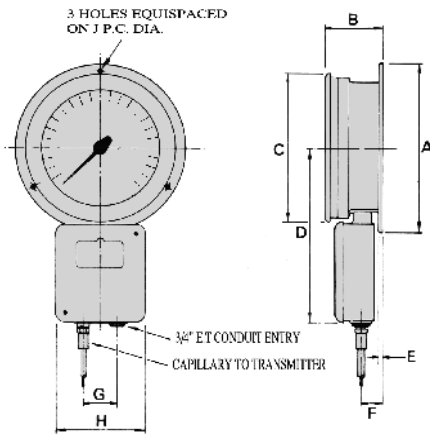
NOTE:
For controllers use Series 20 transmitter
For use in selection of transmitter types IC/III, IC/20, IC, CR/10, CB/20, CS/10, CS/20 and CS/30



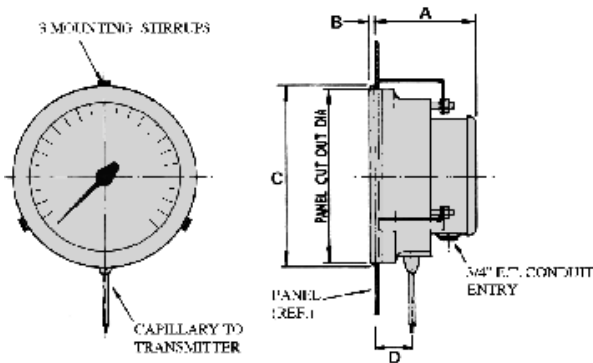
SHICO. SELF-POWER CONTENTS GAUGE

MODEL : SHC-300 Series

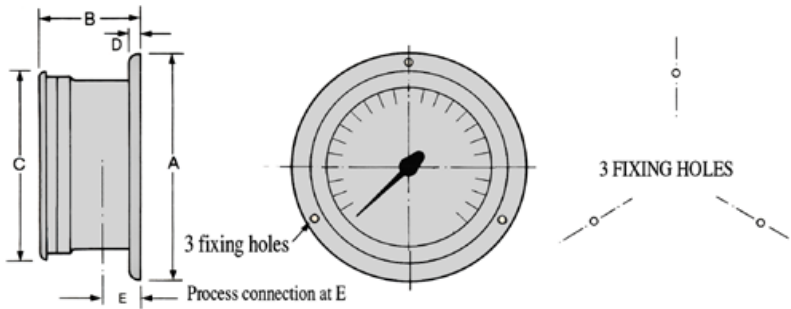
■ OUTLINE/INSTALLATION DIMENSIONS



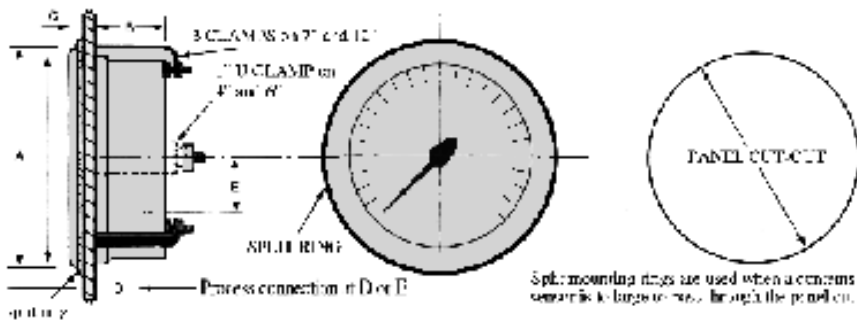
SIZE	A	B	C	D
100	128	45	113	18.7
150	198	54	172	21



SIZE	A	B	C	D
100	12	45	113	18.7
150	15	54	172	21



Size	A	B	C	D	E
100	128	45	113	12	18.7
150	198	54	172	15	21



SIZE	A	B	C	D	E
100	12	45	113	100.5	18.7
150	15	54	172	156	21

Split mounting rings are used when a contents gauge sensor is to be inserted through the panel cut-out.

