

# SHICO

LOCAL INDICATING PRESSURE TRANSMITTER

MODEL : SKP-41,42



**2-wire Loop-powered**

**Flush ceramic diaphragm**

**Front attached display**

**Cost effective**

**High corrosion resistant**

**Compact design**

**High accurate, durable & reliable**

**Wide Measuring Ranges**

**LED 3-digits Local display**

**A wide range of application in ;**

**Food & beverage process controls**

**Chemical industry**

**Machinery for paint, ink, resin & dough process**

**Cosmetic & pulp industries**

**Pharmaceuticals**

## ADVANTAGE

- \* Small indicator with a digital display
- \* Strong polycarbonate case
- \* Piezoresistive Ceramic Sensing Element inside
- \* Easy washing with a flush diaphragm
- \* LED 4 digit display & remote transmission

SAMHOI INDUSTRY CO., LTD.

257-11 3RD FL. AN-DONG GIMHAE KOREA E-MAIL: SHICO@SHICO.CO.KR

PHONE NUMBER : 82-55-321-0578~9 FAX NUMBER : 82-55-321-0573



**TECHINCAL DATA****Input**

Measuring Principle	Piezoresistive Ceramic Pressure Cell
Pressure Reference	Gauge, Absolute, Vacuum & Compound
Measuring Ranges(bar)	Gauge : 0~1, 2, 3, 4, 5, 8, 10, 15, 20, 25, 35 Absolute : 0~1, 2, 5, 10, 20, 35 Vacuum : -1~0 Compound : -1~1, 2, 3, 5, 10, 20, 35 Note : Other ranges are available on request
Over Pressure Limit	1.5 × Full scale without damage

**Output**

Output Signal	4~20mA DC, 2-wire 1~5V, 0~10V DC, 3-wire(Optional)
Local Display	3 Digits, 7-segment digital LED

**Electrical Specification**

Electrical Connection	KP-41 : 4-pin L-plug, DIN 43 650, IP65 KP-42 : Flying lead with PG 9 connector
Excitation Voltage	18~36V DC
Load Resistance max.@24V	500 ohm at 24V
Influence Of Excitation	0.01% FSO/V
Reverse Polarity	Protected
Response Time	≤ 1.5 milliseconds
Adjustment	10 : 1 Range turn-down

**Performance Specification**

Accuracy	±0.5% FSO
Non-linearity	±0.20% FSO typical
Repeatability	±0.20% FSO typical
Pressure Hysteresis	±0.050% FSO typical
Long-term Stability	±0.3% FSO over 6 months
Operation Temperature Range	-40~125 °C
Compensated Temperature Range	0~70 °C

**Physical Specification**

Process Connection	Thread Type : PT, NPT, PF Thread Size : 3/4", 1", 1 1/2" Other connections available such as JIS, ANSI, DIN Flange
Process Media	Gases & liquids compatible with Stainless steel 316 & Ceramic Al <sub>2</sub> O <sub>3</sub> , 96%
Materials	Field case : ALDC Wetted parts : Stainless steel 316 Diaphragm : Ceramic Al <sub>2</sub> O <sub>3</sub> , 96%
Enclosure Rate	IP65

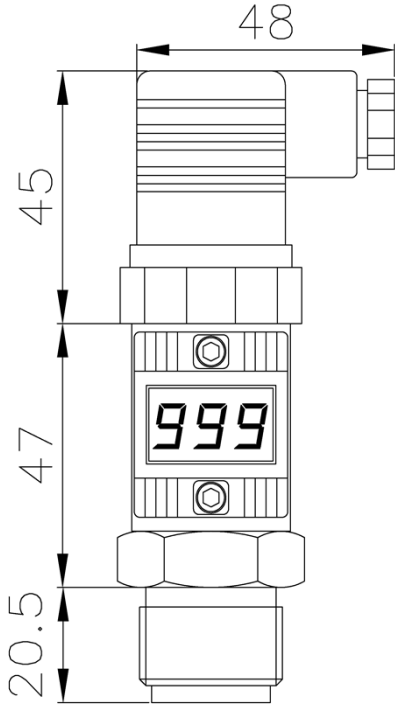
# SHICO

## LOCAL INDICATING PRESSURE TRANSMITTER

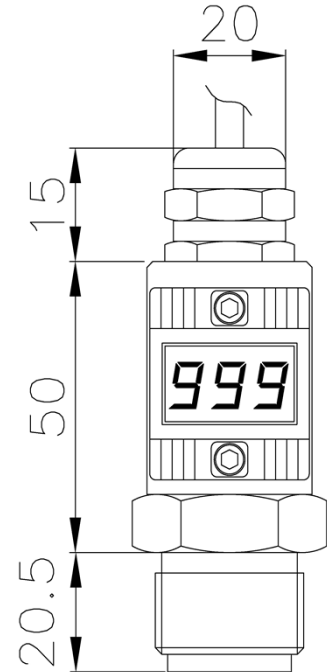
MODEL : SKP-41,42

### DIMENSION

#### SKP-41



#### SKP-42

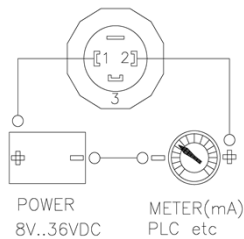


### Electrical Connection(wiring)

#### 2-wire system

4-pin L-plug, DIN 43 650

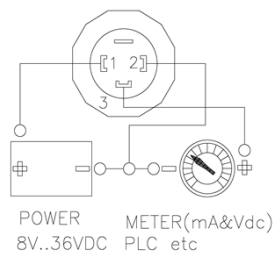
Flying lead



#### 3-wire system

4-pin L-plug, DIN 43 650

Flying lead



## SAMHOI INDUSTRY CO., LTD.

257-11 3RD FL. AN-DONG GIMHAE KOREA E-MAIL: SHICO@SHICO.CO.KR

PHONE NUMBER : 82-55-321-0578~9 FAX NUMBER : 82-55-321-0573



### ORDERING INFORMATION

#### Model

SKP-41 : 4-pin L-plug, DIN 43 650, IP65

SKP-42 : Flying lead, 1.5m, IP67

#### Pressure Reference

- R : Gauge pressure
- A : Absolute pressure
- V : Vacuum
- C : Compound pressure

#### Process Connection Type

- A : NPT
- B : PT
- C : PF
- X : Other types of connection available on request

#### Process Connection Size

- 1 : 3/4"
- 2 : 1"
- 3 : 1 1/2"
- X : others on request

#### Range

- |     |         |     |         |
|-----|---------|-----|---------|
| 110 | : -1~0  | 122 | : -1~1  |
| 111 | : 0~0.1 | 123 | : -1~2  |
| 112 | : 0~0.2 | 124 | : -1~5  |
| 113 | : 0~0.5 | 125 | : -1~10 |
| 114 | : 0~1   | 126 | : -1~15 |
| 115 | : 0~2   | 127 | : -1~20 |
| 116 | : 0~5   | 128 | : -1~25 |
| 117 | : 0~10  | 129 | : -1~35 |
| 118 | : 0~15  |     |         |
| 119 | : 0~20  |     |         |
| 120 | : 0~25  |     |         |
| 121 | : 0~35  |     |         |

#### Unit

- A : kgf/cm<sup>2</sup> or mmHg+kgf/cm<sup>2</sup>
- B : mmHg
- C : bar
- D : psi
- E : Mpa
- F : Kpa
- X : Other calibration unit available on request

#### Output Signal

- 0 : None-output(Only digital gauge)
- 1 : 4~20mA DC, 2-wire
- 2 : 1~5V DC, 3-wire(Optional)

#### Option

- 1 : None
- x : Sealed diaphragm,  
Refer to data sheet No.0416

SKP-41	R	B	3	117	A	1	X
--------	---	---	---	-----	---	---	---

Note 1) Other ranges are available on request.

Note 2) Please mark "abs." for absolute pressure.