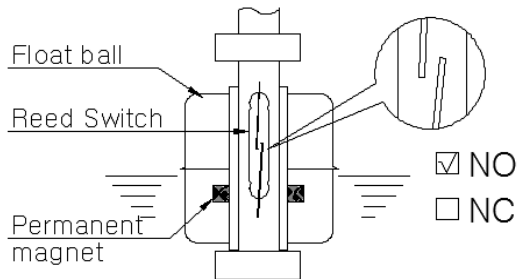


SHICO. FLOAT LEVEL SWITCH

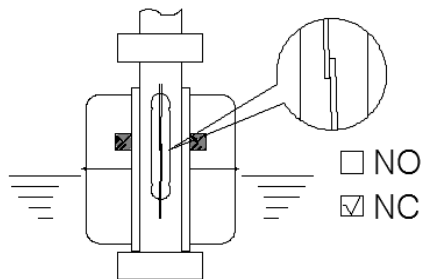
MODEL : SL-30 Series

OPERATING PRINCIPLE

The float level switch of this SL-30 series have a reed switch incorporated in a guide pipe which is to be inserted in a storage tank. The reed switch issues on-off signals by the magnets contained floats change in the liquid level.



Rising float ball to actuate the reed switch



Rising float ball to switch off.

STANDARD FEATURES

- KS, JIS general flange thickness : 6t (SUS 304)
- Designed for top mounting : operating for high or low alarm, cut off or pump control
- Electrical out
- Switch type : Reed Switch
- Ass'y : Chamber

OPTIONAL FEATURES

- Interfacing
- Flange (ANSI, DIN)
- Chamber type (SS41 SUS 304, P.V.C)
- Screw type (SUS 304, P.V.C. SS41)
- Operating pressure : 10Kg/cm²
- Electric switch contacts rated at : AC 110V 5A
- Control Unit
- Explosion Proof d2G4 enclosures

SWITCH CONTACT RATING

- Electric switch contacts rated at :
- AC110V 1A / DC24V 0.5A

ENCLOSURE TYPE

- Weather proof

TECHNICAL DATA

- Installation : Top mounting
- Mounting method : Flange
- Mounting size : KS, JIS 80A 10K(6t)
- Operating pressure : ATM
- Operating temperature : max 80°C (SUS) / 60°C (P.V.C)
- Ambient temperature : max 60°C (SUS) / 50°C (P.V.C)
- Specific Gravity of liquid : min 0.6
- Material : Body - AL,
Flange - SUS 304, SUS 41, P.V.C
Float - SUS 304, P.V.C
Guide pipe - SUS 304, P.V.C

FEATURES

- Designed for top mounting operating for high or low alarm, cut off or pump control.
- Multi point detection is available up to sixth points your option.
- Low cost and simple installation.
- The reed switches here are very reliable with long life
- More than ten million operations.
- The contacts of the reed switch are enclosed in a glass tube with inactive gas so preventing ignition from in flammable gases outside.

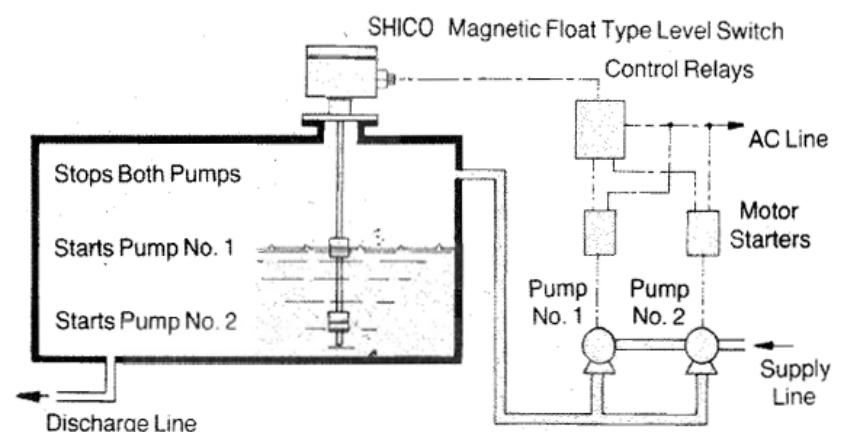
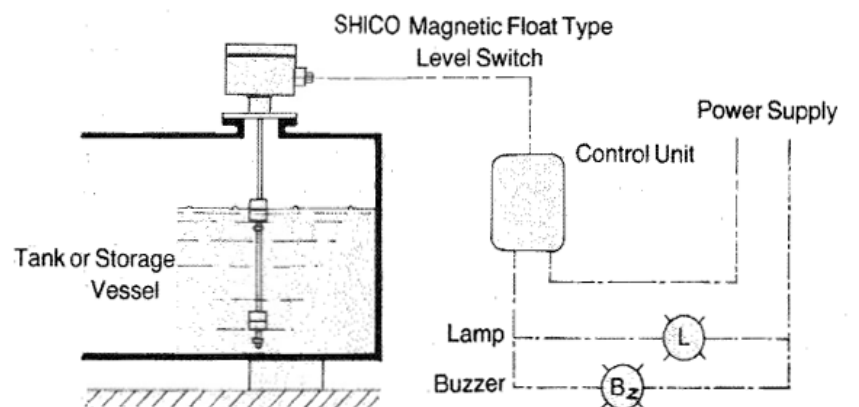


NORMAL TYPE



LEVER TYPE

BLOCK DIAGRAM



SAM HOI INDUSTRIAL CO., LTD.

#48-2, 66-BeonGil, Golden root-Ro, Juchon Myeon, Gimhae-city Gyeongnam, Korea

Tel. +82-55-321-0578 Fax. +82-55-321-0573

E-mail: shico007@chol.com Homepage : www.shico.co.kr

SHICO. FLOAT LEVEL SWITCH

MODEL : SL-30 Series

ORDERING INFORMATION

SL-30(MODEL)	CODE	BODY MATERIAL			
SL-30	1	SS41			
	2	SS304			
	3	P.V.C			
	4	SPECIAL MATERIAL			
		CODE	ALARM/CONTROL POINT		
		1	1 POINT		
		2	2 POINT		
		3	3 POINT		
		4	4 POINT		
		CODE	CONNECTION		
		1	FLANGE SIZE (User Request)		
		CODE	ENCLOSURE		
	A	IP 56			
	B	IP 68			
	C	EXPLOSION PROOF			
	CODE	TYPE			
	1	REED FLOAT ACTION TYPE			
	2	NOZZLE TYPE			

※ Note : Housing can changeable by user request.



SAM HOI INDUSTRIAL CO., LTD.

#48-2, 66-BeonGil, Golden root-Ro, Juchon Myeon, Gimhae-city Gyeongnam, Korea

Tel. +82-55-321-0578 Fax. +82-55-321-0573

E-mail: shico007@chol.com Homepage : www.shico.co.kr

SHICO. FLOAT TYPE LEVEL SWITCH

MODEL : SL-30H Series

■ GENERAL INSTRUCTION

SL-30H is a float-rod type level switch which applies for wide range of pressure and temperature.

SL-30H is suitable for the monitoring of liquids levels in various process tanks, boiler feeding water, Etc.

■ FEATURES

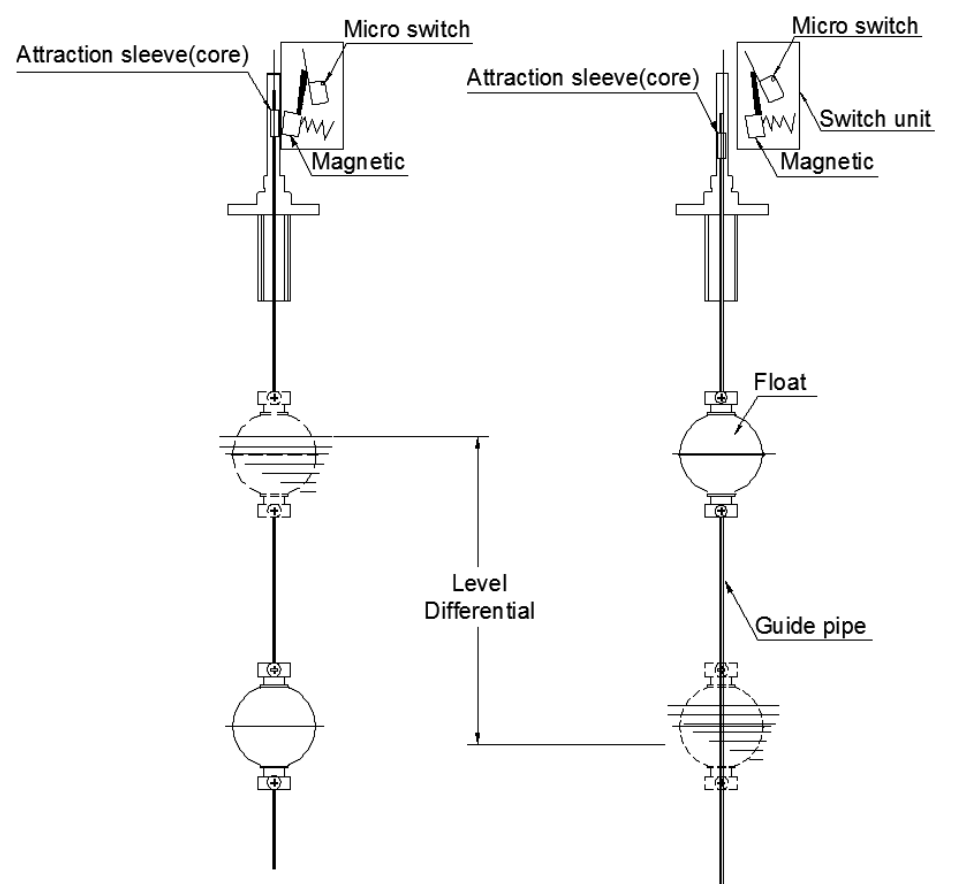
- Wide selection range for pressure and temperature
- Variety of material selection for float and chambers for suitable anti-corrosive capability
- Perfect isolation between pressurized part and electric component by magnetic coupling for high reliability and safety
- In addition to water tight construction, pressure tight and intrinsically safe versions are ready to meet hazardous application
- Especially, pressure-tight flame proof suitable for hydrogen atmosphere(Ex dII T6) is available which eliminates the necessity of safety barriers.

■ APPLICATIONS

- Boiler Feeding drum water control
- Fuel oil tank level control
- Process control for petrochemical plants
- Nuclear power plant process control
- Oil rig's platform
- Sealing liquid level control for generators and turbines
- Other liquid level control



■ OPERATING PRINCIPLE



SAM HOI INDUSTRIAL CO., LTD.

#48-2, 66-BeonGil, Golden root-Ro, Juchon Myeon, Gimhae-city Gyeongnam, Korea

Tel. +82-55-321-0578 Fax. +82-55-321-0573

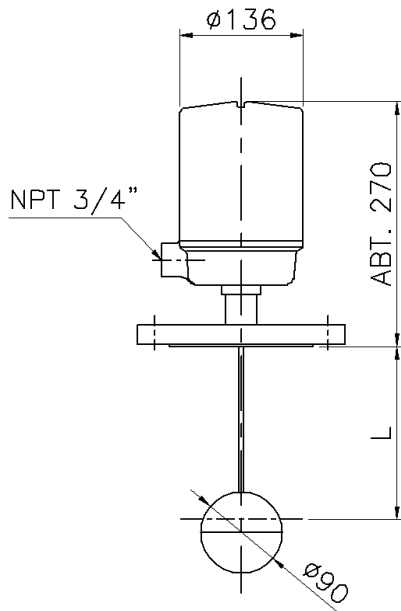
E-mail: shico007@chol.com Homepage : www.shico.co.kr

SHICO. FLOAT TYPE LEVEL SWITCH

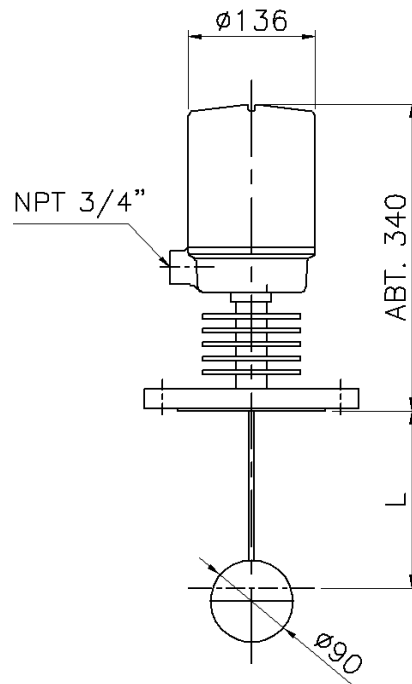
MODEL : SL-30H Series

■ DIMENSION AND INSTALLATION METHOD

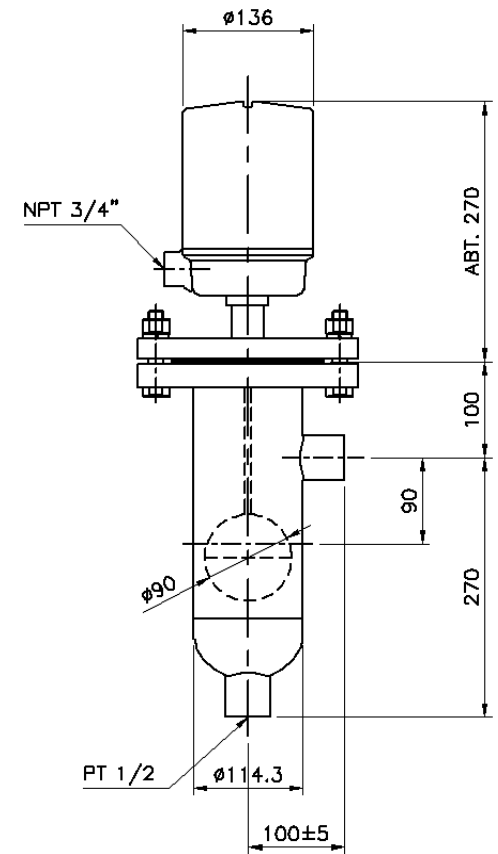
■ Standard



■ Standard (High temperature)



■ THREADED OR SOCKET WELD UPPER SIDE & BOTTOM

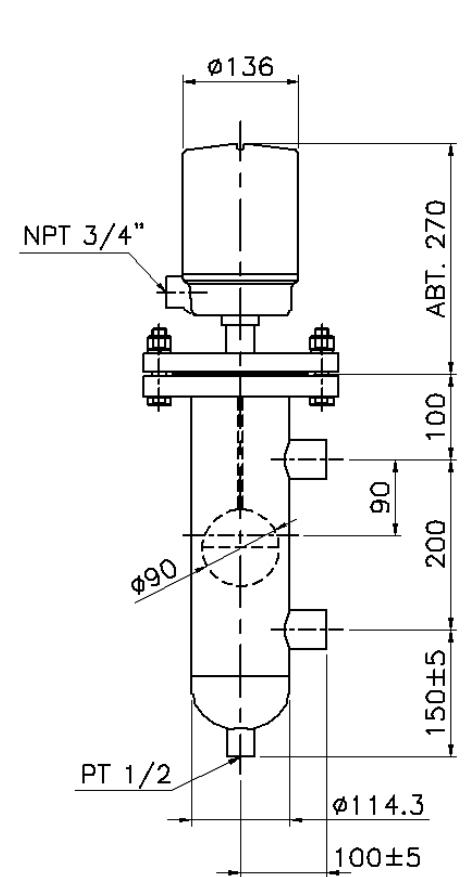
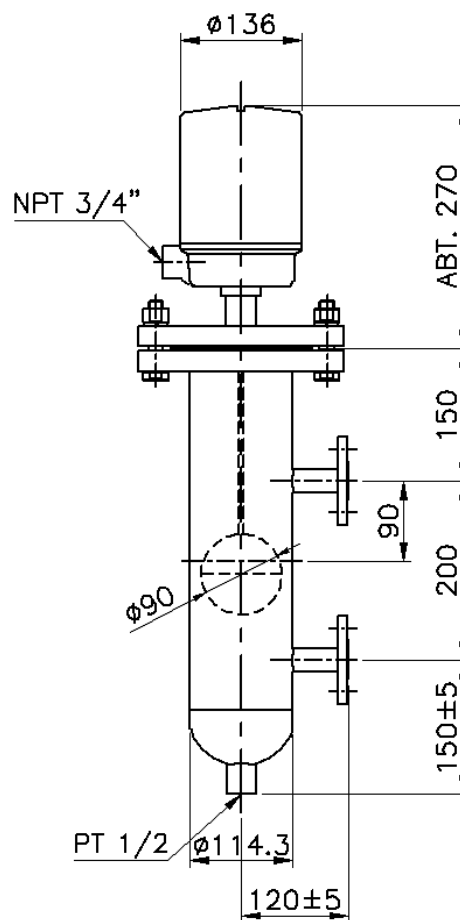
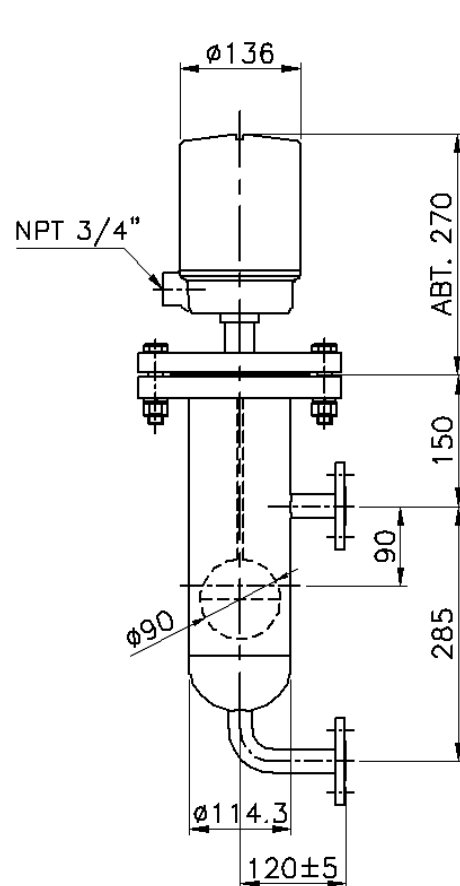
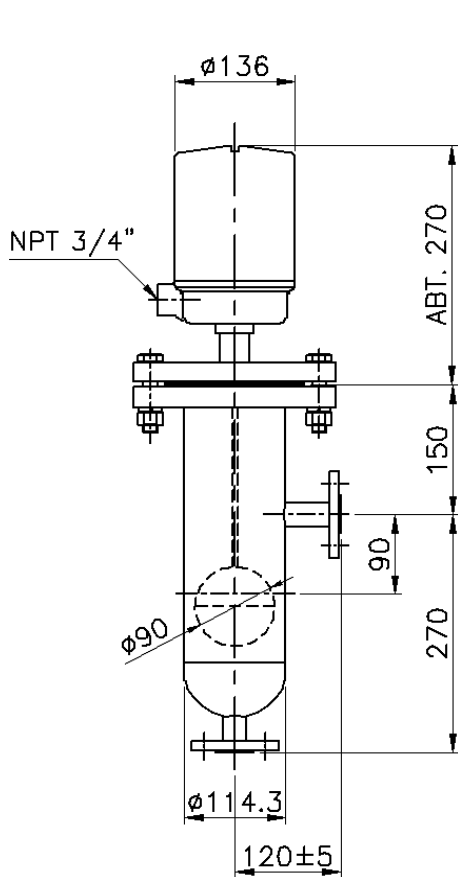


■ VERTICAL FLANGES
UPPER SIDE & BOTTOM

■ HORIZONTAL FLANGES
SIDE & BOTTOM SIDE

■ HORIZONTAL FLANGES
SIDE & SIDE

■ THREADED OR SOCKET
WELD UPPER SIDE & SIDE



SAM HOI INDUSTRIAL CO., LTD.

#48-2, 66-BeonGil, Golden root-Ro, Juchon Myeon, Gimhae-city Gyeongnam,
Korea

Tel. +82-55-321-0578 Fax. +82-55-321-0573

E-mail: shico007@chol.com Homepage : www.shico.co.kr

SHICO. FLOAT TYPE LEVEL SWITCH

MODEL : SL-30H Series

ORDERING INFORMATION

SL-30H (MODEL)	CODE	INSTALLATION TYPE			
	1	STANDARD TYPE			
	2	THREADED OR SOCKET WELD UPPER SIDE & BOTTOM			
	3	VERTICAL FLANGES UPPER SIDE & BOTTOM			
	4	HORIZONTAL FLANGES SIDE & BOTTOM SIDE			
	5	HORIZONTAL FLANGES SIDE & SIDE			
	6	THREADED OF SOCKET WELD UPPER SIDE & SIDE			
		CODE	DUTY		
		1	ALARM		
		2	CONTROL		
		3	ALARM AND CONTROL		
		CODE	FLANGE MOUNT		
		1	10K 65A		
		2	10K 80A		
		3	10K 100A		
		4	10K 125A		
		5	SPECIAL FLANGE		
		CODE	SWITCH MECHANISM		
		1	SPDT		
		2	DPDT		
		3	MERCURY SWITCH		
		CODE	MATERIAL		
		1	SS400		
		2	SS304		
		3	SS316		
		CODE	DUTY		
		1	High Temp Proof		
		2	Weather Proof		
		3	Explosion Proof		
SL-30H	<input type="checkbox"/>	<input type="checkbox"/>	<input type="checkbox"/>	<input type="checkbox"/>	<input type="checkbox"/>

※ Note : Housing can changeable by user request.



SAM HOI INDUSTRIAL CO., LTD.

#48-2, 66-BeonGil, Golden root-Ro, Juchon Myeon, Gimhae-city Gyeongnam,
Korea

Tel. +82-55-321-0578 Fax. +82-55-321-0573

E-mail: shico007@chol.com Homepage : www.shico.co.kr