

SHICO. QUICK LIQUID LEVEL SWITCH

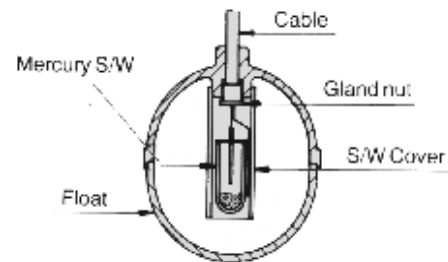
MODEL : SLQ-60 Series



This is cable suspension type float switch designed to offer toughness, long life and ease of use in controlling levels of various liquids in factories, particularly in waste treatment plants.

■ OPERATING PRINCIPLE

The weight, built in the float on the cable side, below then the built-in mercury switch actuates to turn the contacts on.



■ TECHNICAL DATA

- Installation : Top mounting
- Mounting size : KS, JIS 100A 10K
- Operating pressure : ATM
- Operating temperature : max 60°C
- Ambient temperature : AMB
- Material : Body - Aluminum, C
Flange - P.V.C
Float - ABS
- Electrical rating : AC 110V, 1A

■ STANDARD FEATURES

- KS, JIS flanges
- Switch type : Mercury switch
- Top mounting
- Electric output

■ OPTIONAL FEATURES

- Higher pressure and temperature ratings
- Flange : ANSI, DIN Silicon cable
- Adjustable length Float material : SUS304
- Control unit Contact form SPDT

■ FEATURES

- Absence of any exposed metal parts insures high corrosion resistance and long service life.
- Simple in outside shape and construction, this float switch is also usable in soil water containing suspensions and high-viscosity liquid.
- Only one float will give on-off signals at both lower and top levels.
- Tumbling of float is made in a monument, therefore, no chattering of signal will occur.
- Controlling depth is easily adjusted at the actual working place.
- Even for the flowing liquids, wrong signal will not be made.
- Simple mounting, as it is only to hang down from tank.

■ ENCLOSURE TYPE

Weather proof

■ SWITCH CONTACT RATING

Electric switch contact rated at : AC110V 1A



SAM HOI INDUSTRIAL CO., LTD.

#257-11 An-dong Gimhae-city Gyeongnam, Korea

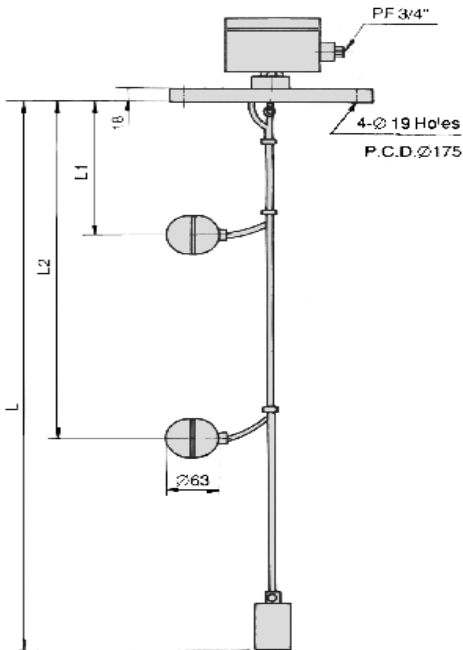
Tel. +82-55-321-0578~9 Fax. +82-55-321-0573

E-mail: shico007@chol.com Homepage : www.shico.co.kr

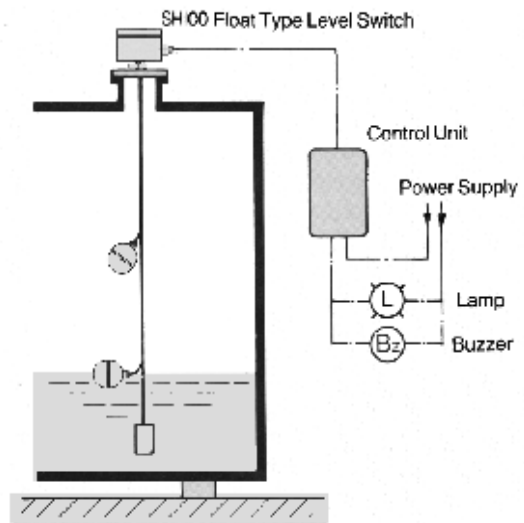
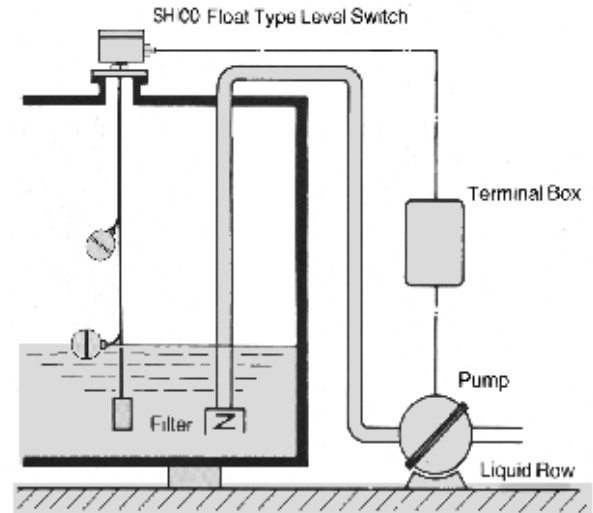
SHICO. QUICK LIQUID LEVEL SWITCH

MODEL : SLQ-60 Series

■ DIMENSIONS



■ BLOCK DIAGRAM



■ ORDERING INFORMATION

CODE	MATERIAL
1	P.V.C
2	SUS 304

CODE	ALARM/CONTROL POINT
1	1 POINT
2	2 POINT
3	3 POINT
4	4 POINT

CODE	FLANGE
1	10K 65A
2	10K 80A
3	10K 100A

CODE	CONTROL UNIT
0	WITH OUT
1	WITH

SLQ-60



SAM HOI INDUSTRIAL CO., LTD.

#257-11 An-dong Gimhae-city Gyeongnam, Korea

Tel. + 82-55-321-0578~9 Fax. + 82-55-321-0573

E-mail: shico007@chol.com Homepage : www.shico.co.kr