

SHICO. SIGHT GLASS

MODEL : SSG Series



■ GENERAL FEATURE

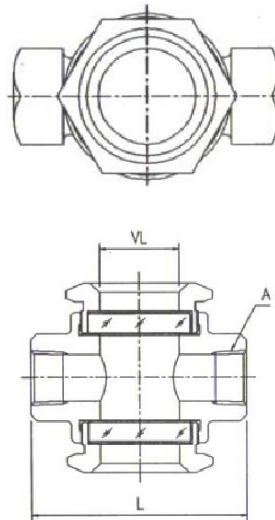
- Sight Glass is used for monitoring the running of a fluid in tubes and pipelines.
Flapper or Ball may be mounted for easier observation according to the fluid parameters.
- Lantern Type Sight Glass is used for the observation of the media with slurry and a flow of powder.
The same inside diameter as pipeline may be kept, the scale may also be drawn on the outside glass on request.

■ DIMENSION & SPECIFICATION

○ THROUGH TYPE SIGHT GLASS

● SSG-1FA

- CONNECTION : SCREWED END
- MAX PRESSURE : 30 kgf/cm²
- MAX TEMPERATURE : 300°C
- GLASS : TEMPERED GLASS



■ DIMENSION

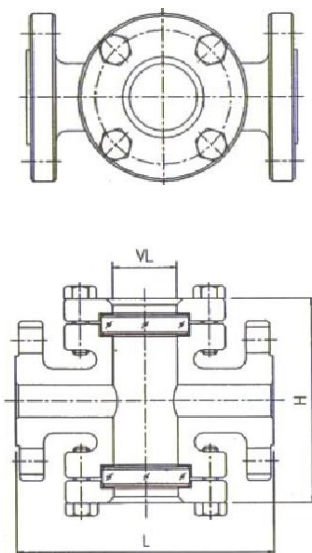
SIZE A(in)	L	H (Approx.)	VL
8 (1/4)	100	70	30
10 (3/8)	100	70	30
15 (1/2)	120	95	40
20 (3/4)	120	95	40
25 (1)	130	115	50
32 (1 1/4)	145	130	65
40 (1 1/2)	145	130	65
50 (2)	160	140	80

■ MATERIAL

BODY
FC20 (CAST IRON)
SCS13 (CAST STAINLESS STEEL)
SCS14 (CAST STAINLESS STEEL)
SCS16 (CAST STAINLESS STEEL)
SCPH2 (CAST STEEL)

● SSG-1FB

- CONNECTION : FLANGED END
- MAX PRESSURE : 30 kgf/cm²
- MAX TEMPERATURE : 300°C
- GLASS : TEMPERED GLASS



■ DIMENSION

SIZE A(in)	L	H (Approx.)	VL
15 (1/2)	155	125	40
20 (3/4)	155	125	40
25 (1)	170	135	50
32 (1 1/4)	200	155	65
40 (1 1/2)	200	155	65
50 (2)	220	170	75
65 (2 1/2)	270	205	105
80 (3)	270	205	105
100 (4)	320	235	130
125 (5)	380	280	170
150 (6)	420	330	200
200 (8)	500	380	250

■ MATERIAL

BODY
FC20 (CAST IRON)
SCS13 (CAST STAINLESS STEEL)
SCS14 (CAST STAINLESS STEEL)
SCS16 (CAST STAINLESS STEEL)
SCPH2 (CAST STEEL)



SAM HOI INDUSTRIAL CO., LTD.

#48-2, 66-BeonGil, Golden root-Ro, Juchon Myeon, Gimhae-city Gyeongnam, Korea

Tel. +82-55-321-0578 Fax. +82-55-321-0573

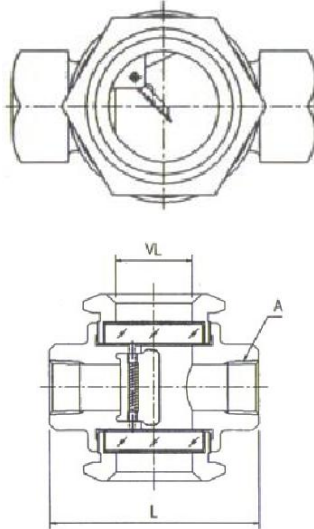
E-mail: shico@shico.co.kr Homepage : www.shico.co.kr

■ DIMENSION & SPECIFICATION

○ FLAPPER TYPE SIGHT GLASS

● SSG-2FA

- CONNECTION : SCREWED END
- MAX PRESSURE : 30 kgf/cm²
- MAX TEMPERATURE : 300°C
- GLASS : TEMPERED GLASS



■ DIMENSION

SIZE A(in)	L	H (Approx.)	VL
8 (1/4)	100	70	30
10 (3/8)	100	70	30
15 (1/2)	120	95	40
20 (3/4)	120	95	40
25 (1)	130	115	50
32 (11/4)	145	130	65
40 (11/2)	145	130	65
50 (2)	160	140	80

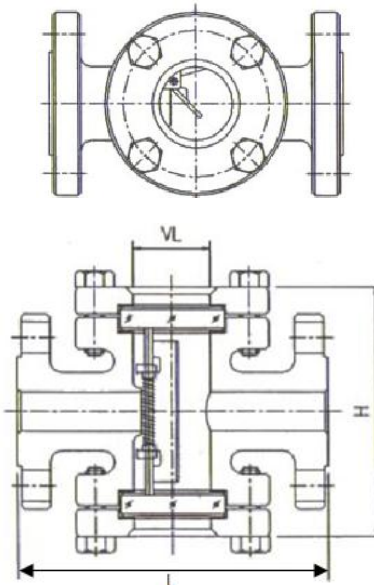
■ MATERIAL

BODY
FC20 (CAST IRON)
SCS13 (CAST STAINLESS STEEL)
SCS14 (CAST STAINLESS STEEL)
SCS16 (CAST STAINLESS STEEL)
SCPH2 (CAST STEEL)

※ Sight Glass with Flapper makes it easy to monitor the state of fluid flow by opening and closing the flapper.

● SSG-2FB

- CONNECTION : FLANGED END
- MAX PRESSURE : 30 kgf/cm²
- MAX TEMPERATURE : 300°C
- GLASS : TEMPERED GLASS



■ DIMENSION

SIZE A(in)	L	H (Approx.)	VL
15 (1/2)	155	125	40
20 (3/4)	155	125	40
25 (1)	170	135	50
32 (11/4)	200	155	65
40 (11/2)	200	155	65
50 (2)	220	170	75
65 (21/2)	270	205	105
80 (3)	270	205	105
100 (4)	320	235	130
125 (5)	380	280	170
150 (6)	420	330	200
200 (8)	500	380	260

■ MATERIAL

BODY
FC20 (CAST IRON)
SCS13 (CAST STAINLESS STEEL)
SCS14 (CAST STAINLESS STEEL)
SCS16 (CAST STAINLESS STEEL)
SCPH2 (CAST STEEL)



SAM HOI INDUSTRIAL CO., LTD.

#48-2, 66-BeonGil, Golden root-Ro, Juchon Myeon, Gimhae-city Gyeongnam, Korea

Tel. +82-55-321-0578 Fax. +82-55-321-0573

E-mail: shico@shico.co.kr Homepage : www.shico.co.kr

SHICO. SIGHT GLASS

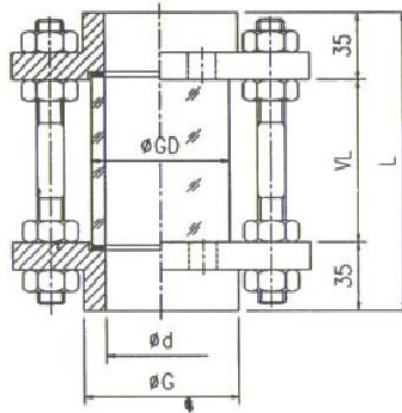
MODEL : SSG Series

■ DIMENSION & SPECIFICATION

○ LANTERN TYPE SIGHT GLASS

● SSG-3FA

- CONNECTION : FLANGED END
- MAX PRESSURE : 7 kgf/cm²
- MAX TEMPERATURE : 100°C
- GLASS : HARD GLASS



■ MATERIAL

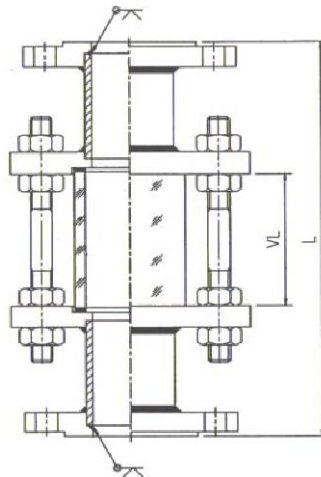
BODY
SS400 (STEEL PLATE)
SUS304 (STAINLESS STEEL PLATE)
SUS316 (STAINLESS STEEL PLATE)
SUS316L (STAINLESS STEEL PLATE)

■ DIMENSIONS

SIZE A(in)	L	VL
15 (1/2)	220	75
20 (3/4)	220	75
25 (1)	220	75
32 (1 1/4)	220	75
40 (1 1/2)	220	75
50 (2)	240	75
65 (2 1/2)	240	75
80 (3)	240	75
100 (4)	260	75
125 (5)	280	75
150 (6)	280	75
200 (8)	280	75

● SSG-3FB

- CONNECTION : FLANGED END
- MAX PRESSURE : 7 kgf/cm²
- MAX TEMPERATURE : 100°C
- GLASS : HARD GLASS



■ MATERIAL

BODY
SS400 (STEEL PLATE)
SUS304 (STAINLESS STEEL PLATE)
SUS316 (STAINLESS STEEL PLATE)
SUS316L (STAINLESS STEEL PLATE)

- ※ Lantern Glass is used for low pressure and can be checked the state of fluid flow from any direction

■ DIMENSIONS

SIZE	L	VL	Φ GD	Φ d	Φ G
15	150	75	35	15	40
20	150	75	40	20	50
25	150	75	45	25	60
32	150	75	60	32	75
40	150	75	60	40	75
50	150	75	65	50	90
65	150	75	85	65	110
80	150	75	100	80	120
100	150	75	125	100	145
125	150	75	150	125	175
150	150	75	180	150	210
200	150	75	230	200	260

SAM HOI INDUSTRIAL CO., LTD.



#48-2, 66-BeonGil, Golden root-Ro, Juchon Myeon, Gimhae-city Gyeongnam, Korea

Tel. +82-55-321-0578 Fax. +82-55-321-0573

E-mail: shico@shico.co.kr Homepage : www.shico.co.kr