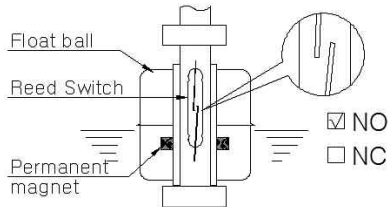


SHICO. FLOAT LEVEL SWITCH

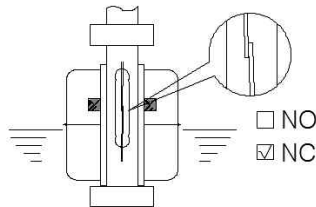
MODEL : SL-30 Series

■ OPERATING PRINCIPLE

SL-30 series operate with an internal magnetic reed switch and an external magnetic field mounted in the float. Inside the stem, there is an individual, hermetically sealed, electrically insulated, magnetically activated dry contact reed switch. The float on the outside of the stem provides the magnetic field to activate the internal reed switch.



Rising float ball to actuate the reed switch



Rising float ball to switch off.



■ STANDARD FEATURES

- KS, JIS general flange thickness : 6t (SUS 304)
- Designed for top mounting : operating for high or low alarm, cut off or pump control
- Electrical out
- Switch type : Reed Switch
- Ass'y : Chamber

■ OPTIONAL FEATURES

- Interfacing
- Flange (ANSI, DIN)
- Chamber type (SS400 SUS 304, P.V.C)
- Screw type (SUS 304, P.V.C. SS400)
- Operating pressure : 10Kg/cm²
- Electric switch contacts rated at : AC 110V 5A
- Control Unit
- Explosion Proof d₂G4 enclosures

■ SWITCH CONTACT RATING

- Electric switch contacts rated at : AC110V 1A / DC24V 0.5A

■ ENCLOSURE TYPE

- Weather proof

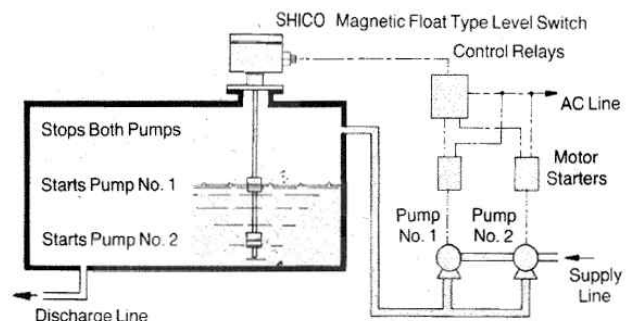
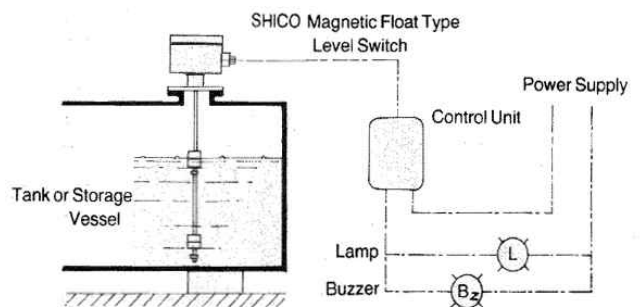
■ TECHNICAL DATA

- Installation : Top mounting
- Mounting method : Flange
- Mounting size : KS, JIS 80A 10K(6t)
- Operating pressure : ATM
- Operating temperature : max 80°C (SUS) / 60°C (P.V.C)
- Ambient temperature : max 60°C (SUS) / 50°C (P.V.C)
- Specific Gravity of liquid : min 0.6
- Material : Body - AL,
Flange - SUS 304, SUS 400, P.V.C
Float - SUS 304, P.V.C
Guide pipe - SUS 304, P.V.C

■ FEATURES

- Designed for top mounting operating for high or low alarm, cut off or pump control.
- Multi point detection is available up to sixth points depending on your option.
- Low cost and simple installation.
- The reed switches here are very reliable with long life
- More than millions of on/off cycles.
- The contacts of the reed switch are enclosed in a glass tube with inactive gas so preventing ignition from in flammable gases outside.

■ BLOCK DIAGRAM



SAM HOI INDUSTRIAL CO., LTD.

#48-2, 66-BeonGil, Golden root-Ro, Juchon Myeon, Gimhae-city Gyeongnam, Korea

Tel. +82-55-321-0578 Fax. +82-55-321-0573

E-mail: shico007@chol.com Homepage : www.shico.co.kr

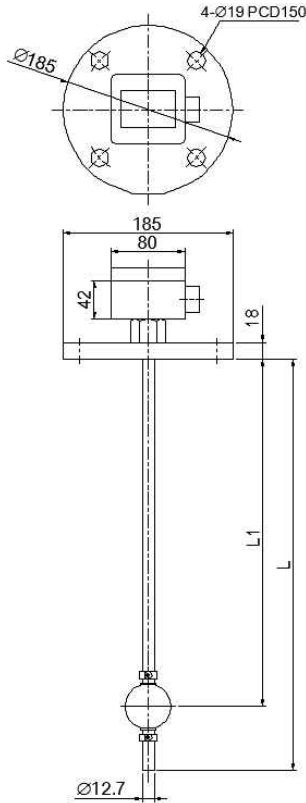
B-3

SHICO. FLOAT LEVEL SWITCH

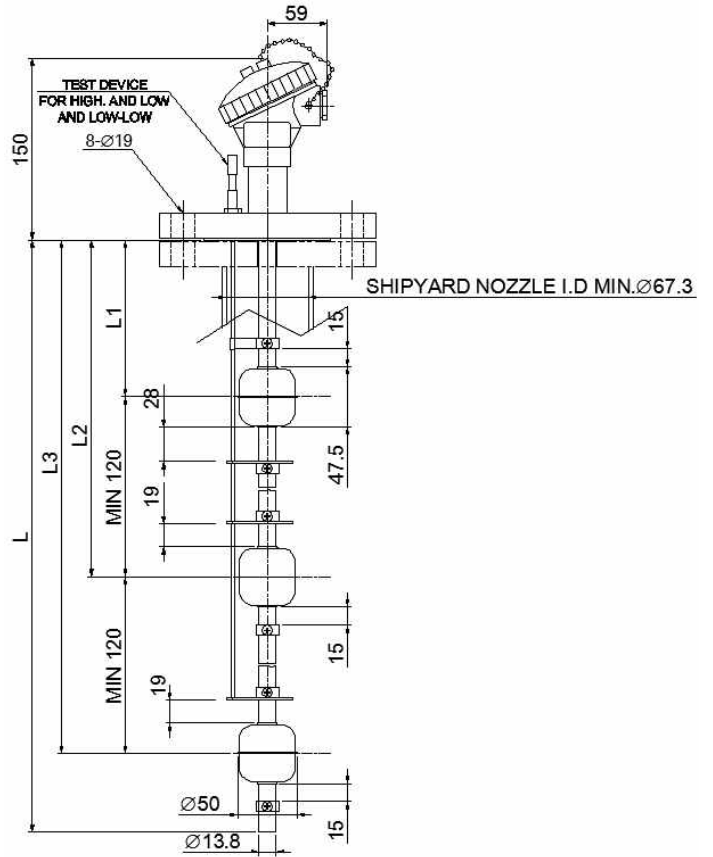
MODEL : SL-30 Series

■ DIMENSIONS

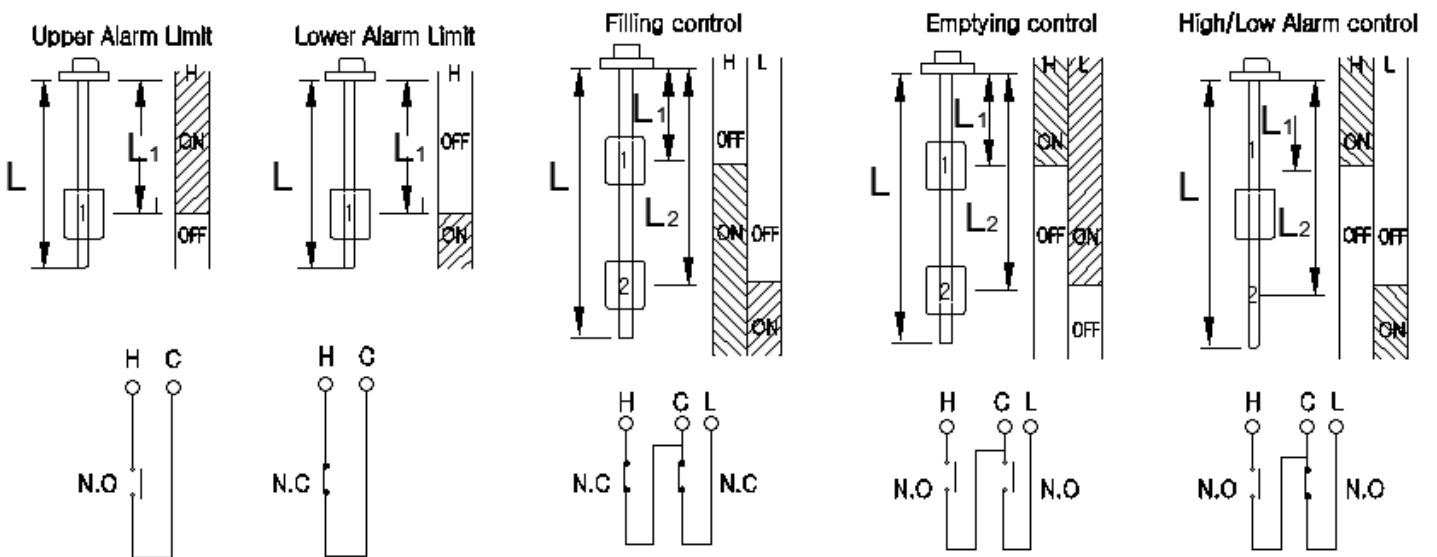
□ FLOAT AND REED COUPLING ACTION TYPE



■ LEVER TYPE



■ OPERATING SEQUENCE



SAM HOI INDUSTRIAL CO., LTD.

#48-2, 66-BeonGil, Golden root-Ro, Juchon Myeon, Gimhae-city Gyeongnam,
Korea

Tel. +82-55-321-0578 Fax. +82-55-321-0573

E-mail: shico007@chol.com Homepage : www.shico.co.kr

B-4

SHICO. FLOAT LEVEL SWITCH

MODEL : SL-30 Series

■ ORDERING INFORMATION

SL-30(MODEL)	CODE	BODY MATERIAL				
 	1	SS41				
	2	SS304				
	3	P.V.C				
	4	SPECIAL MATERIAL				
		CODE	ALARM/CONTROL POINT			
		1	1 POINT			
		2	2 POINT			
		3	3 POINT			
		4	4 POINT			
			CODE	CONNECTION		
			1	FLANGE SIZE (User Request)		
				CODE	ENCLOSURE	
			A	IP 56		
			B	IP 68		
			C	EXPLOSION PROOF		
			CODE	TYPE		
			1	REED FLOAT ACTION TYPE		
			2	NOZZLE TYPE		
SL-30						

※ Note : Housing can changeable by user request.



SAM HOI INDUSTRIAL CO., LTD.

#48-2, 66-BeonGil, Golden root-Ro, Juchon Myeon, Gimhae-city Gyeongnam, Korea

Tel. +82-55-321-0578 Fax. +82-55-321-0573

E-mail: shico007@chol.com Homepage : www.shico.co.kr

B-5

■ GENERAL DESCRIPTION

SL-30H is a vertical float actuated level switch which applies for wide range of pressure and temperature. SL-30H is suitable for the monitoring of liquids levels in various process tanks, boiler feeding water, Etc.

■ FEATURES

- Wide selection range for pressure and temperature
- Variety of material selection for float and chambers for suitable anti-corrosive capability
- Perfect isolation between pressurized part and electric component by magnetic coupling for high reliability and safety
- In addition to water tight construction, pressure tight and intrinsically safe versions are ready to meet hazardous application
- Especially, pressure-tight flame proof suitable for hydrogen atmosphere(Ex dII T6) is available which eliminates the necessity of safety barriers.

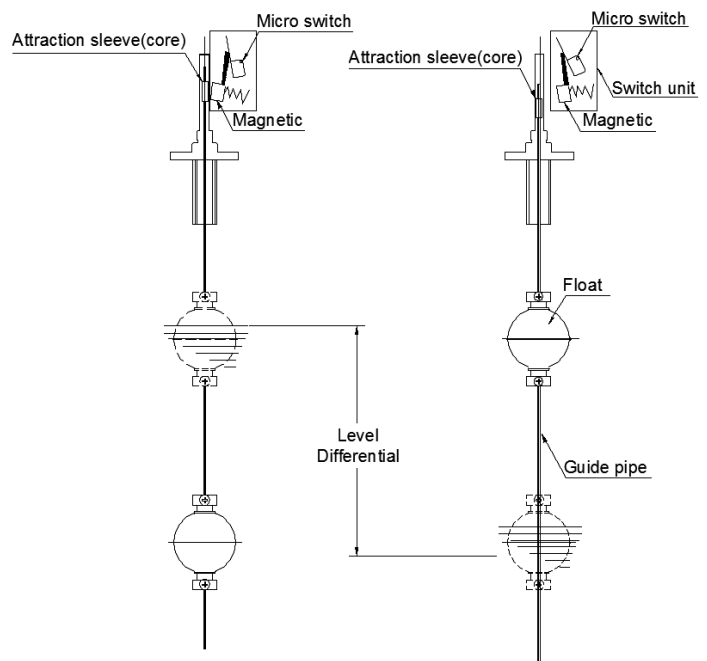
■ APPLICATIONS

- Boiler Feeding drum water control
- Fuel oil tank level control
- Process control for petrochemical plants
- Nuclear power plant process control
- Oil rig's platform
- Sealing liquid level control for generators and turbines
- Other liquid level control



■ OPERATING PRINCIPLE

The buoyancy force of a process liquid on the float causes the float to move with the liquid surface. The movement of the float moves an attraction sleeve into the field of the switch magnet, pulling the magnet toward the sleeve and actuating the switch.



SAM HOI INDUSTRIAL CO., LTD.

#48-2, 66-BeonGil, Golden root-Ro, Juchon Myeon, Gimhae-city Gyeongnam, Korea

Tel. +82-55-321-0578 Fax. +82-55-321-0573

E-mail: shico007@chol.com Homepage : www.shico.co.kr

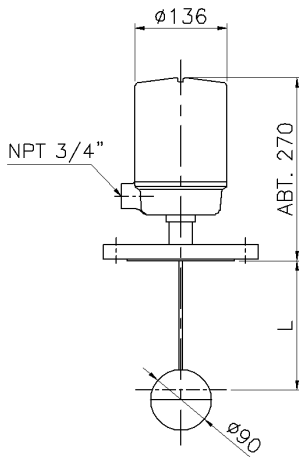
SHICO.

MODEL : SL-30H Series

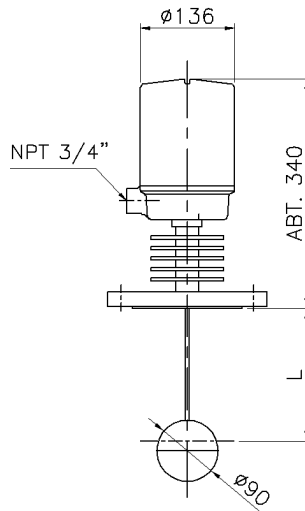
FLOAT TYPE LEVEL SWITCH (VERTICAL FLOAT ACTUATED)

■ DIMENSION AND INSTALLATION METHOD

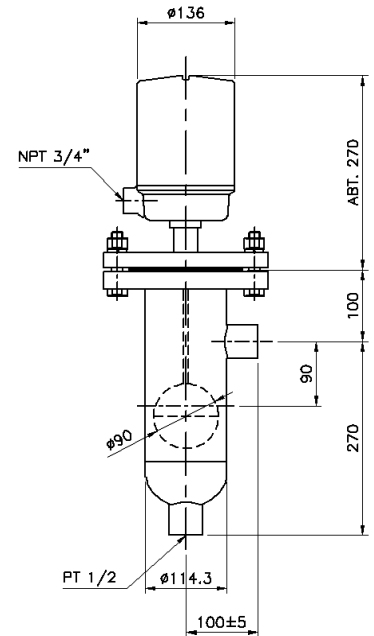
■ Standard



■ Standard (High temperature)



■ THREADED OR SOCKET WELDED TOP & BOTTOM

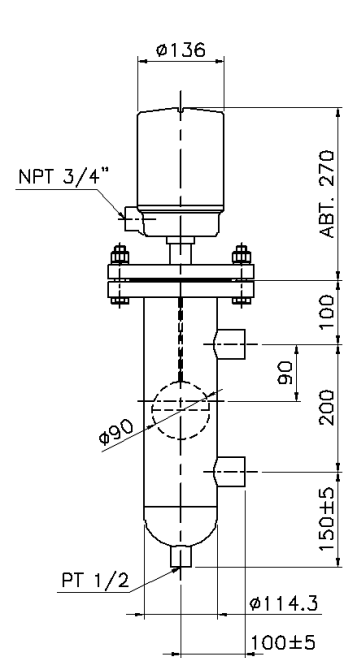
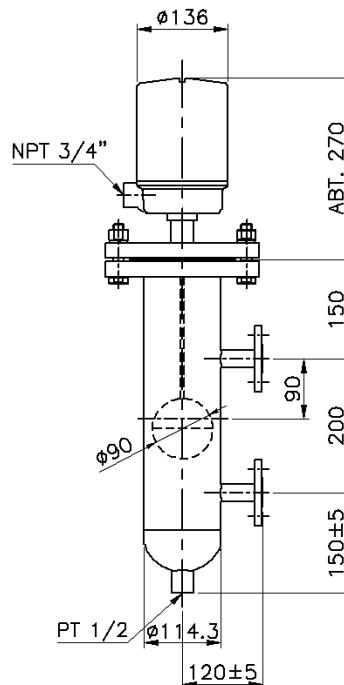
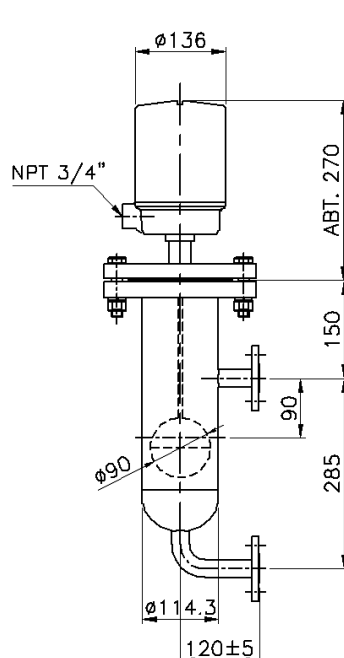
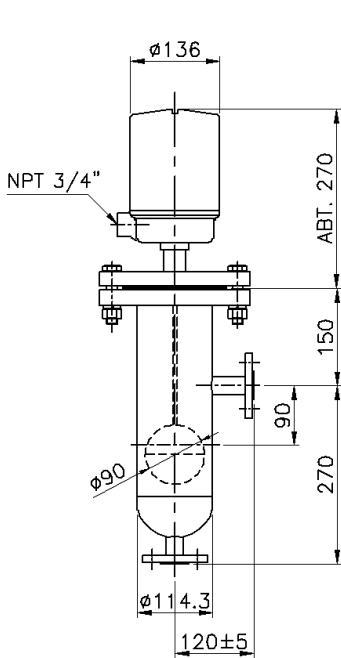


■ VERTICAL FLANGES TOP & BOTTOM

■ HORIZONTAL FLANGES SIDE & BOTTOM

■ HORIZONTAL FLANGES SIDE

■ THREADED OR SOCKET WELDED TOP & SIDE



SAM HOI INDUSTRIAL CO., LTD.

#48-2, 66-BeonGil, Golden root-Ro, Juchon Myeon, Gimhae-city Gyeongnam, Korea

Tel. +82-55-321-0578 Fax. +82-55-321-0573

E-mail: shico007@chol.com Homepage : www.shico.co.kr

B-7

SHICO.

MODEL : SL-30H Series

FLOAT TYPE LEVEL SWITCH (VERTICAL FLOAT ACTUATED)

ORDERING INFORMATION

SL-30H (MODEL)	CODE	INSTALLATION TYPE
	1	STANDARD TYPE
	2	THREADED OR SOCKET WELD UPPER SIDE & BOTTOM
	3	VERTICAL FLANGES UPPER SIDE & BOTTOM
	4	HORIZONTAL FLANGES SIDE & BOTTOM SIDE
	5	HORIZONTAL FLANGES SIDE & SIDE
	6	THREADED OF SOCKET WELD UPPER SIDE & SIDE
		CODE DUTY
	1	ALARM
	2	CONTROL
	3	ALARM AND CONTROL
		CODE FLANGE MOUNT
	1	10K 65A
	2	10K 80A
	3	10K 100A
	4	10K 125A
	5	SPECIAL FLANGE
		CODE SWITCH MECHANISM
	1	SPDT
	2	DPDT
	3	MERCURY SWITCH
		CODE MATERIAL
	1	SS400
	2	SS304
	3	SS316
		CODE DUTY
	1	High Temp Proof
	2	Weather Proof
	3	Explosion Proof
SL-30H	<input type="checkbox"/>	<input type="checkbox"/>
	<input type="checkbox"/>	<input type="checkbox"/>
	<input type="checkbox"/>	<input type="checkbox"/>
	<input type="checkbox"/>	<input type="checkbox"/>
	<input type="checkbox"/>	<input type="checkbox"/>
	<input type="checkbox"/>	<input type="checkbox"/>

※ Note : Housing can changeable by user request.



SAM HOI INDUSTRIAL CO., LTD.

#48-2, 66-BeonGil, Golden root-Ro, Juchon Myeon, Gimhae-city Gyeongnam, Korea

Tel. +82-55-321-0578 Fax. +82-55-321-0573

E-mail: shico007@chol.com Homepage : www.shico.co.kr

B-8