

SHICO. TANK LEVEL GAUGE WITH TRANSMITTER

MODEL : SLT-1100 Series

INSTRUCTION

MODEL SLT-1100 Tank Level Gauge for liquid level measuring system has robust function over local and remote indicating, alarming output, continuous display signal. So we may apply this instrument to not only level measurement but also monitoring, controlling of liquid level such as water, oil, chemical solvent, etc.

FEATURES

- Remote and local indication
- Easy installation, and even though lower space between installing position and ceiling, it has no difficult to mount it
- Applicable high temperature and hazardous area.

PRINCIPLE OF OPERATION

When the liquid level in the vessel rises and falls, the float position which is connected with measuring tape will be varied according to the level of liquid. During the liquid level falls, the measuring tape will be released by the float including a weight, but the liquid level rises, it will be wound back by a constant torque spring attached to gear mechanism.

While the mechanism is under such actuation, you can find out the level position by using a digital or analog indicator at location or even control panel further.

It can send DC 4~20mA analog signal and 1~8 point alarm to the remote location.

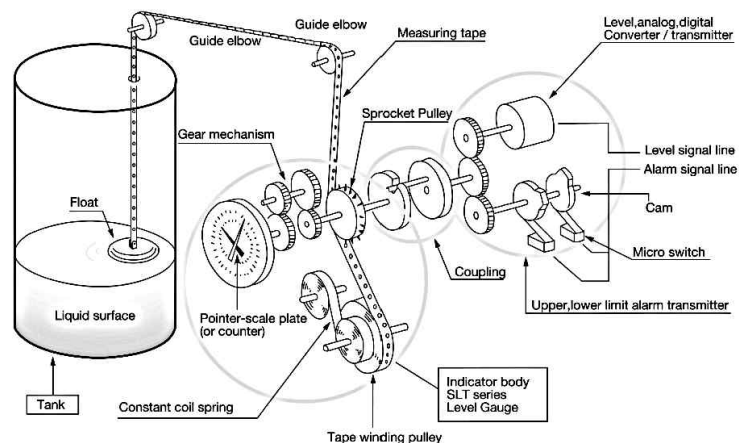
SPECIFICATION

Mechanical Specification

Material Dimension	Body : ADC 9
	Float : 304SS or 316SS
	Transmitter : ADC 9 & AC2B
Dimension	320(W) x465(H) X 187(B)
Connection	PT 1 1/2"
Conduit Conn. Size	PF 3/4"



CONFIGURATION OF TANK LEVEL GAUGE



Functional Specification

Measuring Method	Measuring Displacement by float
Indication	2-Pointer dial or counter (Graduation increasement 1mm)
Display	Analog Display (Pointer-scale plate)
Operating Temperature	-20 ~ +40°C
Specific Gravity	0.65 ~ 1
Process Pressure	0.2Kg/cm ²
Accuracy	± 2.0 mm
Measuring Range	0~2m, 3m, 5m, 6m, 10m, 12m, 15m, 20m(Max.)
Enclosure	Weather Proof



SAM HOI INDUSTRIAL CO., LTD.

#48-2, 66-BeonGil, Golden root-Ro, Juchon Myeon, Gimhae-city Gyeongnam, Korea

Tel. +82-55-321-0578 Fax. +82-55-321-0573

E-mail: shico007@chol.com Homepage : www.shico.co.kr

A-8

SHICO. TANK LEVEL GAUGE WITH TRANSMITTER

MODEL : SLT-1100 Series

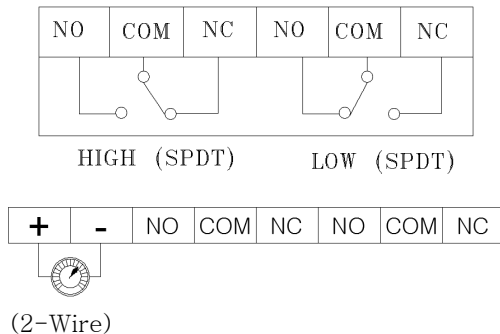
■ Electrical Specification

Switch type	Micro Switch
Number	High and Low Alarm
Switch form	Micro & 4-SPDT
Contact Rating	AC 250V 15A

■ Transmitter Specification

Type	Potential meter
Output	4~20mA (Option)
Power	DC 24V (2Wires)
Certificate	Weather-Proof

■ TRANSMITTER & SWITCH CONNECTION DIAGRAM

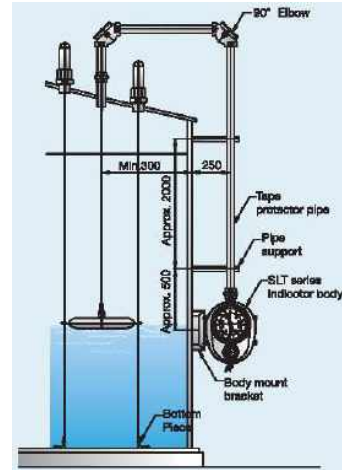


■ APPLICATIONS

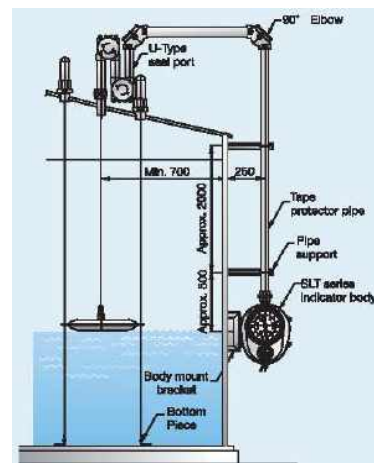
Gasoline, Heavy Oil, Lamp Oil, Naphtha, Asphalt, Benzol, Thorium, Caustic soda, Industrial water, Distilled water, Beer, Refined rice wine, Whisky, Soy, Molasses, Etc.

■ INSTALLATION OF THE SLT LEVEL GAUGE ON A TANK

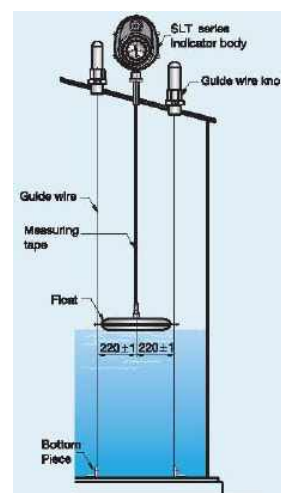
■ Installation to the side of tank



■ Installation to the side of tank



■ Installation to the top on tank



SAM HOI INDUSTRIAL CO., LTD.

#48-2, 66-BeonGil, Golden root-Ro, Juchon Myeon, Gimhae-city Gyeongnam, Korea

Tel. +82-55-321-0578 Fax. +82-55-321-0573

E-mail: shico007@chol.com Homepage : www.shico.co.kr

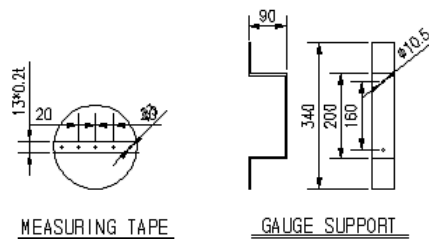
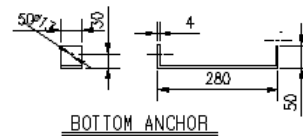
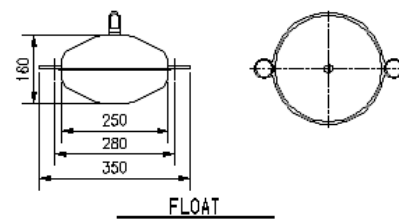
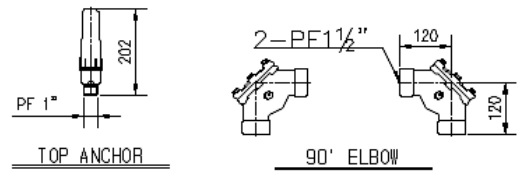
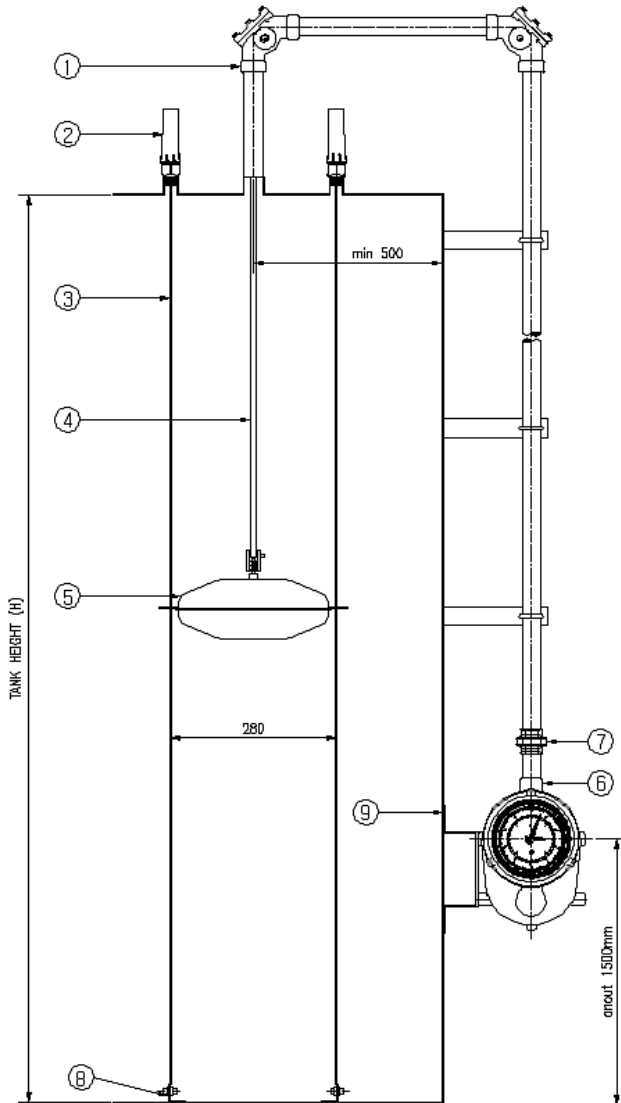
SHICO. TANK LEVEL GAUGE WITH TRANSMITTER

MODEL : SLT-1100 Series

LEVEL INDICATOR INSTALLATION & PART INSTRUCTION

Level Indicator Installation

Accessory Part



Part List

NO	DESCRIPTION	MATERIAL	Q'ty	SIZE
1	ELBOW	AL.C	1	PF 1 1/2" * 1 1/2"
2	TOP ANCHOR	AL.C	1	PF 1"
3	GUIDE WIRE	SS304	1	Φ3
4	MEASURING TAPE	SS304	1	13mm x 0.3t
5	FLOAT	SS304	1	Φ250 x 160
6	LEVEL GAUGE	AL.C	1	
7	UNION	CS	1	PF 1 1/2"
8	BOTTOM ANCHOR	SS304		
9	GAUGE SUPPORT	CS		



SAM HOI INDUSTRIAL CO., LTD.

#48-2, 66-BeonGil, Golden root-Ro, Juchon Myeon, Gimhae-city Gyeongnam, Korea

Tel. +82-55-321-0578 Fax. +82-55-321-0573



E-mail: shico007@chol.com Homepage : www.shico.co.kr

A-10



SHICO. TANK LEVEL GAUGE WITH TRANSMITTER

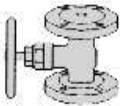
MODEL : SLT-1100 Series

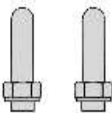
■ PARTS OF SLT-1100 SERIES LEVEL GAUGE


Float		
Standard	Diameter	Material
	ϕ 135	SUS 304 SUS 316
		SUS 304 SUS 316
	ϕ 300	SUS 304 SUS 316
	ϕ 400	SUS 304 SUS 316

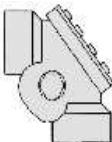
This is the standard. Other material such as special metal, synthetic resin, or lining are possible.

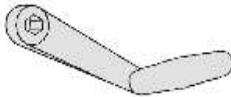
Tape and constant torque spring (constant spring)			
	Part	Diameter	Material
	Tape	13W x 0.15t x L1 hole pitch 30	SUS 304 SUS 316
	Constant torque spring	25W x 0.3t x L2	SUS 304 SUS 316
L1 and L2 are decided according to the tank height.			

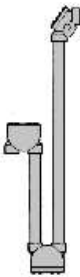
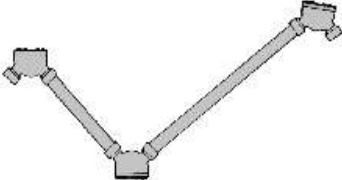
Shut off valve			
	Type	Connection	Material of main body
	For low pressure	1 1/2" flange	SCS 13, 14
	For high pressure		

Guide wire knob			
	Type	Connection	Case Mat'l (standard)
	For low pressure	1 1/2" screw type welding type	FC23 SCS13, 14
	For high pressure	1 1/2" flange	STPG38 SUS304 SUS316

Guide wire			
	Type	Dimensions	Material
	Stand	ϕ 3 x L	SUS316 (standard)
	Single wire	ϕ 4 x L	SUS304
L is decided according to the tank height.			

Guide elbow				
	Type	Connection	Application	Case material (standard)
	For low pressure	PT 1/2" screw	135° 90°	FC25 ADC12
		1 1/2" flange	135° 90°	SCS13 SCS14
	For high pressure	1 1/2" flange	90° 135°	SC49 SCS13, 14

FT Series hoisting handle	
	Material
	AC2A

U-Shaped seal pot	V-Shaped seal pot	
		Connection
		PT 1-1/2" screw 1-1/2" flange
		Cut-off pressure
		400-1000(mmAq)
		Material
		SGP, SUS304, SUS316, AC2A, FC25, SCS13, SCS14
		Seal liquid (example)
		Silicone oil, etc.
		Volume of seal liquid
		Approx. 1.5l



SAM HOI INDUSTRIAL CO., LTD.

#48-2, 66-BeonGil, Golden root-Ro, Juchon Myeon, Gimhae-city Gyeongnam, Korea

Tel. +82-55-321-0578 Fax. +82-55-321-0573

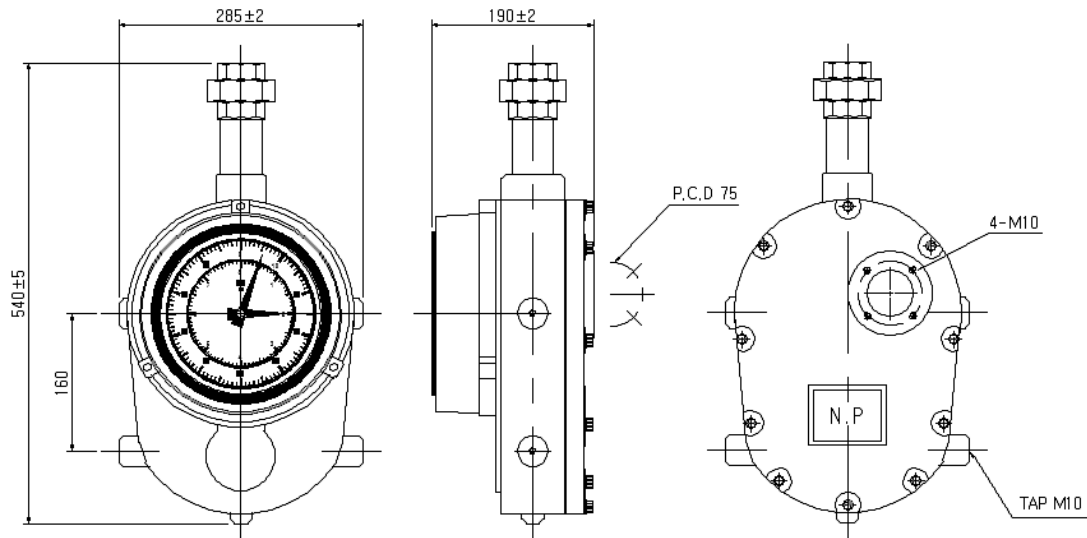
E-mail: shico007@chol.com Homepage : www.shico.co.kr

SHICO. TANK LEVEL GAUGE WITH TRANSMITTER

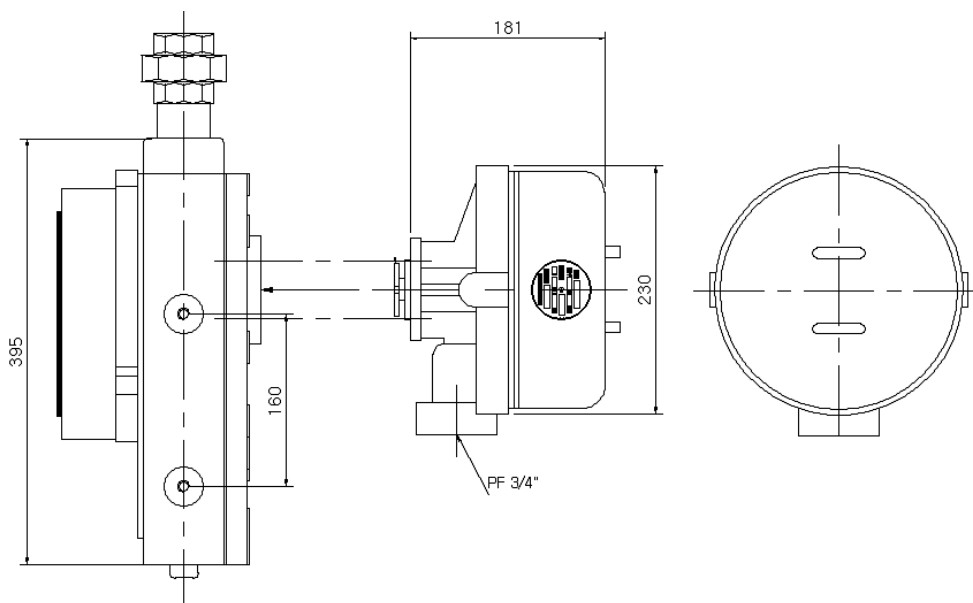
MODEL : SLT-1100 Series

■ DIMENSION

■ Tank Level Gauge



■ Transmitter



SAM HOI INDUSTRIAL CO., LTD.

#48-2, 66-BeonGil, Golden root-Ro, Juchon Myeon, Gimhae-city Gyeongnam, Korea

Tel. +82-55-321-0578 Fax. +82-55-321-0573

E-mail: shico007@chol.com Homepage : www.shico.co.kr

A-12

SHICO. TANK LEVEL GAUGE WITH TRANSMITTER

MODEL : SLT-1100 Series

ORDERING INFORMATION

MODEL	TANK LEVEL GAUGE INDICATOR SYSTEM					
SLT-1100	SPRING BALANCE SYSTEM					
CODE	INSTRUMENT INDICATION SYSTEM					
1	1-POINTER DIAL					
2	2-POINTER DIAL					
3	COUNTER					
4	SPECIAL SPECIFICATIONS					
CODE	MOUNTING					
1	SIDE OF CONE ROOF TANK					
2	TOP OF A TANK OR UNDERGROUND TANK					
3	FOR FLOATING ROOF TANK (WITH FLOAT)					
CODE	MEASURING CHAIN					
W	WIRE					
T	TAP					
CODE	FLOAT MATERIAL					
1	SUS 304					
2	SUS 306					
CODE	FLOAT SIZE					
1	ϕ 135					
2	ϕ 300					
3	ϕ 400					
CODE	MICRO SWITCH					
1	1 POINT					
2	2 POINT					
3	3 POINT					
4	4 POINT					
CODE	TRANSMITTER					
0	WITHOUT					
1	WITH (4~20mA)					

SLT-1100 -



SAM HOI INDUSTRIAL CO., LTD.

#48-2, 66-BeonGil, Golden root-Ro, Juchon Myeon, Gimhae-city Gyeongnam, Korea

Tel. +82-55-321-0578 Fax. +82-55-321-0573

E-mail: shico007@chol.com Homepage : www.shico.co.kr