

SHICO. DIGITAL PRESSURE TRANSMITTER

MODEL : SKP-200

■ GENERAL DESCRIPTION

- Compact Field Case
- Programmable Digital Pressure Transmitter
- Variable Functions
- Range Turn-down
- High Precision Instrument
- All Stainless Steel Construction
- Wide Measuring Ranges

■ ADVANTAGES

- Microprocessor inside
- Aluminium die casting field terminal
- SUS316 material for Piezoresistive Silicon Sensing Element
- Long & stable measuring ability
- LED 4 digit display
- Remote transmission by current signal



■ TECHNICAL DATA

▣ INPUT

Measuring Principle	Piezo-resistive Silicon Pressure Cell
Pressure Reference	Gauge, Absolute, Vacuum & Compound
Measuring Ranges(bar)	Gauge : 0~0.5,1,2,3,4,5,8,10,15,20,25,35,50,100,200,350
	Absolute : 0~1,2,5,10,20,50,100,200,350,400
	Vacuum : -1~0
	Compound : -1~1,2,3,5,10,20,35,50,100,200,350,400 *Note : Other ranges are available on request
Over Pressure Limit	2.5 x Full scale without damage

▣ OUTPUT

Output Signal	4~20mA DC, 2-wire
	1~5V DC, 3-wire(Optional)
Local Display	Digits, 7-segment digital LED

■ PERFORMANCE SPECIFICATION

Accuracy	±0.25% FSO
Non-linearity	±0.060% FSO typical
Repeatability	±0.010% FSO typical
Pressure Hysteresis	±0.010% FSO typical
Long-term Stability	±0.35% FSO over 6months
Operation Temp' Range	-40~125℃
Compensated Temp' Range	0~82℃

■ ELECTRICAL SPECIFICATION

Electrical Connection	General terminal head
Conduct Connection	1/2"PF, Female
Excitation Voltage	12~36V DC
Load Resistance max.@24V	700 ohm at 24V
Influence of Excitation	0.01% FSO/V
Reverse Polarity	Protected
Response Time	≤2 milliseconds
Adjustment	4:1 Range turn-down

■ PHYSICAL SPECIFICATION

Process Connection	Thread Type : PT, NPT ,PF
	Thread Size : 1/4", 3/8", 1/2"
	Other connections available such as JIS, ANSI, DIN Flange
Process Media	Gases & liquids compatible with Stainless steel 316
Materials	Field case : ALDC
	Wetted parts : Stainless steel 316
	Diaphragm : Stainless steel 316L
Enclosure Rate	IP65



SAM HOI INDUSTRIAL CO., LTD.

#48-2, 66-BeonGil, Golden root-Ro, Juchon Myeon, Gimhae-city Gyeongnam, Korea

Tel. +82-55-321-0578 Fax. +82-55-321-0573

E-mail: shico007@chol.com Homepage : www.shico.co.kr

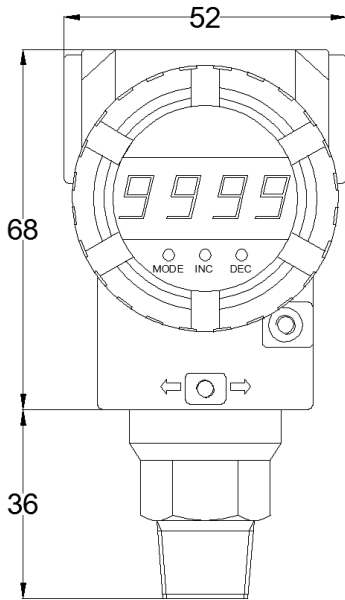
D-18

SHICO. DIGITAL PRESSURE TRANSMITTER

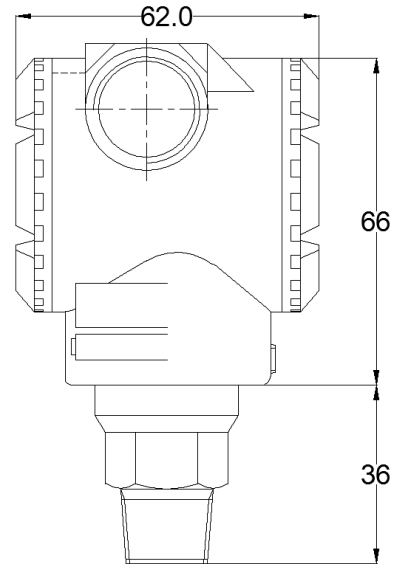
MODEL : SKP-200

■ DIMENSION

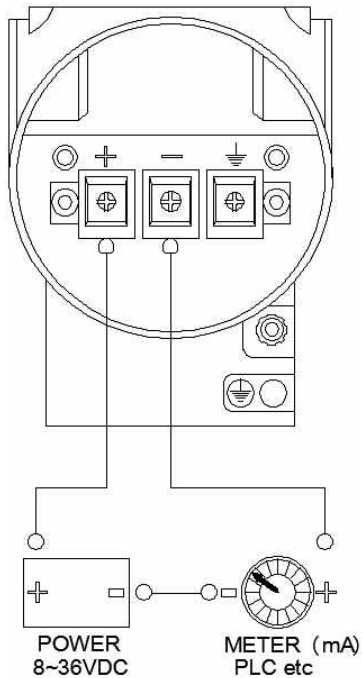
■ FRONT VIEW



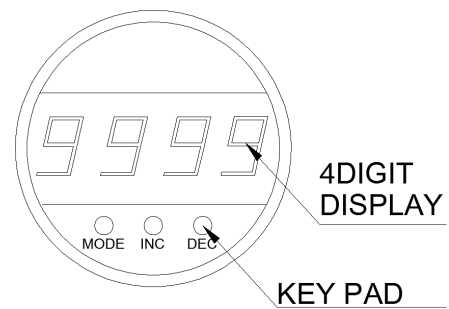
■ SIDE VIEW



■ ELECTRICAL CONNECTION



■ DISPLAY DESCRIPTION



SAM HOI INDUSTRIAL CO., LTD.

#48-2, 66-BeonGil, Golden root-Ro, Juchon Myeon, Gimhae-city Gyeongnam, Korea

Tel. +82-55-321-0578 Fax. +82-55-321-0573

E-mail: shico007@chol.com Homepage : www.shico.co.kr

D-19

SHICO. DIGITAL PRESSURE TRANSMITTER

MODEL : SKP-200

■ ORDERING NUMBER

SKP-200	MODEL	
	PRESSURE REFERENCE	
	R Gauge Pressure	
	A Absolute Pressure	
	V Vacuum	
	C Compound Pressure	
	PROCESS CONNECTION TYPE	
	A NPT	
	B PT	
	C PF	
	X Other types of connection available on request.	
	PROCESS CONNECTION SIZE	
	1 1/4"	
	2 3/8"	
	3 1/2"	
	X Other on request	
	RANGE	
	110 -1~0	127 -1~2
	111 0~0.1	128 -1~5
	112 0~0.2	129 -1~10
	113 0~0.5	130 -1~15
	114 0~1	131 -1~20
	115 0~2	132 -1~25
	116 0~5	133 -1~35
	117 0~10	134 -1~50
	118 0~15	135 -1~100
	119 0~20	136 -1~250
	120 0~25	137 -1~350
	121 0~35	
	126 -1~1	
	UNIT	
	A kgf/cm ² or mmHg+ kgf/cm ²	
	B mmHg	
	C bar	
	D psi	
	E Mpa	
	F Kpa	
	X Other calibration unit available on request	
	Output Signal	
	0 None-Output (Only Digital Gauge)	
	1 4~20mA DC, 2-wire	
	2 1~5V DC, 3-wire (Optional)	

SKP-200

<input type="checkbox"/>	<input type="checkbox"/>	<input type="checkbox"/>	<input type="checkbox"/>	<input type="checkbox"/>	<input type="checkbox"/>	<input type="checkbox"/>
--------------------------	--------------------------	--------------------------	--------------------------	--------------------------	--------------------------	--------------------------



SAM HOI INDUSTRIAL CO., LTD.

#48-2, 66-BeonGil, Golden root-Ro, Juchon Myeon, Gimhae-city Gyeongnam, Korea

Tel. +82-55-321-0578 Fax. +82-55-321-0573

E-mail: shico007@chol.com Homepage : www.shico.co.kr

D-20