

SHICO. LEVEL SWITCH CONTROL UNIT

MODEL : U-200 Series

U-200 relay unit is used to provide higher current as well as latching sequence to overcome the limited current switching values of the switch element.

This unit also contributes to safety since it allows lower between the relay unit and the detection elements.

Where U-200 relay unit is employed in level detection, the relay unit should be connected between the level switch and an electro-magnetic switch, buzzer, electro-magnetic valve, lamp for level control and level alarms.

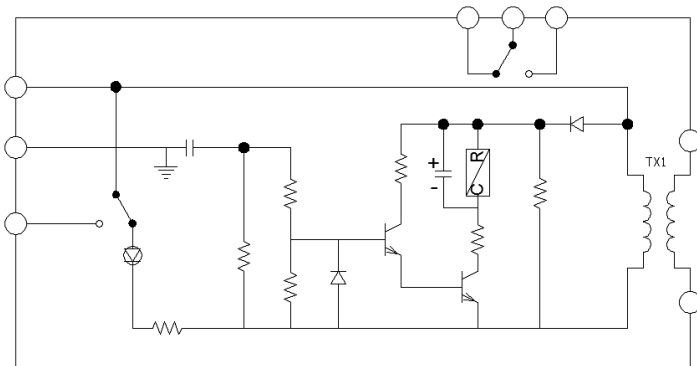
■ FEATURES

- It is unnecessary to adopt external circuit for self holding for high and low limit control, as this unit is equipped with the circuit built-in.
- Amplified of the contact capacity with low voltage supply to level switch, flow switch, pressure switch, thermostat, position detector, etc.
- Voltage applied to input contact is DC 15V, 2mA or less.
- External resistance up to input contact is allowed up to 10K ohm.

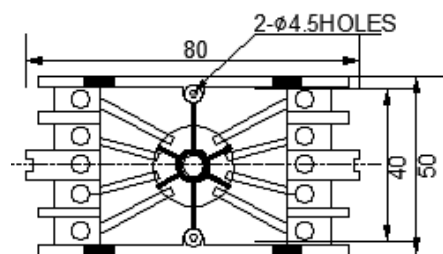
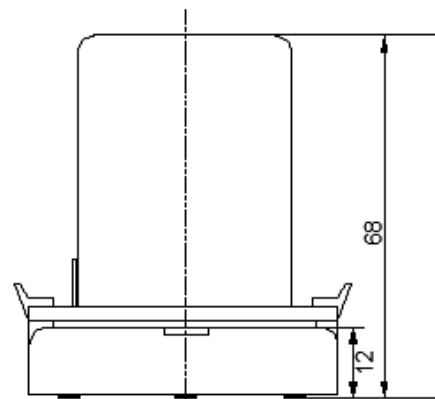
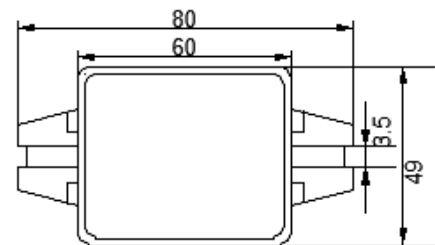
■ TECHNICAL DATA

- Power source : AC 110/220V $\pm 10\%$ 50 ~ 60Hz
- Ambient temperature : $-20 \sim +60^{\circ}\text{C}$
- Output contact capacity : AC150MV 5A (resistance load)
- Insulation resistance : DC 500V 100M Ω more than
- Dielectric strength : AC150V 1 minute
- Power consumption : 2VA
- Inter electrode : AC 12V
- U-200 sensitivity adjustable type

■ CIRCUIT DIAGRAM



■ DIMENSIONS



SAM HOI INDUSTRIAL CO., LTD.

#48-2, 66-BeonGil, Golden root-Ro, Juchon Myeon, Gimhae-city Gyeongnam, Korea

Tel. +82-55-321-0578 Fax. +82-55-321-0573

E-mail: shico007@chol.com Homepage : www.shico.co.kr

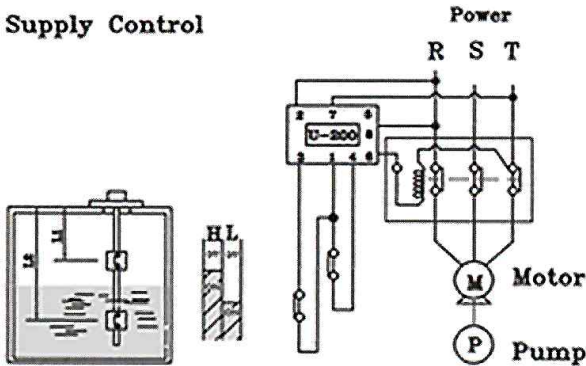
B-46

SHICO. LEVEL SWITCH CONTROL UNIT

MODEL : U-200 Series

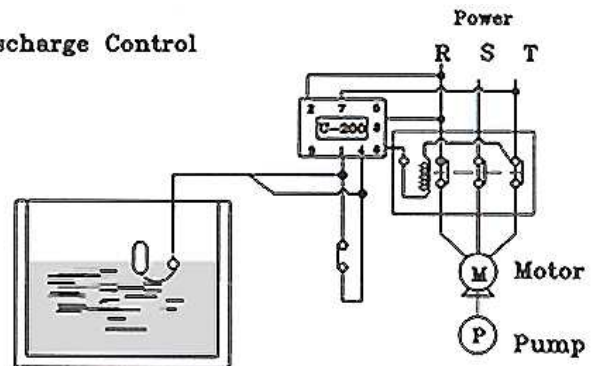
■ WIRING EXAMPLES

• Supply Control



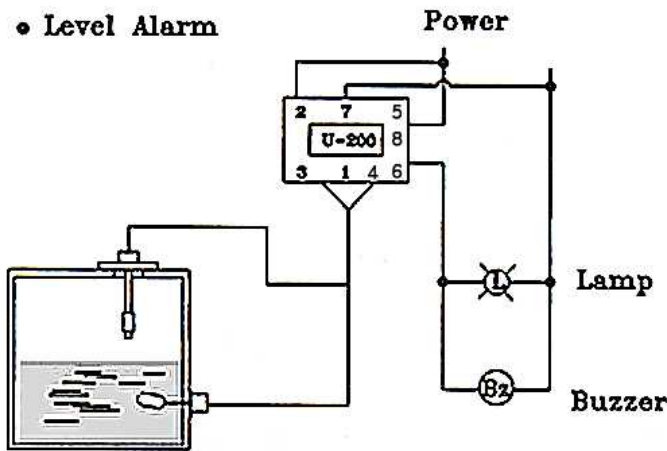
The Terminal Connection of ⑤ ⑧
Alternatively for ③ ⑥ is for Discharge Control

• Discharge Control

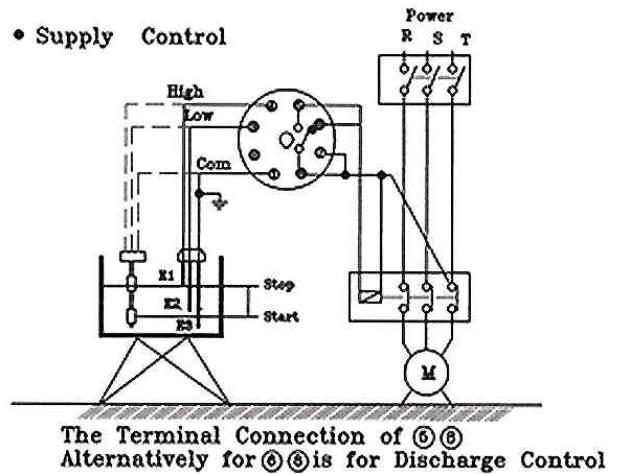


The Terminal Connection of ③ ⑥
Alternatively for ⑤ ⑧ makes feeding Control

• Level Alarm

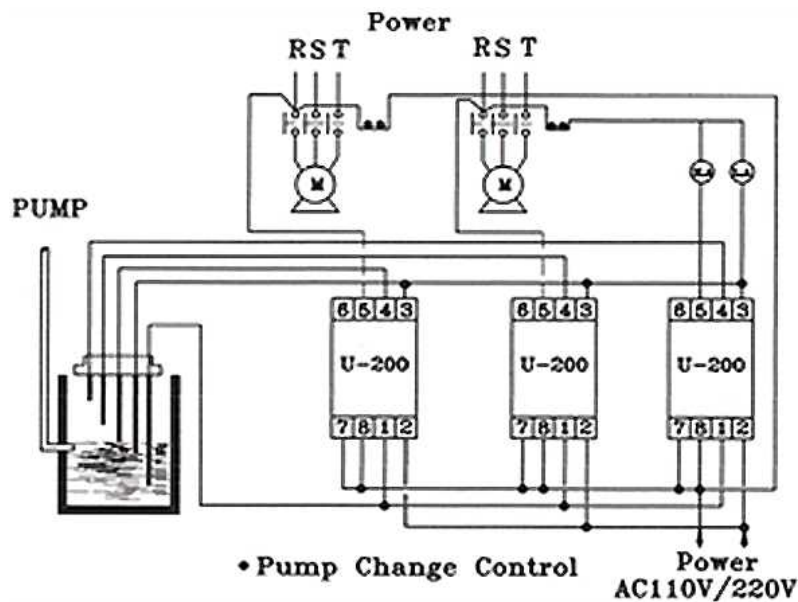


• Supply Control



The Terminal Connection of ⑤ ⑧
Alternatively for ③ ⑥ is for Discharge Control

■ CONNECTION SENSOR



• Pump Change Control
Power AC110V/220V



SAM HOI INDUSTRIAL CO., LTD.

#48-2, 66-BeonGil, Golden root-Ro, Juchon Myeon, Gimhae-city Gyeongnam, Korea

Tel. +82-55-321-0578 Fax. +82-55-321-0573

E-mail: shico007@chol.com Homepage : www.shico.co.kr

B-47