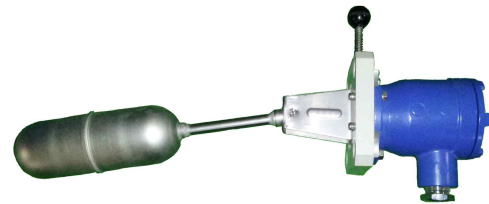


SHICO. MAGNETIC FLOAT TYPE LEVEL SWITCH

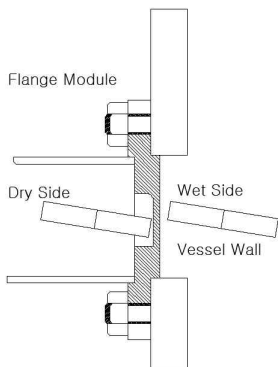
MODEL : SL-12 Series

■ GENERAL

The SHICO modular system uses standard switch components to satisfy "special" switch requirements.
SHICO level switches are for liquid level control applications.



■ OPERATING PRINCIPLE



The float of the SHICO level switch transmits a signal through a solid nonmagnetic wall utilizing the "repulsion of like poles" principle.
This cause the float magnet to impart a snap action on the electric or pneumatic switch elements.

■ STANDARD FEATURES

- KS, JIS flanges
- Stainless steel wetted parts seldom need to be removed from tank.
- Designed for side mounting
: operating differential for low level alarm, cut off or pump control.
- Electric output
- Contact form : SPDT
- Switch type : Micro Switch

■ SWITCH CONTACT RATING

Electric switch modules with one independent SPDT contacts rated at : AC250V/10A, DC 250V/0.25A
* Specification can be changeable by user request.

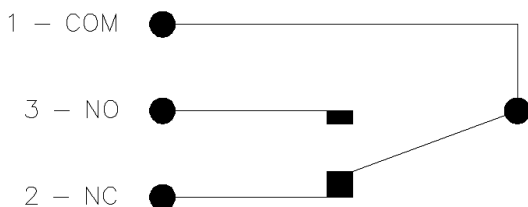
■ ENCLOSURES TYPE

Weather proof IP 56 enclosures

■ OPTIONAL FEATURES

- Interfacing
- Adjustable differentials
- Custom controls
- Flange(ANSI, DIN)
- Explosion proof D2 G4
- Higher pressure and
- Temperature rating
- Top mounting
- Chamber

■ TERMINAL CONNECTION



■ TECHNICAL DATA

- Installation : Side
- Mounting method : Flange
- Mounting size : KS, JIS 65A 5K
- Operate size : 10Kg/cm² or over
[Wet Side]
 - Max working pressure : 18bar
 - working temperature Range : 1~210°C(Max)
- Ambient temperature : 1~60°C (Max)
[Dry side]
- Specific gravity of liquid : min 0.6
- Material : Body - ALBC 3
Flange - ALBC 3
Float - SUS 304



SAM HOI INDUSTRIAL CO., LTD.

#48-2, 66-BeonGil, Golden root-Ro, Juchon Myeon, Gimhae-city Gyeongnam, Korea

Tel. +82-55-321-0578 Fax. +82-55-321-0573

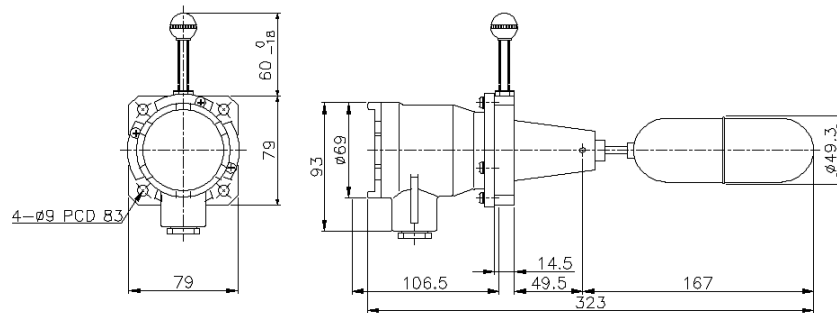
E-mail: shico007@chol.com Homepage : www.shico.co.kr

B-1

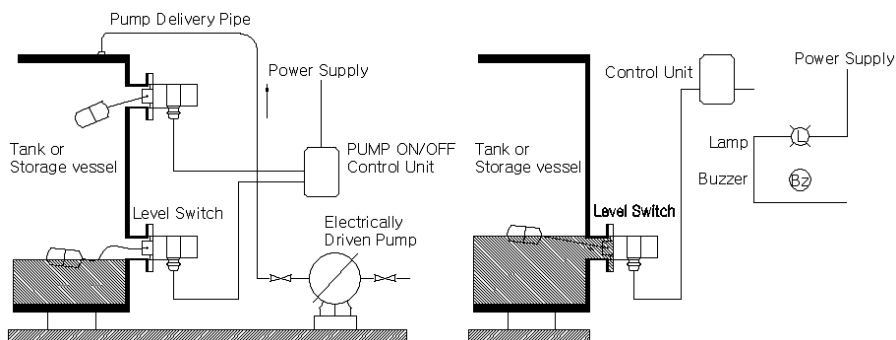
SHICO. MAGNETIC FLOAT TYPE LEVEL SWITCH

MODEL : SL-12 Series

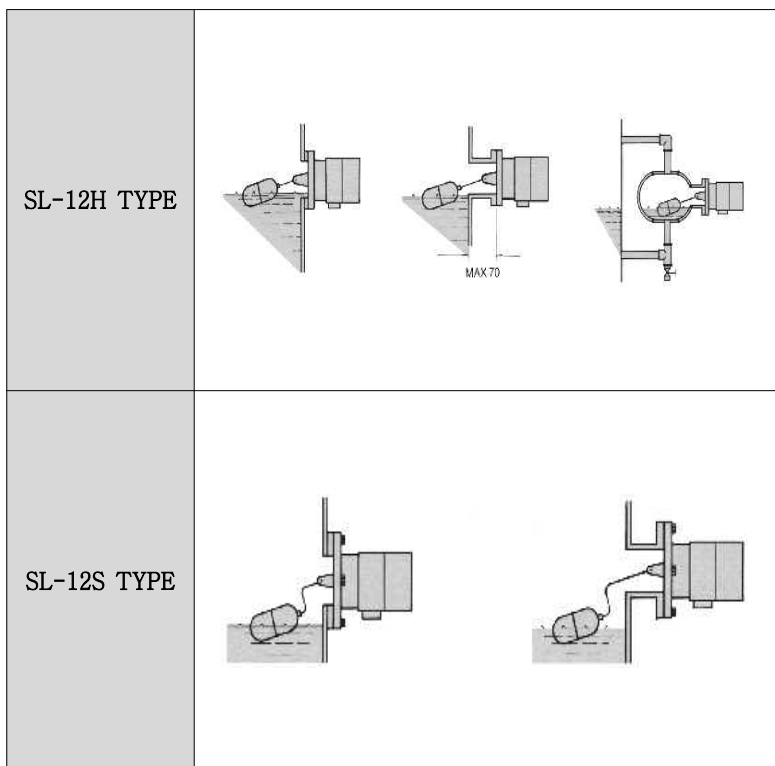
■ DIMENSIONS



■ BLOCK DIAGRAM



■ INSTALLATION METHODE



■ ORDERING INFORMATION

CODE	MOUNTING
H	HORIZONTAL MOUNTING
S	VERTICAL MOUNTING
CODE	CONNECTION
1	SQUARE FLANGE
2	JIS 5K 65A
3	JIS 10K 65A
4	JIS 5K 80A
5	JIS 10K 80A
6	JIS 5K 100A
7	JIS 10K 100A
CODE	OPTION
CS	3 DPDT
ALD	4 PNEUMATIC
CODE	SWITCH CONDUCT
D	1 SPST
AL	2 SPDT

SL-12

※ Option : Test Lever



SAM HOI INDUSTRIAL CO., LTD.

#48-2, 66-BeonGil, Golden root-Ro, Juchon Myeon, Gimhae-city Gyeongnam, Korea

Tel. +82-55-321-0578 Fax. +82-55-321-0573

E-mail: shico007@chol.com Homepage : www.shico.co.kr

B-2