

SHICO.

MODEL : SAI-710 Series ULTRASONIC REMOTE LEVEL CONTROLLER WITH PVC SENSOR

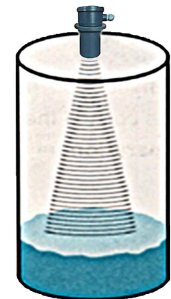
The SAI-710 Series product installed in various tanks, with a back light display giving clear visual indication of the measured value and status of all inputs and outputs performs a wide variety of control, fault indication or alarm duty.

■ FEATURES

- Controls, Transmits and Displays
- Non-Contacting Ultrasonic sensor
- 6 Relays for Pump Controls and Level Alarms.
- Local display of measured value.
- Tough weather proof wall mount enclosure.

■ SENSOR SPECIFICATION

- Transmit Sensitivity : Min. 100B re 1uPa/V at 1m
- Beam Width(at-3dB) : 5 DEG
- Materials : Housing (P.P), Sensor(Ceramic)
- Acoustic Window : Glass Reinforced Epoxy
- Operating Temperature : -30℃~70℃
- Operating Pressure : Max 2bar
- Mechanical Protection : IP68
- Mounting Size : 4" ANSI 150 #RF
- Temperature Sensor : Built in PT100. Sensor
- Output : 4~20mA
- Cable Entry : PG11



■ ULTRASONIC LEVEL CONTROLLER SPECIFICATION

Technical Data

- Display Set : At 4mA, 0~10000m/m Set Possible
At 20mA, Max 10000m/m Set Possible
(Indicate level is displayed by Percentage)
- Mounting : 3-Φ5 Hole
- Cable Entry : 4-PG11
- Material : ABS
- Operating temperature : -10℃~ 70℃

Electrical Data

- POWER SUPPLY : AC 85~260V, 50/60Hz
- Input Power : DC 24V
- INPUT TYPE : DC 24V LOOP TYPE DC 4~20mA
- Display : 6 Digit LCD Back Light
- Resolution : 1mm
- Accuracy : ±0.25% of F.S.
- Ambient Humidity : 7 to 95% RH
- OUTPUT TYPE : 6 CHANNEL RELAY (1a1b OUT)
- Contact Capacity : DC 24V 1A

Standard Feature

- Bracket Wall Mount

Enclosure Type

- IP65



SAM HOI INDUSTRIAL CO., LTD.

#48-2, 66-BeonGil, Golden root-Ro, Juchon Myeon, Gimhae-city Gyeongnam, Korea

Tel. +82-55-321-0578 Fax. +82-55-321-0573

E-mail: shico007@chol.com Homepage : www.shico.co.kr

A-3

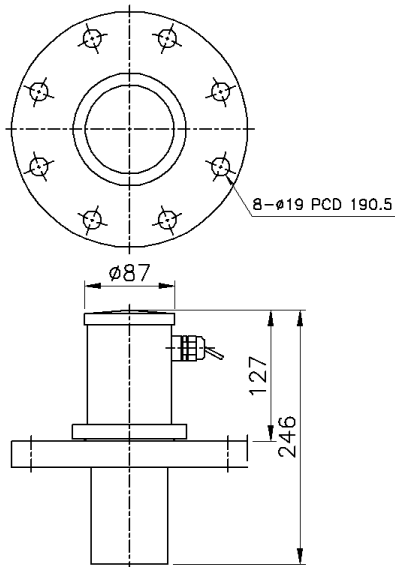
SHICO.

ULTRASONIC REMOTE LEVEL CONTROLLER WITH PVC SENSOR

MODEL : SAI-710 Series

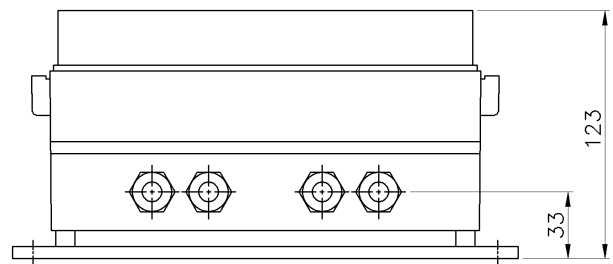
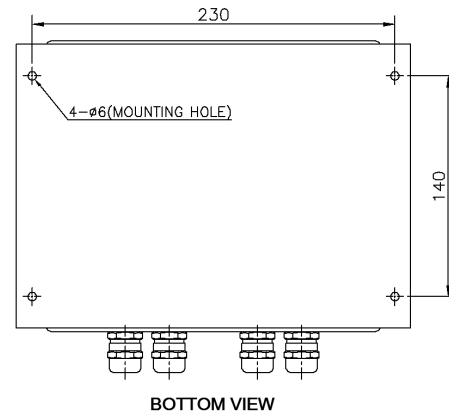
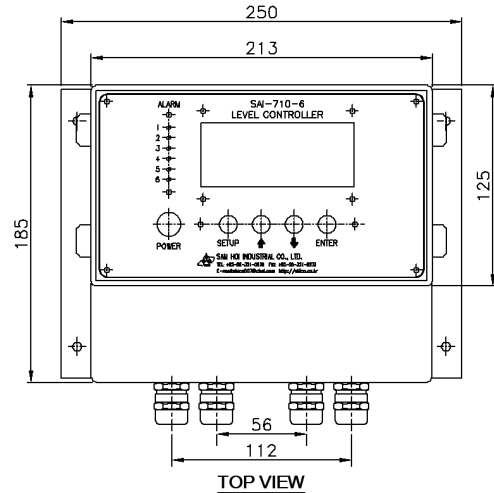
■ DIMENSIONS

■ Ultrasonic Level Sensor

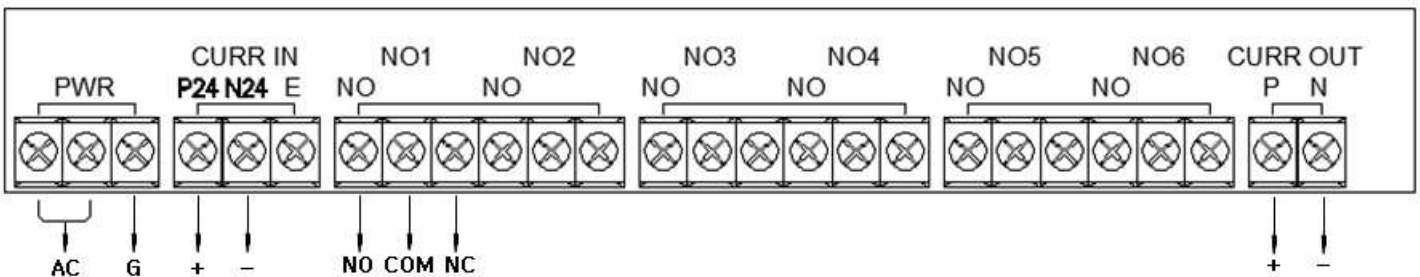


SU-110KHz SENSOR

■ Ultrasonic Level Controller



■ FUNCTIONAL DIAGRAM



SAM HOI INDUSTRIAL CO., LTD.

#48-2, 66-BeonGil, Golden root-Ro, Juchon Myeon, Gimhae-city Gyeongnam, Korea

Tel. + 82-55-321-0578 Fax. + 82-55-321-0573

E-mail: shico007@chol.com Homepage : www.shico.co.kr

SHICO.

MODEL : SAI-710 Series

ULTRASONIC REMOTE LEVEL CONTROLLER WITH PVC SENSOR

■ ORDERING INFORMATION

| MODEL | | | | | |
|----------|-----------------|---------------------------|---|--------|--|
| SAI-710- | POWER | | | | |
| | 1 | AC 100V/220V | | | |
| | 2 | DC 24V | | | |
| | INPUT SIGNAL | | | | |
| | 1 | 4~20mA | | | |
| | 2 | 0~20mA | | | |
| | 3 | 1~5VDC | | | |
| | RELAY CONTACT | | | | |
| | 1 | 1 SPDT | D | 1 DPDT | |
| | 2 | 2 SPDT | D | 2 DPDT | |
| | 3 | 3 SPDT | D | 3 DPDT | |
| | 4 | 4 SPDT | D | 4 DPDT | |
| | 5 | 6 SPDT | D | 6 DPDT | |
| | DISPLAY | | | | |
| | 1 | 3 DIGIT | | | |
| | 2 | 4 DIGIT | | | |
| | 3 | 6 DIGIT | | | |
| | SENSOR MOUNTING | | | | |
| | 1 | 2" SCREW, 2" FLANGE | | | |
| | 2 | 3" FLANGE | | | |
| | 3 | OPTION (User requirement) | | | |



SAM HOI INDUSTRIAL CO., LTD.

#48-2, 66-BeonGil, Golden root-Ro, Juchon Myeon, Gimhae-city Gyeongnam, Korea

Tel. +82-55-321-0578 Fax. +82-55-321-0573

E-mail: shico007@chol.com Homepage : www.shico.co.kr

A-5