

SHICO. POWER SUPPLY & BATTERY CHARGER (UPS)

MODEL : SPS-222

DESCRIPTION

SPS-222 power supply with integrated battery charger offers a complete power system designed for UPS applications.

The system is designed to provide regulated DC power for industrial equipment, while providing battery back up power in the event of a source power interruption.



APPLICATION

SPS-series can apply many kinds of equipments for ship which need DC power supply usually and emergently. Also they can apply for forklift, golf cart, subway train and other vehicles need DC power supply.

Electrical Specification

| | |
|--|---|
| Input | 100-240V AC 50/60Hz 8.2A |
| Output | 26.9V DC normal Max.12A |
| Over current | 22.2A |
| Battery back-up time | 12A in 30min |
| High Alarm | DC 29V |
| Low Alarm | DC 23V |
| Trip Alarm | DC 22V |
| Alarms as potential free contacts | Under voltage : 18.0V DC |
| | High voltage : 32.0V DC |
| Protection | Under voltage : 18.0V DC |
| | High voltage : 32.0V DC |
| System type | Floating DC system |
| Protection circuit | Work at over 185% of rating and Auto-recovery |
| | 115~140% Rated output voltage |
| Battery Life | 3 years |

SPECIFICATION

Physical Specification

| | |
|-----------------------|----------------------------|
| Weight | 38Kg |
| Clearance | 180 x 50mm or more |
| Dimension | 400(W) x 500(H) x 210(D)mm |
| Fitting | 360mm x440mm(Hole 10) |
| Cable Entrance | TRAY-BRACKET |
| Material | SS 400 |
| Color | MAKER STANDARD |



SAM HOI INDUSTRIAL CO., LTD.

#48-2, 66-BeonGil, Golden root-Ro, Juchon Myeon, Gimhae-city Gyeongnam, Korea

Tel. +82-55-321-0578 Fax. +82-55-321-0573

E-mail: shico007@chol.com Homepage : www.shico.co.kr

L-24

SHICO. POWER SUPPLY & BATTERY CHARGER (UPS)

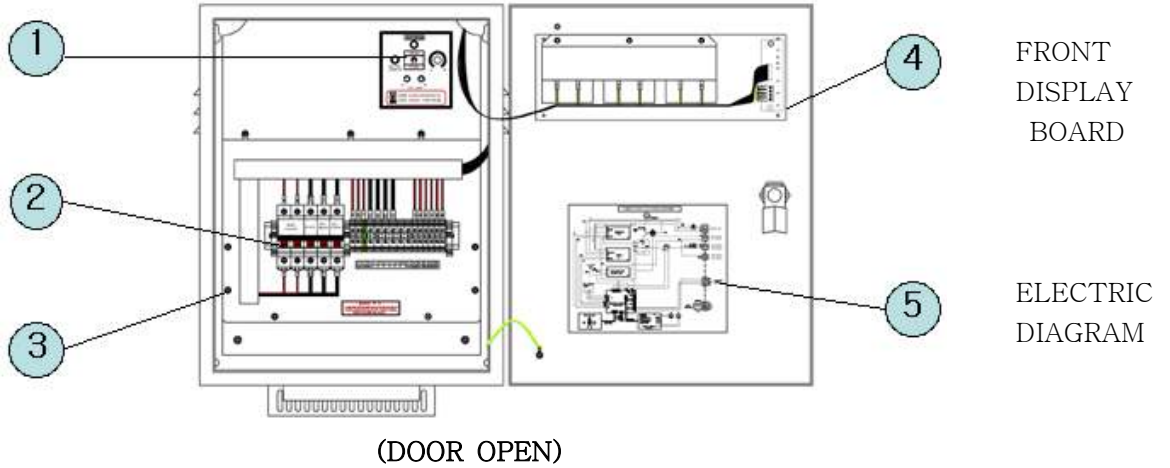
MODEL : SPS-222

SYSTEM CONFIGURATION

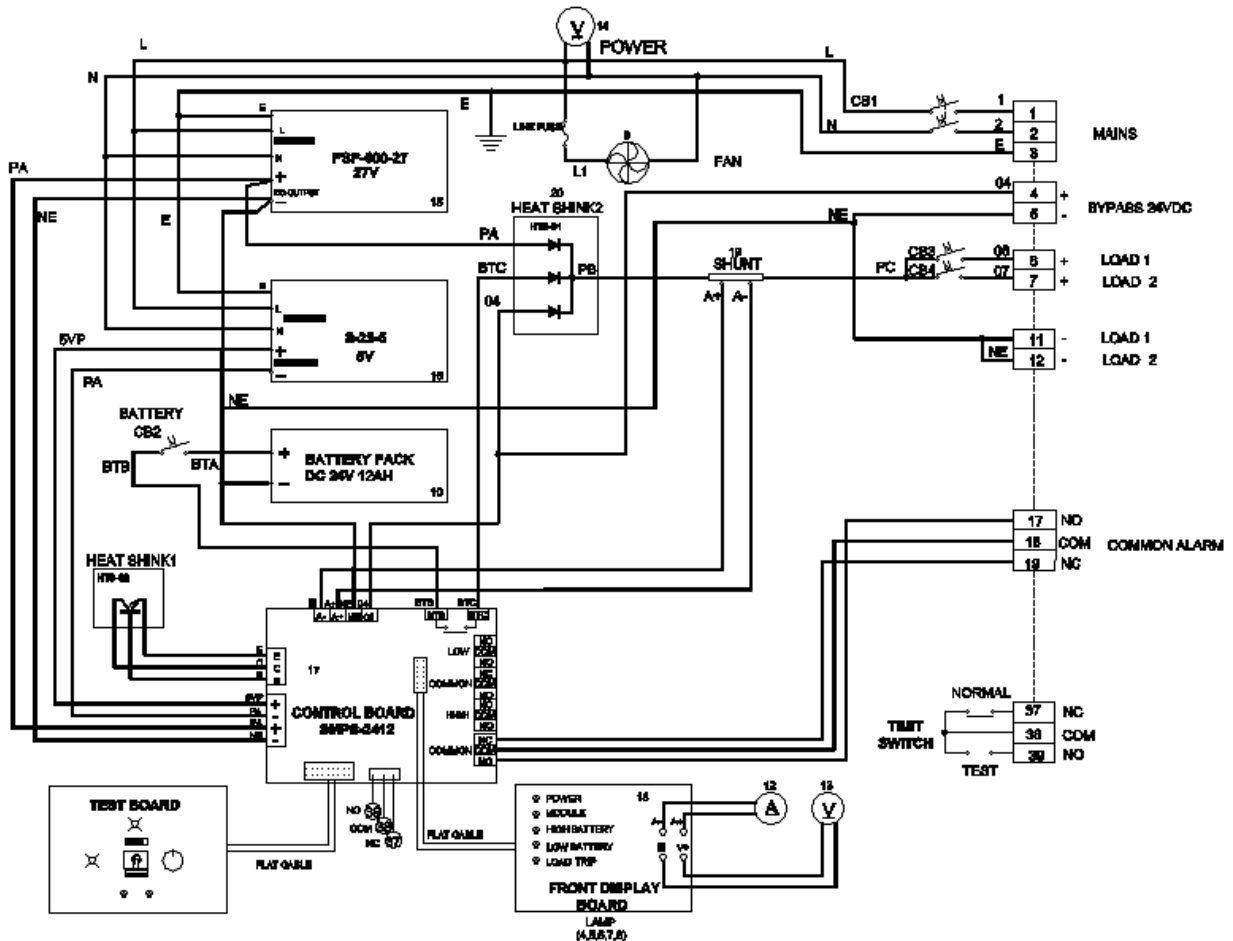
TEST BOARD

TERMINAL BLOCK, FAN FUSE

BATTERY BOX



ELECTRICAL DIAGRAM



SAM HOI INDUSTRIAL CO., LTD.

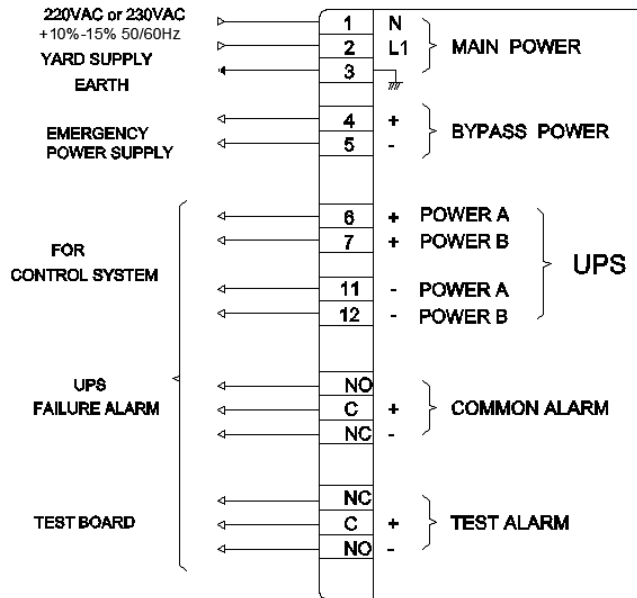
#48-2, 66-BeonGil, Golden root-Ro, Juchon Myeon, Gimhae-city Gyeongnam, Korea

Tel. +82-55-321-0578 Fax. +82-55-321-0573

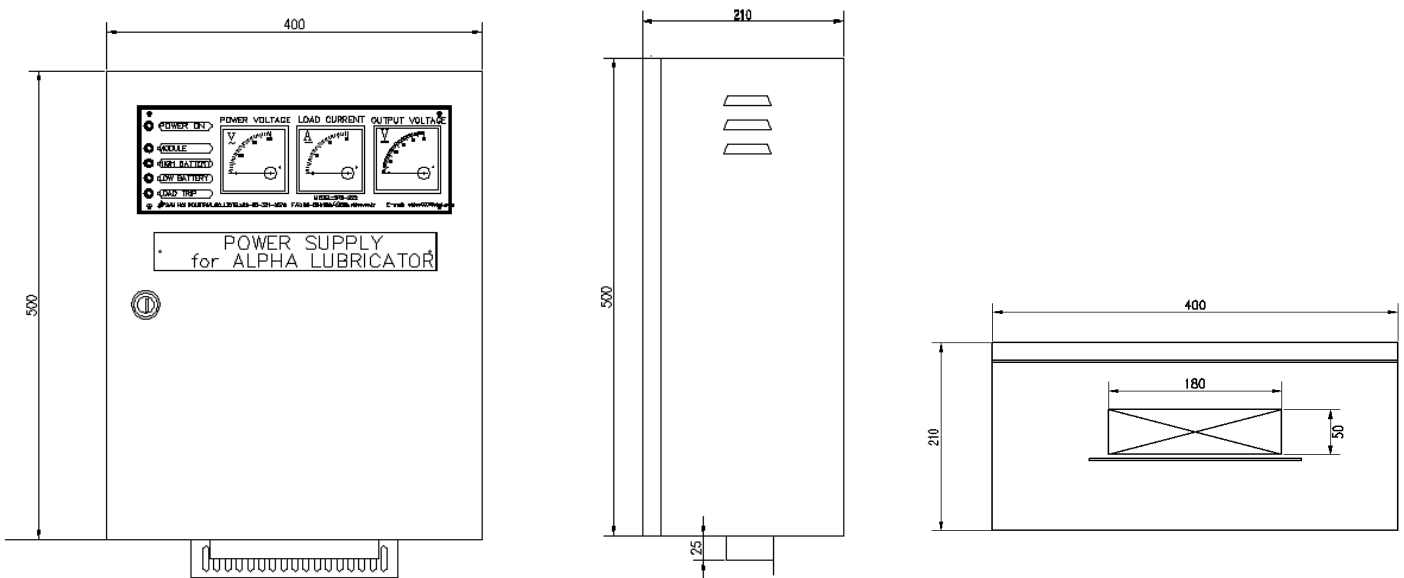
E-mail: shico007@chol.com Homepage : www.shico.co.kr

L-25

■ CABLE CONNECTION



■ DIMENSION



[FRONT VIEW]

[SIDE VIEW]

[BOTTOM VIEW]



SAM HOI INDUSTRIAL CO., LTD.

#48-2, 66-BeonGil, Golden root-Ro, Juchon Myeon, Gimhae-city Gyeongnam, Korea

Tel. +82-55-321-0578 Fax. +82-55-321-0573

E-mail: shico007@chol.com Homepage : www.shico.co.kr