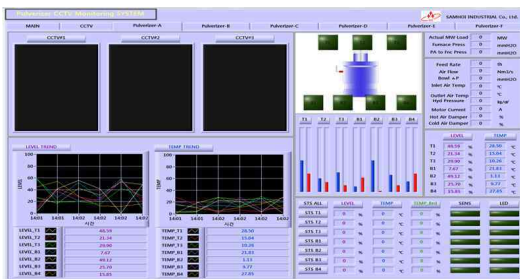


# SHICO. MODEL:SHC-2000 PFMS PULVERIZER FIRE MONITORING SYSTEM

## ■ INTRODUCTION

- The monitoring system that surveys flames and fire inside pulverizer by using the silicon photo diode and CCD camera.
- PFMS is designed to integrate all informations obtained with silicon photo diode and CCD camera and to monitor all image with 22 inch LCD monitor in real time in the central control room.
- PFMS consists of a sensor head assembly device, junction box, signal interface equipment with cable, and master controller.
- In order to detect flame and fire, each pulverizer is equipped with sensors that operate in visible and infrared rays between 320nm and 1000nm.
- In order to survey flame and fire, each pulverizer is equipped with three CCD cameras that can monitor inside pulverizer. CCD camera has the function of heat proof for the high temperature inside pulverizer as well as data analysis for the images. CCD lenses Specially designed for the high temperatures inside pulverizer provide all informations related to pipes and valves.
- The controller consist of a 22 inch LCD monitor, color laser printer and industrial computer with application software.
- Durability of sensor assembly as well as fire alarm and temperature of sensor head are transmitted to the monitor with alarm signal and bell sound, furthermore all informations are recorded in the monitor.
- The result data related to dates and times are stored in an error log files, and PFMS is designed to transmit the common alarm signals of fire and system for each pulverizer to ICMS through the cable attached to the hardware or data connection for immediate recognition.



**SAM HOI INDUSTRIAL CO., LTD.**

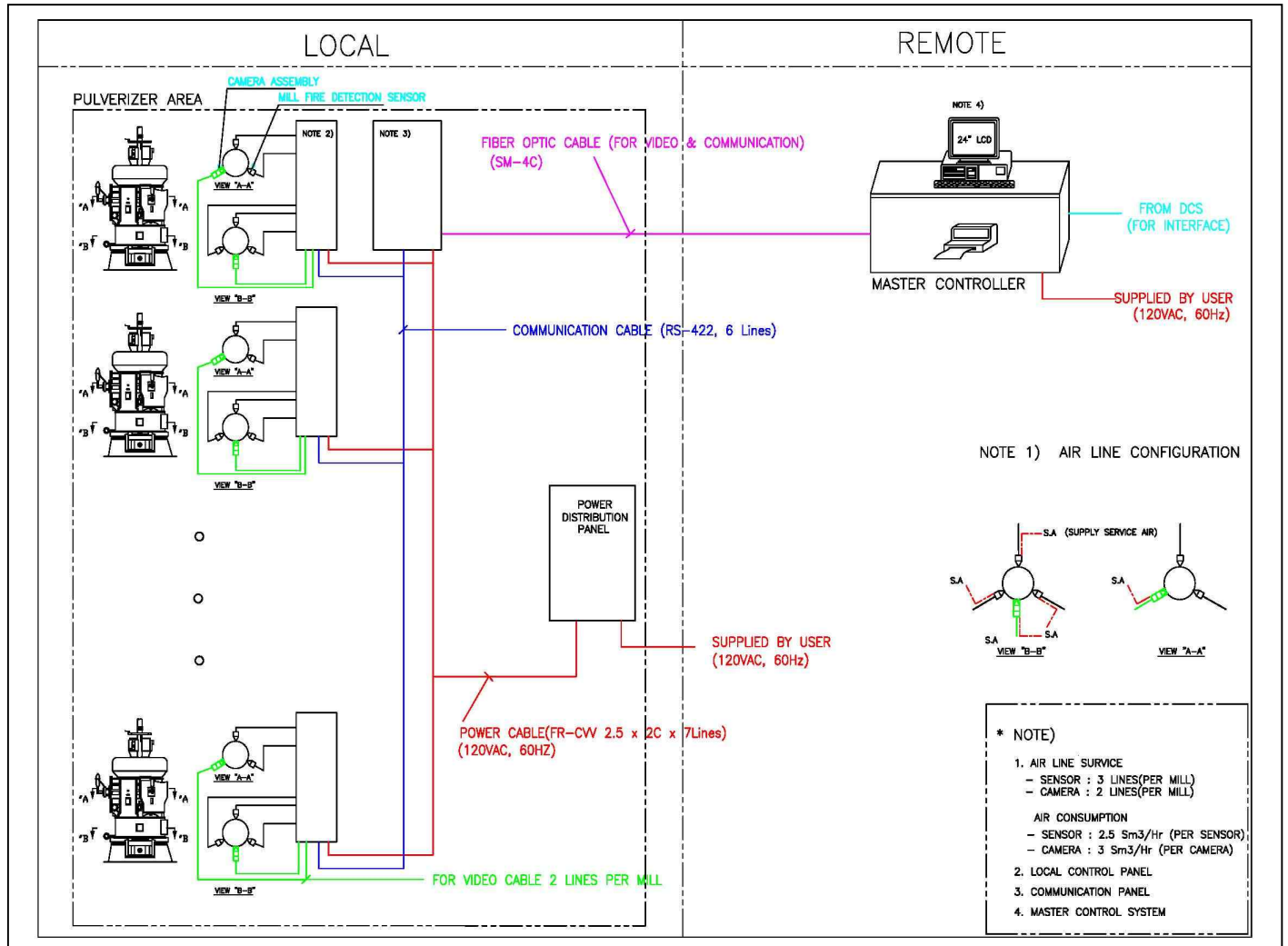
#48-2, 66-BeonGil, Golden root-Ro, Juchon Myeon, Gimhae-city Gyeongnam, Korea

Tel. + 82-55-321-0578 Fax. + 82-55-321-0573

E-mail: shico007@chol.com Homepage : [www.shico.co.kr](http://www.shico.co.kr)

# SHICO. MODEL:SHC-2000 PFMS PULVERIZER FIRE MONITORING SYSTEM

## ■ CONFIGURATION



SAM HOI INDUSTRIAL CO., LTD.

#48-2, 66-BeonGil, Golden root-Ro, Juchon Myeon, Gimhae-city Gyeongnam, Korea

Tel. + 82-55-321-0578 Fax. + 82-55-321-0573

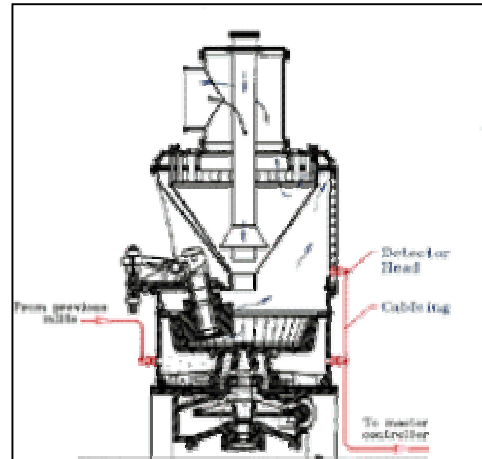
E-mail: shico007@chol.com Homepage : [www.shico.co.kr](http://www.shico.co.kr)

# SHICO. PULVERIZER FIRE MONITORING SYSTEM

MODEL:SHC-2000 PFMS

## Pulverizer Fire Monitoring System (PFMS)

1. Probe(sensor) & CCD camera with special cable
  - 1) Silicone photo diode
  - 2) CCD Camera
  - 3) Sensor head ass'y, junction box, signal interfacing equipment, interfacing cable etc.
2. Sensor control panel
  - 1) Interface enclosure
  - 2) Video cable
3. Power distribution panel
4. Communication panel
  - 1) Including RS-422 and FO converter
5. Server rack system with 19" LCD Monitor
  - 1) Including communication module
  - 2) OPC gateway for interfacing with RtPGMS.
6. Master control system with 22" LCD Monitor
7. Color laser printer
8. Touch-up paint (not less than 10% of total paint)
9. Communication device for interface with RtPGMS
  - 1) OPC gateway
  - 2) Switching hub
10. Spare parts, special tools and testing equipments according to customer's requirement.  
(detailed cost breakdown required)



SAM HOI INDUSTRIAL CO., LTD.

#48-2, 66-BeonGil, Golden root-Ro, Juchon Myeon, Gimhae-city Gyeongnam, Korea

Tel. +82-55-321-0578 Fax. +82-55-321-0573

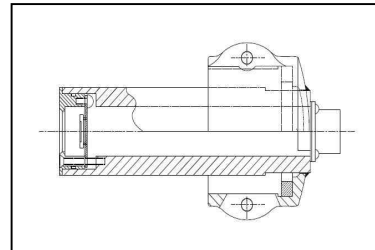
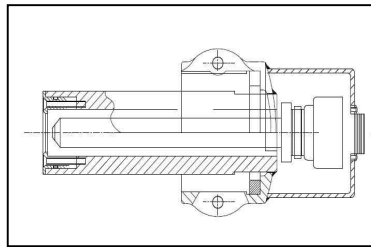
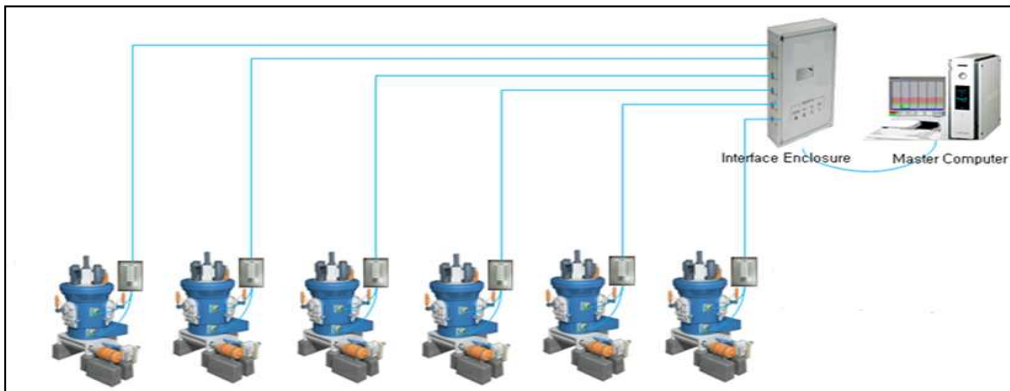
E-mail: [shico007@chol.com](mailto:shico007@chol.com) Homepage : [www.shico.co.kr](http://www.shico.co.kr)

SHICO.

PULVERIZER FIRE MONITORING SYSTEM

MODEL:SHC-2000 PFMS

■ SYSTEM CONFIGURATION



[SENSOR & CAMERA INSTALLATION]



SAM HOI INDUSTRIAL CO., LTD.

#48-2, 66-BeonGil, Golden root-Ro, Juchon Myeon, Gimhae-city Gyeongnam, Korea

Tel. + 82-55-321-0578 Fax. + 82-55-321-0573

E-mail: shico007@chol.com Homepage : [www.shico.co.kr](http://www.shico.co.kr)