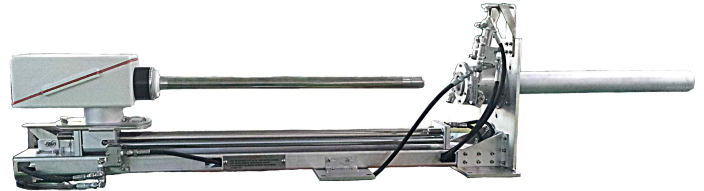


SHICO. HIGH TEMP' FURNACE CCTV MONITORING SYSTEM

MODEL : SH2000 Series

SH2000-Series can be used in the condition of extremely high temperature inside furnace. It is designed to observe the ignition condition and furnace interior.

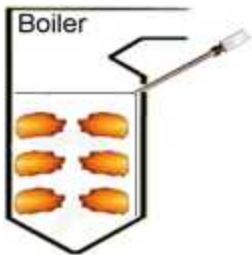
When in emergency condition, lens tube is retracted automatically.



SYSTEM TYPE

- AIR COOLING SYSTEM
- AIR & WATER COOLING SYSTEM (Optional Spec)

FUNCTION DIAGRAM



SPECIFICATION

Furnace CCTV Camera Assembly

- Camera Type : 1/2" Interline CCD
- Cooling Type : Air
- Maximum Usable Temperature : 2000°C
- Lens Mount : C Mount
- Diaphragm Adjustment : Auto IRIS / Manual Control (Optional Spec)

Local Control Unit

- Protection : IP55
- Mounting Type : Stand or Wall Type
- Operating Temperature : -10~70°C

Compressed Air Unit

- Pressure range : 3.5 ~ 7 bar
- Maximum operating pressure : 10bar
- Nominal filtration rate : 5µm
- Operating temperature : -10~70°C

Cooling Water Unit

- Required input : 4~25 bar
- Flow rate : 2L/min ~ 20L/min
- Operating temperature : 0~50°C

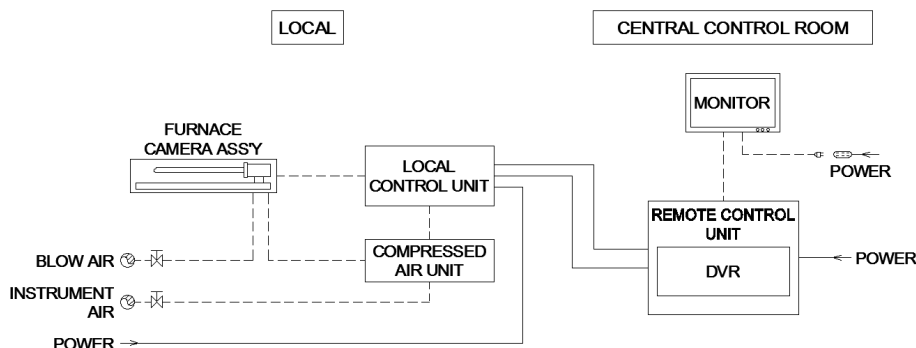
Retraction Unit

- Operating length : Max 1500mm
- Working air pressure : 3.5 ~ 7 bar
- Maximum pressure : 10 bar
- Shutter type : shutter open & close air cylinder(auto)

Lens Tube

- Tube Material : Titanium / • Air Inlet Fitting : 1/2"
- Tube Size(mm) : Φ38
- Cooling Type : air cooling
- Viewing Angle : see of ordering code

FURNACE CAMERA SYSTEM CONFIGURATION



SAM HOI INDUSTRIAL CO., LTD.

#48-2, 66-BeonGil, Golden root-Ro, Juchon Myeon, Gimhae-city Gyeongnam, Korea

Tel. + 82-55-321-0578 Fax. + 82-55-321-0573

E-mail: shico007@chol.com Homepage : www.shico.co.kr

SHICO. HIGH TEMP' FURNACE CCTV MONITORING SYSTEM

MODEL : SH2000 Series

VIEWING ANGLE



STRAIGHT VIEW

In order to acquire necessary view of burner flames inside furnace, the lens tube assembly needs diagonal installation in furnace wall depending on calculation between lens viewing angle and flame location.



ELBOW VIEW

Without diagonal installation of the lens tube assembly to observe burner flames inside furnace, horizontal installation of the lens tube assembly with the prism incorporated in lens tube can ensure downward direction view.

ORDERING CODE

SH2000-

A	COOLING TYPE
1	AIR COOLING
2	AIR + WATER COOLING
B	RETRACTION TYPE
1	Electric Retraction
2	Air Retraction
C	VIEWING OF LENS TUBE
1	Straight View [Diagonal : 70°, Horizontal : 58°, Vertical : 45°]
2	Straight View [Diagonal : 90°, Horizontal : 72°, Vertical : 58°]
3	Straight View [Diagonal : 110°, Horizontal : 97°, Vertical : 80.7°]
4	etc (User Requirement)
5	Elbow View [Diagonal : 55°, Horizontal : 45°, Vertical : 33°]
6	Elbow View [Diagonal : 60°, Horizontal : 50°, Vertical : 35°]
7	Elbow View [Diagonal : 65°, Horizontal : 55°, Vertical : 40°]
8	Elbow View [Diagonal : 70°, Horizontal : 58°, Vertical : 45°]
9	etc (User Requirement)
D	Probe lens length
1	480~1500 mm
2	etc (User Requirement)

SH2000 -



SAM HOI INDUSTRIAL CO., LTD.

#48-2, 66-BeonGil, Golden root-Ro, Juchon Myeon, Gimhae-city Gyeongnam, Korea

Tel. +82-55-321-0578 Fax. +82-55-321-0573

E-mail: shico007@chol.com Homepage : www.shico.co.kr

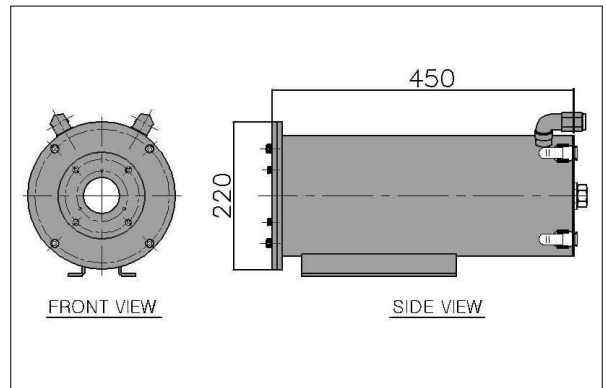
SHICO. HIGH TEMP' FURNACE CCTV MONITORING SYSTEM

MODEL : SH2000 Series

HOUSING

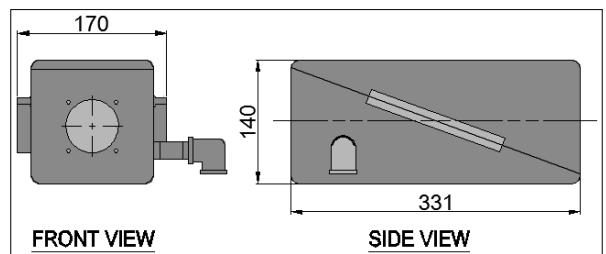
High Temperature Housing (Model : SAHT-1)

NAME	SPECIFICATION
APPLICATION	Water cooling
HEATING LIMIT	For use in ambient temperature up to 93.3℃
MATERIAL/THICKNESS	SS304 / 1.6t
WATER REQUIREMENT	4ℓ/min at 2~4.5kg/cm ²
WEIGHT	35kg (Including cooling water) 25kg (Not including cooling water)
SIZE (mm)	450(L) x 220(O.D)



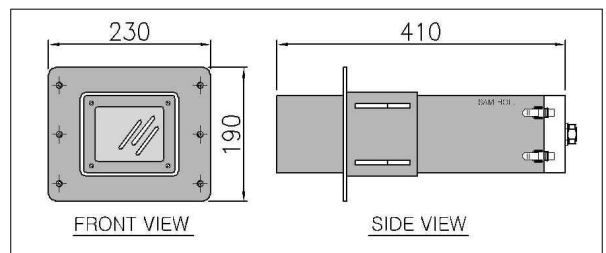
Air Cooling Housing (Model : SAAWH-400A)

NAME	AIR COOLING HOUSING
Cooling air supply	1.0 ~ 2.0m ³ /min at 2.0 ~ 4.0kg/cm ²
Material/Thickness	AL / 5t
Weight	6kg
Size (mm)	170(W) x 140(H) x 331(L)



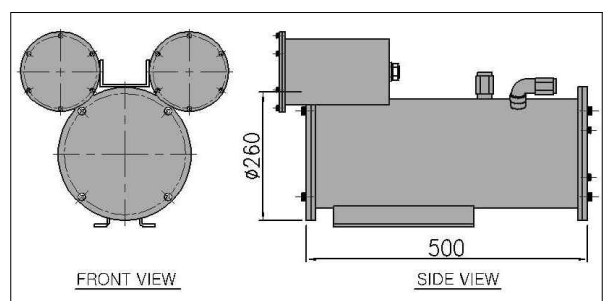
Drum Level Housing (Model : SADH-300A)

NAME	SPECIFICATION
Cooling air supply	1.0 ~ 2.0m ³ /min at 2.0~4.0kg/cm ²
Material/Thickness	SS304 / 1.6t
Weight	6.5kg
Size (mm)	230(W) x 190(H) x 410(L)



Under Water Housing (Model : SAWH-400U)

NAME	SPECIFICATION
Application	Under water type
Glass	5mm
Material/Thickness	SS304 / 1.6t
Weight	28kg
Size (mm)	500(L) x 260(O.D)



SAM HOI INDUSTRIAL CO., LTD.

#48-2, 66-BeonGil, Golden root-Ro, Juchon Myeon, Gimhae-city Gyeongnam, Korea

Tel. +82-55-321-0578 Fax. +82-55-321-0573

E-mail: shico007@chol.com Homepage : www.shico.co.kr

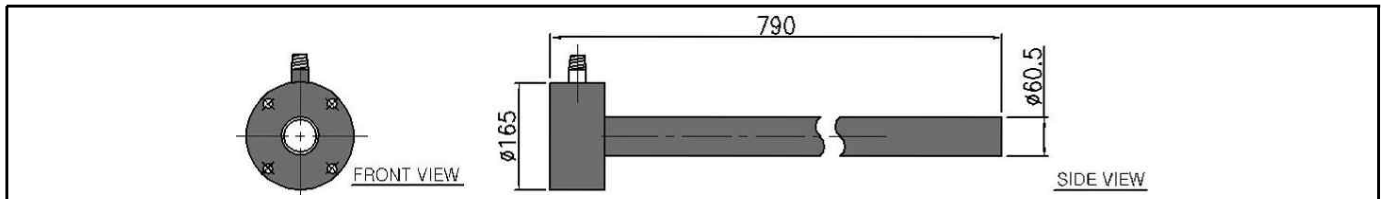
SHICO. HIGH TEMP' FURNACE CCTV MONITORING SYSTEM

MODEL : SH2000 Series

WALL BOX / WATER SHROUD

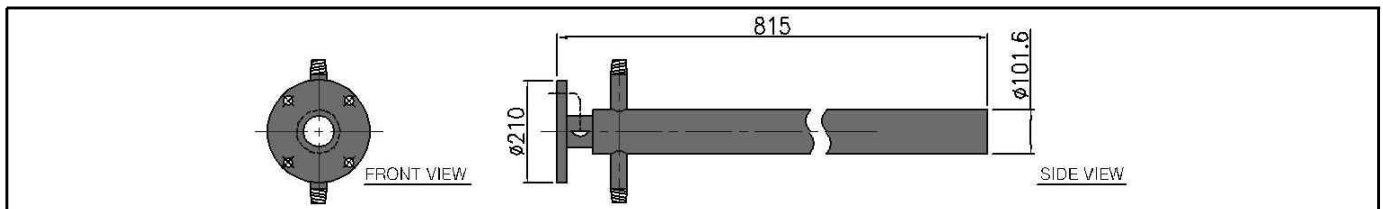
■ Wall Box (Model : SATVW-3000)

NAME	SPECIFICATION		
Viewing	Straight	Air inlet hole	1" PT(NPT)
Construction	Stainless Steel (SS316, SS304)	Weight	18.1 Kg
Air requirement	Sealing air - 1.2m ³ /min	Dimension	790(L) × 165(O.D)mm



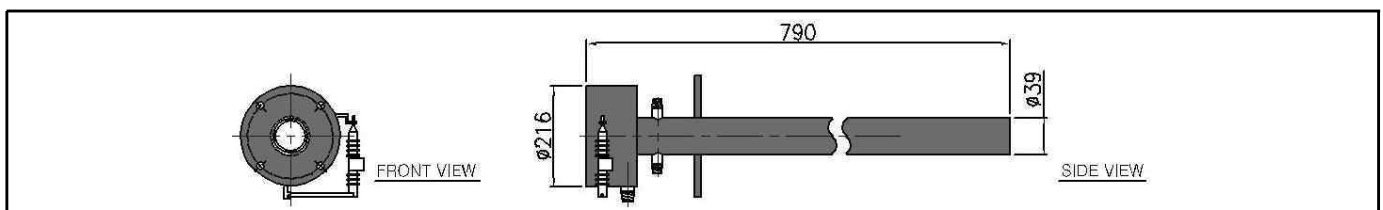
■ Water Shroud (Negative type) (Model : SAWS-3000N)

NAME	SPECIFICATION		
Viewing	Straight	Water inlet hole	40 SCFM at furnace pressure above 9" H ₂ O
Construction	Stainless Steel (SS316, SS304)		
Water requirement	60 GPH 95°F(35°C) for furnace temperature 1800°F(1000°C) to 3600°F(2000°C)	Dimension	815(L) × 210(O.D)mm



■ Water shroud (Positive type) (MODEL : SAWS-3000P)

NAME	SPECIFICATION		
Viewing	Straight	Water requirement	40 SCFM at furnace pressure above 9" H ₂ O
Construction	Stainless Steel (SS316, SS304) Air shutter - Teflon		
Water requirement	60 GPH 95°F(35°C) for furnace temperature 1800°F(1000°C) to 3600°F(2000°C)	Dimension	790(L) × 216(O.D)mm



SAM HOI INDUSTRIAL CO., LTD.

#48-2, 66-BeonGil, Golden root-Ro, Juchon Myeon, Gimhae-city Gyeongnam, Korea

Tel. +82-55-321-0578 Fax. +82-55-321-0573

E-mail: shico007@chol.com Homepage : www.shico.co.kr

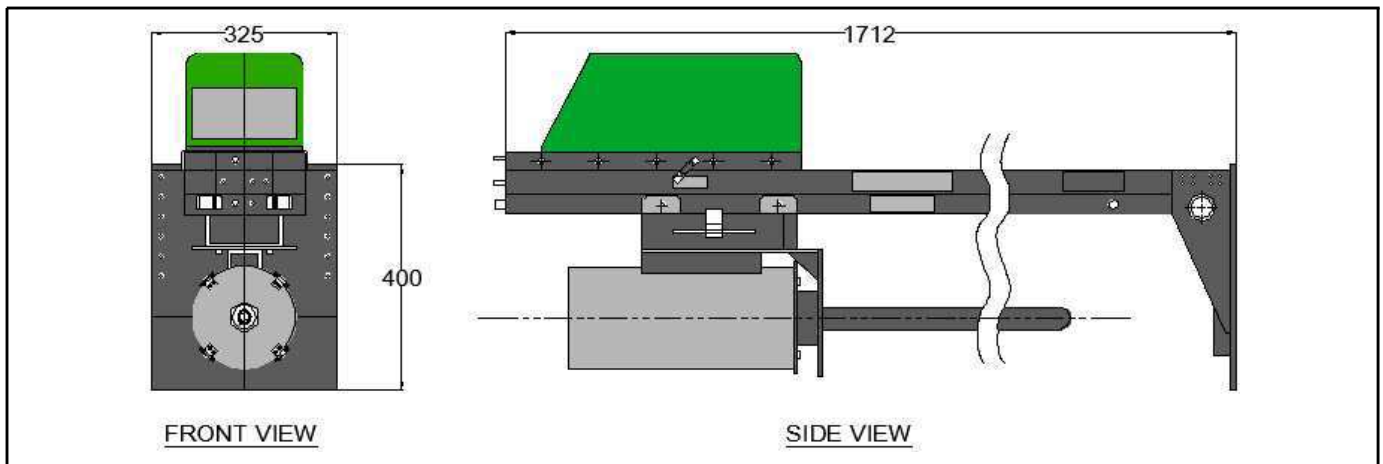
SHICO. HIGH TEMP' FURNACE CCTV MONITORING SYSTEM

MODEL : SH2000 Series

RETRACTORS

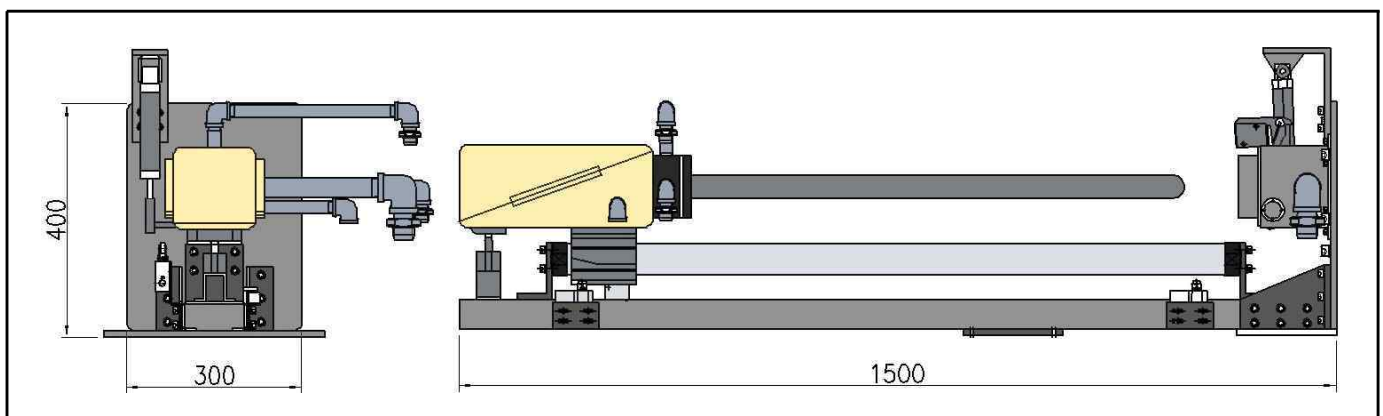
■ Electric Retraction Unit (Model : SAERET-3000)

NAME	SPECIFICATION		
Motor	1/4 Hp. Insulation class 'E'	Material of frame	Carbon steel/ SS
Speed	0.174 m/sec	Weight	30 Kg
Ball Screw	Shaft out diameter - Ø28 Square Nut - Quantity 1 EA	Dimension	1712(L)mm
Power Consumption	320 Watts (3PH, 440V, 60Hz)	※ Power Spec is changable by user request.	



■ Air Retraction Unit (MODEL : SAARET-3000)

NAME	SPECIFICATION		
Cylinder	Ø 20~50 tube	Material of frame	SS304
Speed	150 ~ 500 mm/sec	Weight	15 Kg
Stroke	1000mm	Dimension	1500(L)mm
Air Consumption	3.0 ~ 4.5 Kg/cm ³		



SAM HOI INDUSTRIAL CO., LTD.

#48-2, 66-BeonGil, Golden root-Ro, Juchon Myeon, Gimhae-city Gyeongnam, Korea

Tel. +82-55-321-0578 Fax. +82-55-321-0573

E-mail: shico007@chol.com Homepage : www.shico.co.kr

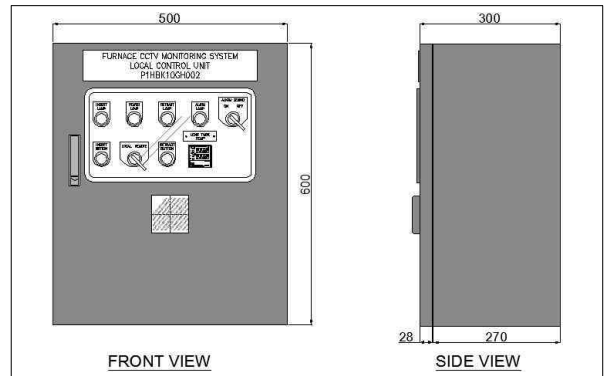
SHICO. HIGH TEMP' FURNACE CCTV MONITORING SYSTEM

MODEL : SH2000 Series

LOCAL CONTROL UNIT

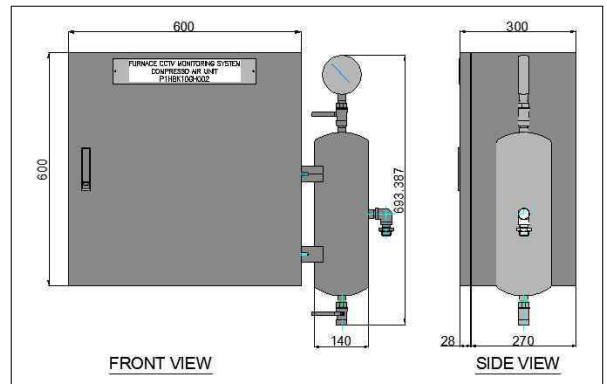
Local control unit (MODEL : SALCU-3000)

NAME	SPECIFICATION
Power	AC 110~220V, 50/60Hz
Input signal	Hi-temperature, Low pressure
Material	SS316
Thickness	Front 2.0t, Other Side 2.0t
Weight	16 Kg
Size (mm)	500(W)×600(H)×300(D)
Protection	IP65
Function	Insert & Retract Control



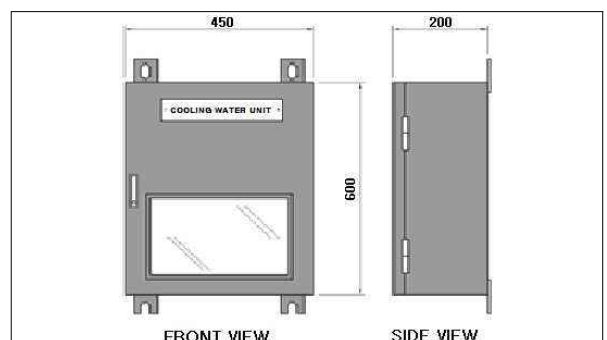
Compressed Air Unit (MODEL : SACAU-3000)

NAME	SPECIFICATION
Material	Steel / Stainless Steel
Material	SS316
Thickness	1.6t / 2.0t
Air Bessel	Air Capacity :5.9ℓ Air Output Capacity : 50~98m³/h Pressure : 3.5~7 bar
Weight	20Kg
Size (mm)	600(W)×600(H)×300(D)



Cooling Water Unit (MODEL : SACWU-3000)

NAME	SPECIFICATION
Material	Steel / Stainless Steel
Thickness	1.6t / 2.0t
Weight	16 Kg
Size (mm)	450(W)×600(H)×200(D)



※ Note 1. : Mounting Type is separated wall and angle mount. (User option)

※ Note 2. : Standard color depends on user requirement.



SAM HOI INDUSTRIAL CO., LTD.

#48-2, 66-BeonGil, Golden root-Ro, Juchon Myeon, Gimhae-city Gyeongnam, Korea

Tel. +82-55-321-0578 Fax. +82-55-321-0573

E-mail: shico007@chol.com Homepage : www.shico.co.kr