

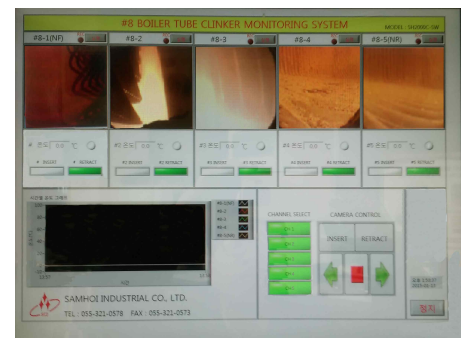
SHICO. MODEL : SHC-2000 BTCM BOILER(SH/RH) TUBE CLINKER MONITORING SYSTEM

FEATURE

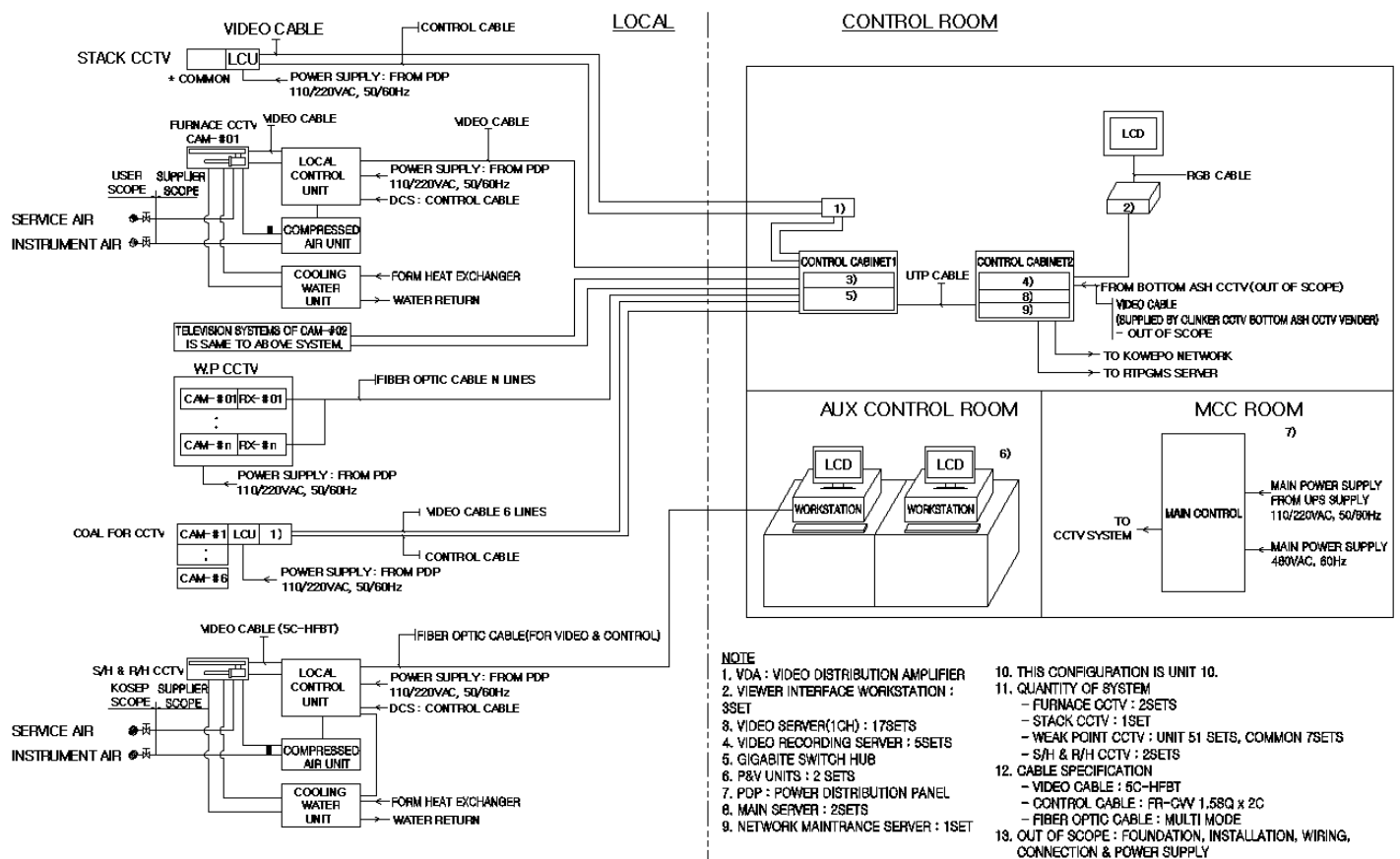
Adherence of soots on the outside of S/H and R/H causes the decline of thermal efficiency, even dropping of build-up clinkers may cause interruption of operating furnace, therefore it is needed to monitor the condition of adherence of soots on the outside of S/H and R/H.

In order to monitor the condition of boiler interior, it is needed to insert the camera inside boiler so that pin holes on tube surface and ruptures of tube can be found promptly and exactly to prevent any trouble.

SHC-2000 BTCM is able to perform direct operation of the camera and monitoring the pollution and build-up condition inside boiler from the central room during boiler operation by installing camera system that can move and rotate in boiler tubes concentrated area.



SYSTEM DIAGRAM



SAM HOI INDUSTRIAL CO., LTD.

#48-2, 66-BeonGil, Golden root-Ro, Juchon Myeon, Gimhae-city Gyeongnam, Korea

Tel. +82-55-321-0578 Fax. +82-55-321-0573

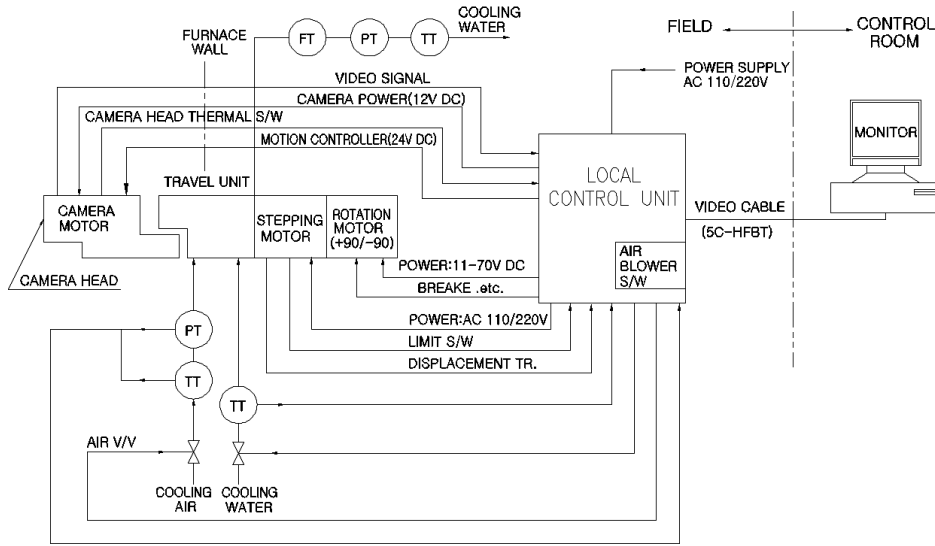
E-mail: shico007@chol.com Homepage : www.shico.co.kr

SHICO.

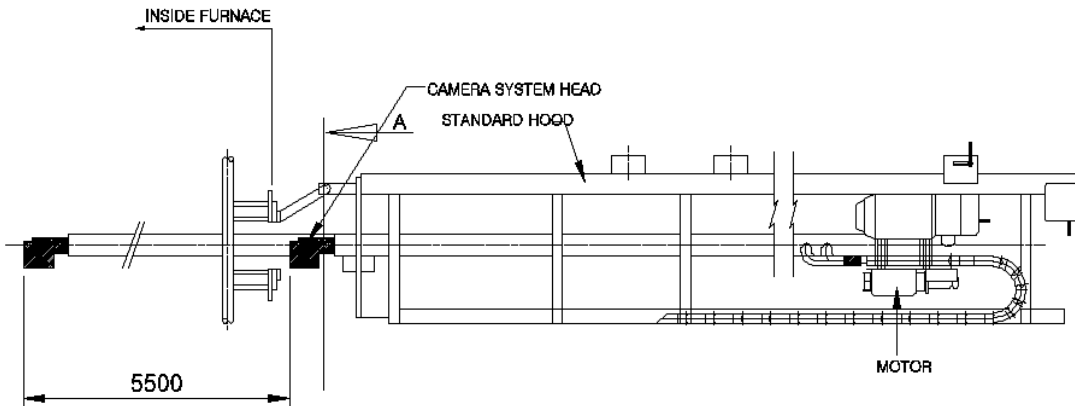
BOILER(SH/RH) TUBE CLINKER MONITORING SYSTEM

MODEL : SHC-2000 BTCM

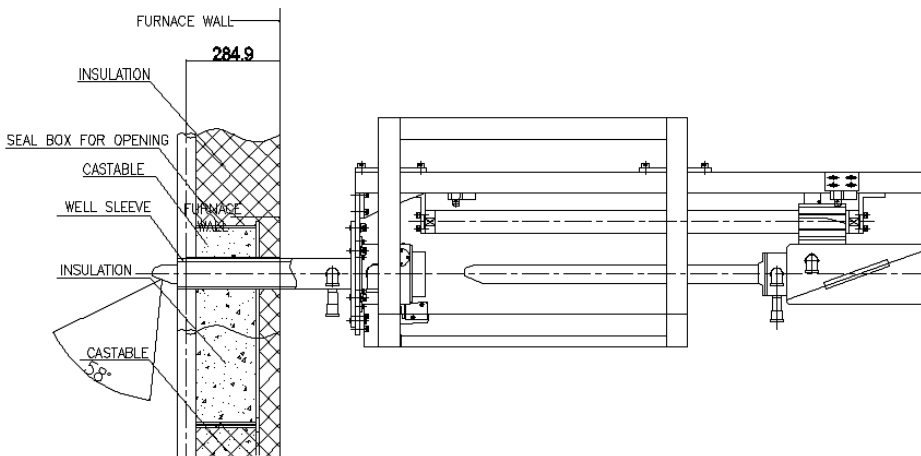
■ S/H & R/H BLOCK DIAGRAM



■ SH-RH CLINKER (PAN TILT ZOOM, SH-RH)



■ FURNACE CCTV DEVICE (360° ROUNDING)



SAM HOI INDUSTRIAL CO., LTD.

#48-2, 66-BeonGil, Golden root-Ro, Juchon Myeon, Gimhae-city Gyeongnam, Korea

Tel. +82-55-321-0578 Fax. +82-55-321-0573

E-mail: shico007@chol.com Homepage : www.shico.co.kr