

SHICO. MODEL : SGPI Series STAND TYPE GATE POSITION INDICATOR

The SGPI have usage to indicate a condition of opening or closing of the water-gate.

This instrument which is connected with mechanism to move up and down the water-gate on the scale plate through using reduced gear mechanism which was received rotational angular as input.

The SGPI have supplemental function which can incorporate the auto-control or computer as built in a synchronous system and limit-switches which able to deliver when the customer ask for some option in old time.

■ FEATURES

- Possible to built in the limit switch to 6 sets.
- Can combine two set of synchro-transmitters or two set of potentiometer for transmitting a signal.
- Able to built in reducing gear deviser which have high accuracy, 1/200 of mortification or sensitiveness.
- Capable to mount a contact terminal to 40 set's.
- Have inter changeability for other production.
- Easy handling (adjusted a limit point by a setting knob)
- Anti-corrosion, long life.

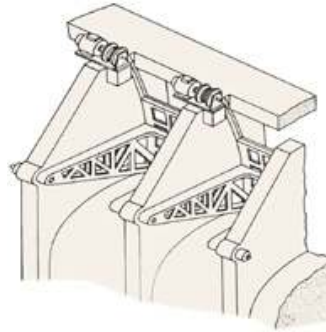
■ STANDARD FEATURES

- Micro switch type
- Single needle type
- Switch contact form : SGPI

■ TECHNICAL DATA

Measuring range	Max 50m
Input shaft	Radial load; below 15Kg
	Thrust load; below 10Kg
	Allowable rotating speed; below 300rpm
Cam	Diameter ϕ 100 ϕ 56
	Cam stroke : 4mm
Accuracy of the ratio	$\pm 10\text{mm}(\text{stroke};50\text{m})$
Accuracy	Below 1/2 of minimum reading value
	(allowable max division : Z°)
Ambient Temperature	-20 to +60°C
Power source	AC 110/220V 60Hz
Output signal	AC 250V 15A
Dielectric strength	AC 1000V 1 min
Insulation resistance	DC 50V 10M Ω
Material	Base : ALDC
	Pipe : SS41
	Head : ALDC

□ SHAPE OF WATER GATE



■ SWITCH CONTACT RATING

Electric switch modules with on or sixth independent SGPI contacts rated at : AC250V 15A

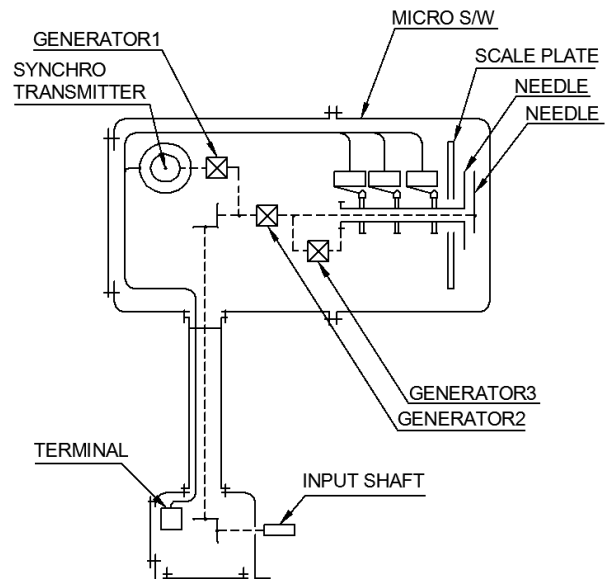
■ ENCLOSURES TYPE

Weather proof

■ OPTIONAL PART

Potentiometer type
Output signal : 0-1, 4-20mA DC
(R/I Converter) B.C.D.
Switch contact form : DPDT
A/D converter

■ CONSTRUCTION



SAM HOI INDUSTRIAL CO., LTD.

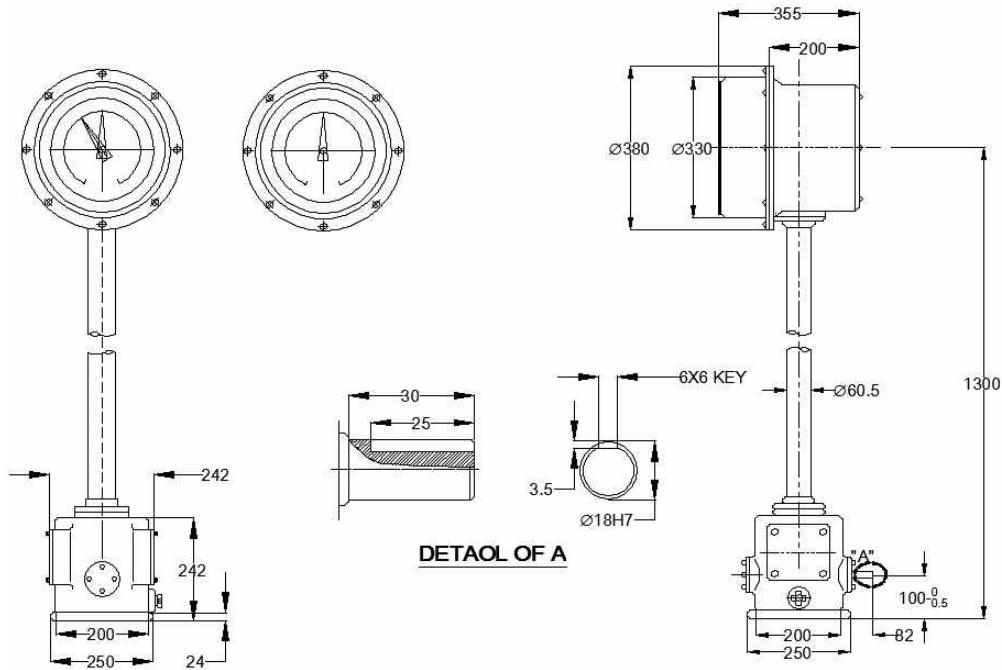
#48-2, 66-BeonGil, Golden root-Ro, Juchon Myeon, Gimhae-city Gyeongnam, Korea

Tel. +82-55-321-0578 Fax. +82-55-321-0573

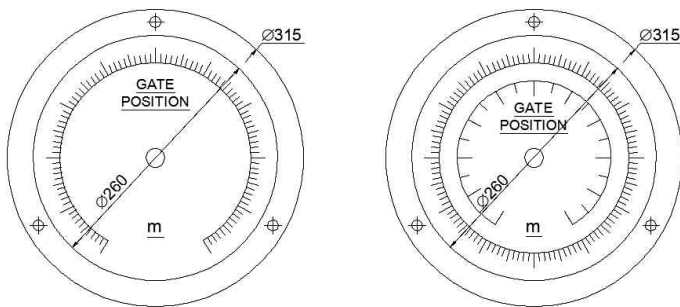
E-mail: shico007@chol.com Homepage : www.shico.co.kr

SHICO. MODEL : SGPI Series STAND TYPE GATE POSITION INDICATOR

■ DIMENSIONS



■ SCALE PLATE DIMENSIONS



■ ORDERING INFORMATION

CODE	LIMIT S/W
0	Limit Switch Points
↓	
6	
CODE	SPECIAL
S1	Synchro one pieces
S2	Synchro two pieces
AD	A/D converter
P1	Potentiometer
SP	Synchro and potentiometer

SGPI

- Full stroke : m
- Power source : AC, V, Hz
- Input axis spec : mm/rev
- Rotating direction of reel : direction
- Indication scope : m



SAM HOI INDUSTRIAL CO., LTD.

#48-2, 66-BeonGil, Golden root-Ro, Juchon Myeon, Gimhae-city Gyeongnam, Korea

Tel. +82-55-321-0578 Fax. +82-55-321-0573

E-mail: shico007@chol.com Homepage : www.shico.co.kr

A-27