

SHICO. GATE POSITION INDICATOR

MODEL : SGPT Series

SGPT for measuring gate position is a transmitter, which measure gate position from long-distance and mount on facilities of discharge water, such as, dam, meter synchro transmitter, limit switch etc. As to positive, irrigation through A/D converter install petitionable receiving a various signal.

It is most reasonable for transmitter of gate position as using of data logger and relay meter of computer. That is using for centralize control of water-gate, irrigation.

■ TECHNICAL DATA

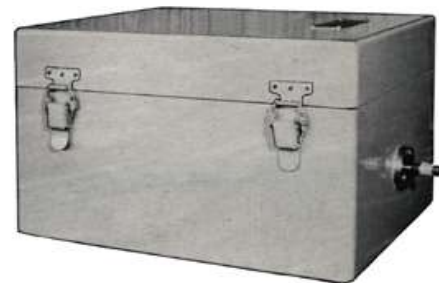
- Measuring range : Max 50m
- Input shaft :
 - Radial load : Less than 15Kg
 - Allowable rotating speed : Within load 10Kg thrust less than 6 rpm
 - Shift abrasion : Less than 5Kg/cm
- Cam : Outside diameter Ø56 limit switch
- Hysteresis about 2°standard make width 15°
- Accuracy : ±10mm (struck 50)
- Allowable temperature : -20°C ~ +60°C
- Output signal : Micro s/w
 - (1 set with 6 point AC250V 15A)
- Power source : AC110/220V 50/60Hz
- Dielectric strength : AC1000V 1Min
 - (Dielectric power line and chassis)
- Insulation resistance : DC 500V 10MΩ
- Material : Bass-SS41
 - Box-SS41

■ FEATURES

Be capable to mount limit switch inside onless than 6 set. Could combine transducer for two set of synchro transmitter or two set of potentiometer each other. Could mount reducing gear box inside which have high accuracy, 1/200 of multiplication or sensitiveness. Have exchange ability for other production.

■ STANDARD FEATURES

- Micro switch type
- Digital indicator type
- A/D converter type
- Switch contact form : SPDT



■ OPTIONAL FEATURES

- Potentiometer type
- Output signal : 0~1, 4-20mA DC
 - (R/I converter) B.C.D.
- Switch contact form : DPDT
- Synchro type (62G or 86G)

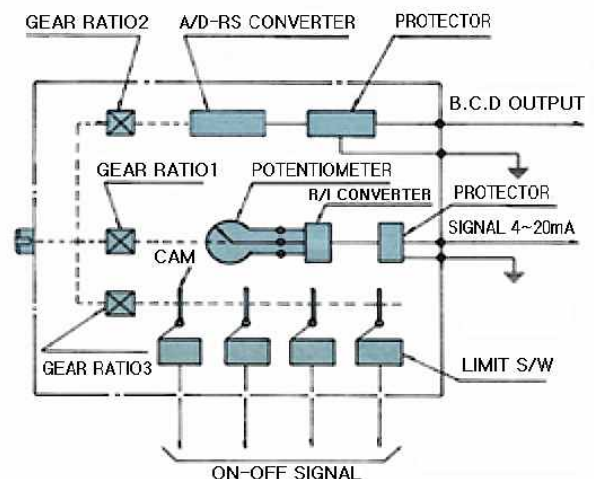
■ SWITCH CONTACT RATING

- Electric switch modules with one or sixth independent SPDT contacts rated at : AC 250V 15A

■ ENCLOSURES TYPE

- Weather proof

■ CONSTRUCTION



SAM HOI INDUSTRIAL CO., LTD.

#48-2, 66-BeonGil, Golden root-Ro, Juchon Myeon, Gimhae-city Gyeongnam, Korea

Tel. +82-55-321-0578 Fax. +82-55-321-0573

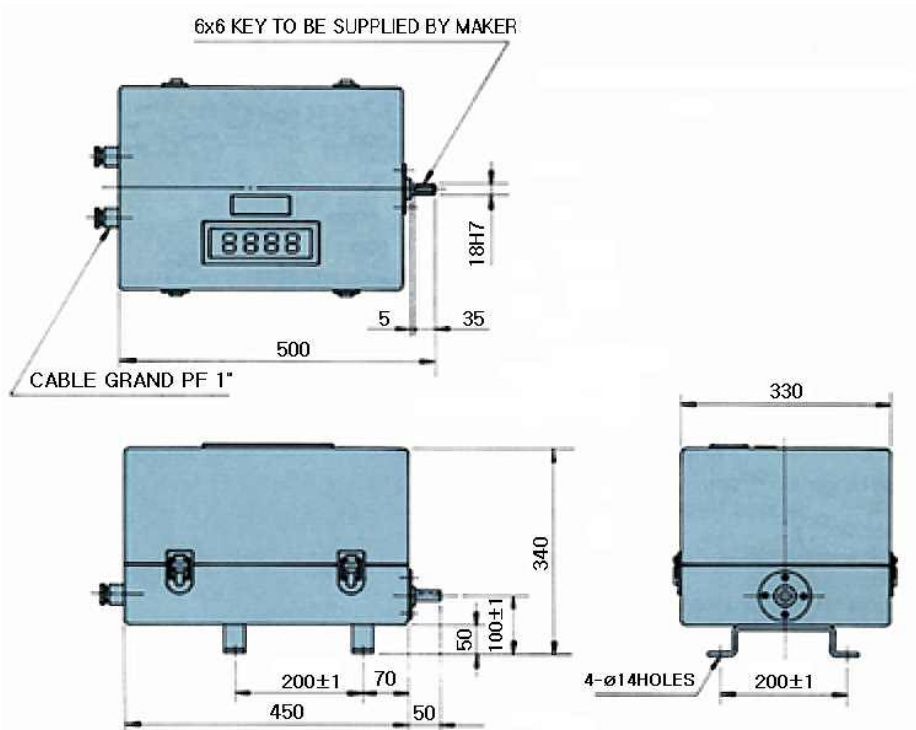
E-mail: shico007@chol.com Homepage : www.shico.co.kr

A-29

SHICO. GATE POSITION INDICATOR

MODEL : SGPT Series

■ DIMENSIONS



■ ORDERING INFORMATION

SGPT -	CODE	LIMIT S/W
	0	
	3	Quantity of limit switch
	6	
	CODE	SPECIAL
	S1	Synchro one pieces
	S2	Synchro two pieces
	AD	A/D converter (BCD)
	P1	Potentiometer, R/I(4~20mA)
	SP	Synchro and potentiometer
	SA	Synchro and A/D converter

※ Customization details

- ▶ Full stroke : m
- ▶ Input axis spec : mm/rev
- ▶ Rotating direction of need : direction
- ▶ Indication scope : m

SGPT -



SAM HOI INDUSTRIAL CO., LTD.

#48-2, 66-BeonGil, Golden root-Ro, Juchon Myeon, Gimhae-city Gyeongnam, Korea

Tel. +82-55-321-0578 Fax. +82-55-321-0573

E-mail: shico007@chol.com Homepage : www.shico.co.kr