

SHICO. TUBULAR TYPE LEVEL GAUGE

MODEL : STG Series

The tubular glass type is the simplest water(liquid) level gauge used at the 10Kg/cm² and under, and especially where installation length is over 1.5m, intermediate joint can be used. Also for glass tube, hardened, lined in red, pyrex, organic glass can be used.

STG-1	STG-2	STG-3	STG-4
			
Material : Carbon steel Stainless steel Bronze Pressure : 10Kg/cm ² Size : 15A, 20A, 25A. Usage : Various chemical divides	Material : Carbon steel Stainless steel Pressure : 10Kg/cm ² Size : 15A, 20A, 25A. Usage : Various chemical divides	Material : Carbon steel Stainless steel Bronze Pressure : 10Kg/cm ² Size : JIS F7212 Usage : Various chemical divides.	Material : Carbon steel Stainless steel Bronze Pressure : 10Kg/cm ² Size : 15A, 20A, 25A. Usage : For boiler

■ SPECIFICATIONS

Tubular type level gauge have as transparent parts a glass tube of 18mm outside diameter. The limitation of the operating condition is due to tempered glass aryl tube or Teflon tube. As the glass tubes are usually found on sale up to a maximum standard length of about 2000mm, when the center to center distance is longer the this size, the installation of several cascade disposed level gauges or the application of an intermediate support with packing box are necessary. In the later case the length of each glass tube will be half the center to center distance minus 17mm Upper and under gauge valve body with stainless steel ball check for automatic shutoff in the event of ruptures on the downstream' side of the Seat.

■ MATERIAL SPECIFICATION

Upper and under gauge valve body with stainless steel ball check for automatic shutoff in the event of ruptures on the downstream' side of the Seat.

Working pressure	5Kg/cm ² (Max).
Working temperature	100℃ (Max).
Sell Test Pressure	7Kg/cm ²

■ TUBE PROTECTOR

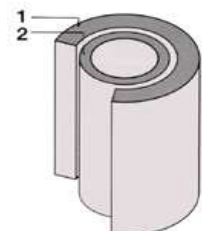


■ GLASS TUBE



■ COMPONENT

1. Tube protector
2. Glass tube



SAM HOI INDUSTRIAL CO., LTD.

#48-2, 66-BeonGil, Golden root-Ro, Juchon Myeon, Gimhae-city Gyeongnam, Korea

Tel. +82-55-321-0578 Fax. +82-55-321-0573

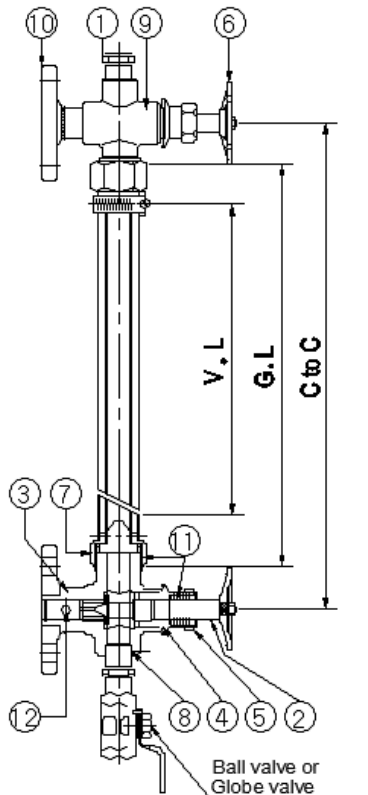
E-mail: shico007@chol.com Homepage : www.shico.co.kr

C-1

SHICO. TUBULAR TYPE LEVEL GAUGE

MODEL : STG Series

■ DIMENSION



NO	DESCRIPTION	Q'ty	MATERIAL	
1	Valve Body	2	CS	SCS13
2	Stem	2	SUS304	SUS304
3	Seat	2	SUS304	SUS304
4	Packing G/D	2	ASBESTOS	TEFLON
5	Packing Nut	2	C.S	SUS304
6	Handle	1	B.C	B.C
7	G.Nut	2	C.S	SUS304
8	Nipple	2	C.S	SUS304
9	Plug	1	C.S	SUS304
10	Flange	2	C.S	SUS304
11	Packing	4	MICA	TEFLON
G1	Glass	1	HARD	HARD
G2	Glass G/E	2	C.S	SUS304
G3	Protect Tube	1	SGP	SUS304
12	Check Ball	2	SUS304	SUS304

■ STANDARD CONNECTIONS

Vessel K.S	3/4" x 10Kg/cm ² Flange
Drain	3/4" PT

■ OPTIONAL CONNECTIONS

Vessel	3/4" JIS or NPT male
	3/4" male for welding
	Flange to requirements.
Center to center rating	300 to 3,500 mm
Visible glass	C to C : 200mm
Glass Length	C to C : 30mm

※ When ordering a level gauge please state :

- Center to center distance between connections (c to c)
- Standard, size and finishing of connections



SAM HOI INDUSTRIAL CO., LTD.

#48-2, 66-BeonGil, Golden root-Ro, Juchon Myeon, Gimhae-city Gyeongnam, Korea

Tel. +82-55-321-0578 Fax. +82-55-321-0573

E-mail: shico007@chol.com Homepage : www.shico.co.kr

C-2