

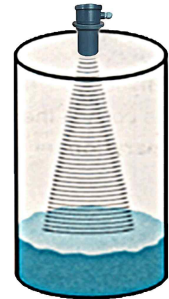
SHICO.

MODEL : SAI-710 Series ULTRASONIC REMOTE LEVEL CONTROLLER WITH PVC SENSOR

The SAI-710 Series product installed in various tank, with a back light display giving clear visual indication of the measured value and status of all inputs and outputs performs a wide variety control, fault indication or alarm duty.

■ FEATURES

- Controls, transmitters and displays
- Non-Contacting ultrasonics sensor
- 6 Relays for pump controls and level alarms
- Local display of measured value
- Tough weather proof wall mount enclosure



■ SENSOR SPECIFICATION

- Transmit Sensitivity : Min. 100B re 1uPa/V at 1m
- Beam Width(at-3dB) : 5 DEG
- Materials : Housing (P.P), Sensor(Ceramic)
- Acoustic Window : Glass Reinforced Epoxy
- Operating Temperature : -30°C~70°C
- Operating Pressure : Max 2bar
- Mechanical Protection : IP68
- Mounting Size : 4" ANSI 150 #RF
- Temperature Sensor : Built in PT100. Sensor
- Output : 4~20mA
- Cable Entry : PG11

■ ULTRASONIC LEVEL CONTROLLER SPECIFICATION

Technical Data

- Display Set : At 4mA, 0~10000m/m Set Possible
At 20mA, Max 10000m/m Set Possible
(Indicate level is displayed by Percentage)
- Mounting : 3-Φ5 Hole
- Cable Entry : 4-PG11
- Material : ABS
- Operating temperature : -10°C~ 70°C

Electrical Data

- Power Supply : AC 85~260V, 50/60Hz
- Input Power : DC 24V
- Input Type : DC 24V Loop Type DC 4~20mA
- Display : 6 Digit LCD Back Light
- Resolution : 1mm
- Accuracy : ±0.25% of F.S.
- Ambient Humidity : 7 to 95% RH
- Output Type : 6 Channel R디모 (1a1b Out)
- Contact Capacity : DC 24V 1A

Standard Feature

- Bracket Wall Mount

Enclosure Type

- IP65



SAM HOI INDUSTRIAL CO., LTD.

#48-2, 66-BeonGil, Golden root-Ro, Juchon Myeon, Gimhae-city Gyeongnam, Korea

Tel. +82-55-321-0578 Fax. +82-55-321-0573

E-mail: shico007@chol.com Homepage : www.shico.co.kr

A-3

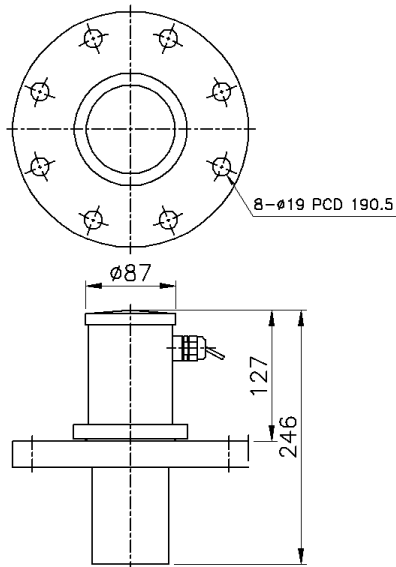
SHICO.

ULTRASONIC REMOTE LEVEL CONTROLLER WITH PVC SENSOR

MODEL : SAI-710 Series

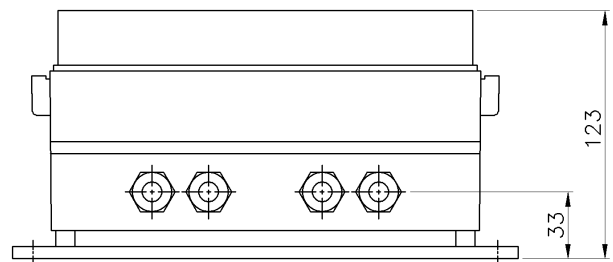
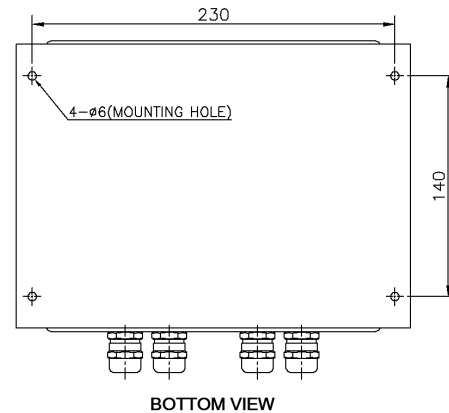
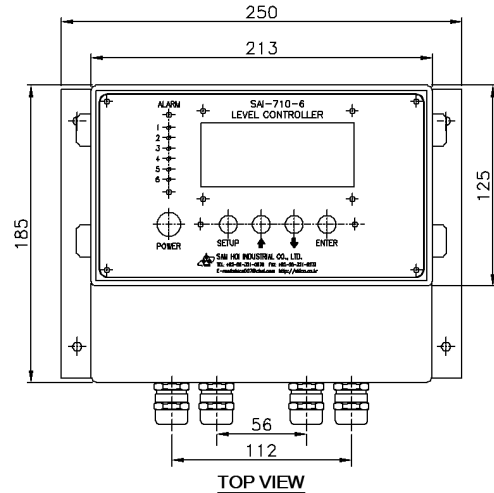
■ DIMENSIONS

■ Ultrasonic Level Sensor

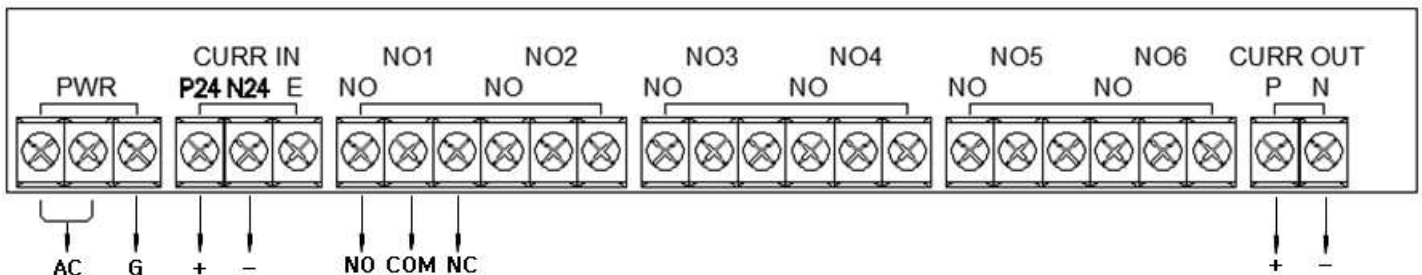


SU-110KHz SENSOR

■ Ultrasonic Level Controller



■ FUNCTIONAL DIAGRAM



SAM HOI INDUSTRIAL CO., LTD.

#48-2, 66-BeonGil, Golden root-Ro, Juchon Myeon, Gimhae-city Gyeongnam, Korea

Tel. + 82-55-321-0578 Fax. + 82-55-321-0573

E-mail: shico007@chol.com Homepage : www.shico.co.kr

SHICO.

MODEL : SAI-710 Series

ULTRASONIC REMOTE LEVEL CONTROLLER WITH PVC SENSOR

■ ORDERING INFORMATION

MODEL					
SAI-710-	POWER				
	1	AC 100V/220V			
	2	DC 24V			
	INPUT SIGNAL				
	1	4~20mA			
	2	0~20mA			
	3	1~5VDC			
	RELAY CONTACT				
	1	1 SPDT	D	1 DPDT	
	2	2 SPDT	D	2 DPDT	
	3	3 SPDT	D	3 DPDT	
	4	4 SPDT	D	4 DPDT	
	5	6 SPDT	D	6 DPDT	
	DISPLAY				
	1	3 DIGIT			
	2	4 DIGIT			
	3	6 DIGIT			
	SENSOR MOUNTING				
	1	2" SCREW, 2" FLANGE			
	2	3" FLANGE			
	3	OPTION (User requirement)			



SAM HOI INDUSTRIAL CO., LTD.

#48-2, 66-BeonGil, Golden root-Ro, Juchon Myeon, Gimhae-city Gyeongnam, Korea

Tel. +82-55-321-0578 Fax. +82-55-321-0573

E-mail: shico007@chol.com Homepage : www.shico.co.kr

A-5