

# SHICO. ANGLE ENCODER

MODEL : SE-50 Series

Shico Angle Encoder can provide suitable, incremental function for precise speed or position detection.

It can be used in many different types of industrial application such as electric motors, cranes, elevators and general automatic equipments. It provides mechanical, optical and electrical interfaces which have been industry standard.

If the standard selection of interfaces does not meet the applicant's special requirements, customized, cost-effective solutions surely be provided with fast response time.



Single Type



Dual Type

## ■ Features

- circuit protected
- industrial output
- IP 56 at housing, environment
- 24 Vdc
- Robust housing for harsh environment
- Shock and vibration protection

## ■ SPECIFICATIONS

MODEL	SE-50S (Single Type)	SE-50D (Dual Type)
TYPE	Incremental	Incremental
OUTPUT	1 Channel	2 Channel
POWER	DC 24V	DC 24V
OPERATING TEMPERATURE	-25~+ 75℃	-25~+ 75℃
INGRESS PROTECTION CLASS	IP 56	IP 56
COVER MATERIAL	Aluminum	Aluminum
COVER SURFACE TREATMENT	Coated and chromate or anodized	Coated and chromate or anodized
WEIGHT	Approximate 700g	Approximate 700g
PULSE OUT	1024 / 1TURN	1024 / 1TURN
A.B SYMMETRY	180°e ±1°e	180°e ±1°e
INDEX PULSE WIDTH	90±1°e	90±1°e
QUADRATURE	90±1°e	90±1°e
MOUNTING PCD	97.5 x M3	97.5 x M3



SAM HOI INDUSTRIAL CO., LTD.

#48-2, 66-BeonGil, Golden root-Ro, Juchon Myeon, Gimhae-city Gyeongnam, Korea

Tel. +82-55-321-0578 Fax. +82-55-321-0573

E-mail: [shico007@chol.com](mailto:shico007@chol.com) Homepage : [www.shico.co.kr](http://www.shico.co.kr)

# SHICO. ANGLE ENCODER

MODEL : SE-50 Series

## ■ ELECTRICAL SPECIFICATION

- Output signal : A, B, Z, /A, /B, /Z 6 signal out (DC24)
- Power : DC 24V
  - \* 1 TURN (360°)=1024 bit PULSE (A,B,/A,/B), 1 PLUS out : Z,/Z

## ■ CABLE CONNECTION

### ▣ SE-50S (Single)

OUT	Color	Function	Color
1	GREEN	/1	WHITE
2	YELLOW	/2	BLACK
0	BROWN	/0	VIOLET
+DC24V	RED	0V	BLUE
CASE	SHIELD		

### ▣ SE-50D (Double)

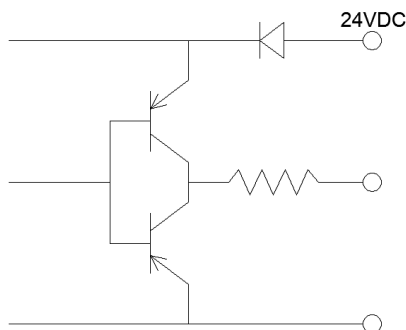
#### 1st CABLE CONNECTION

OUT	Color	Function	Color
1	GREEN	/1	WHITE
2	YELLOW	/2	BLACK
0	BROWN	/0	VIOLET
+DC24V	RED	0V	BLUE
CASE	SHIELD		

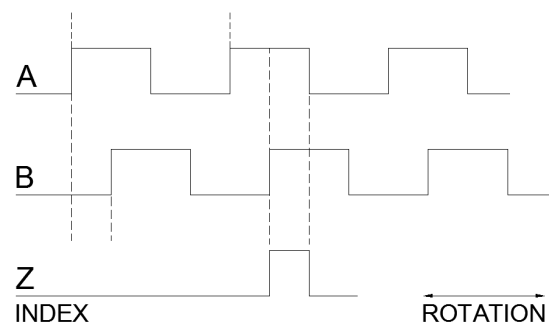
#### 2nd CABLE CONNECTION

OUT	Color	Function	Color
1	GREEN	/1	WHITE
2	YELLOW	/2	BLACK
0	BROWN	/0	VIOLET
+DC24V	RED	0V	BLUE
CASE	SHIELD		

## ■ Output circuit



## ■ Output signal



SAM HOI INDUSTRIAL CO., LTD.

#48-2, 66-BeonGil, Golden root-Ro, Juchon Myeon, Gimhae-city Gyeongnam, Korea

Tel. +82-55-321-0578 Fax. +82-55-321-0573

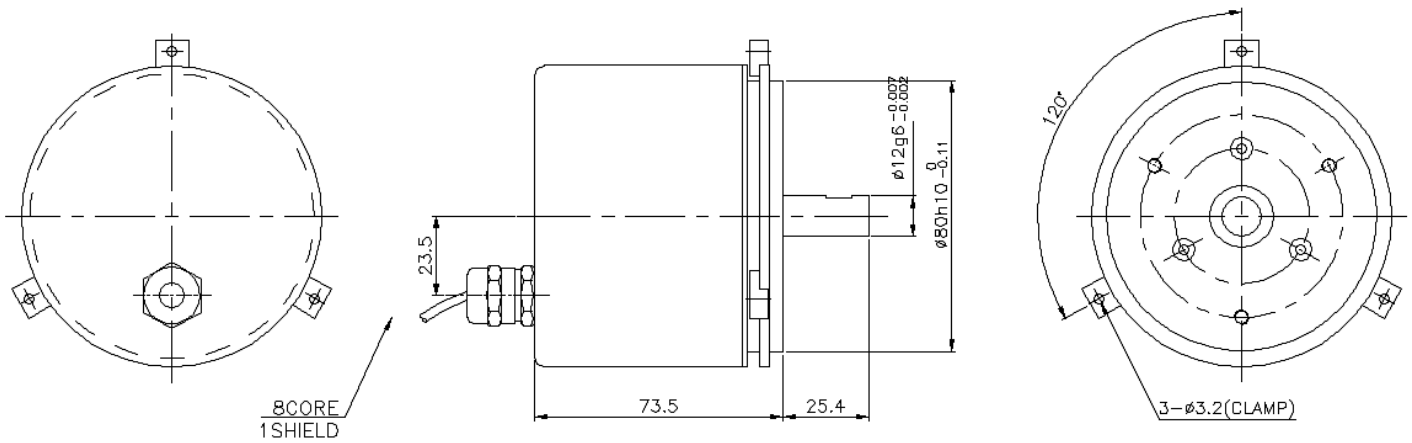
E-mail: shico007@chol.com Homepage : [www.shico.co.kr](http://www.shico.co.kr)

# SHICO. ANGLE ENCODER Series

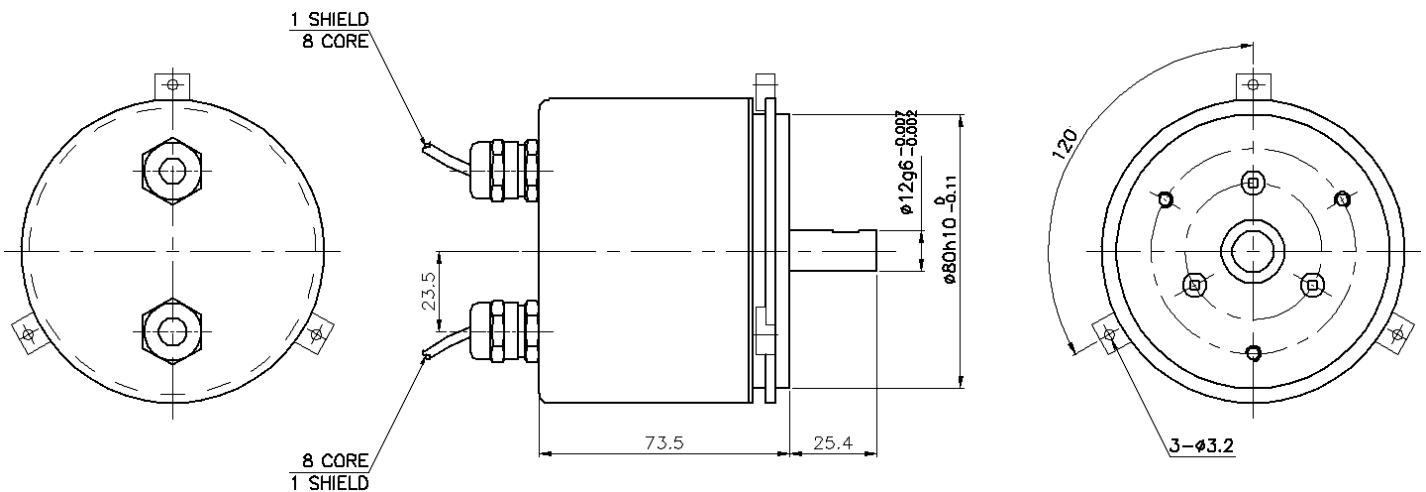
MODEL : SE-50 Series

## ■ DIMENSION

### ■ SINGLE TYPE



### ■ DUAL TYPE



SAM HOI INDUSTRIAL CO., LTD.

Gimhae-city Juchon Myun, Golden root-Ro, 66-BunGil, 48-2

Tel. +82-55-321-0578~9 Fax. +82-55-321-0573

E-mail: shico007@chol.com Homepage : [www.shico.co.kr](http://www.shico.co.kr)

L-5