

SHICO. POWER SUPPLY & BATTERY CHARGER (UPS)

MODEL : SPS-222

DESCRIPTION

SPS-222 power supply with integrated battery charger offers a complete power system designed for UPS applications.

The system is designed to provide regulated DC power for industrial equipment, while providing battery back up power in the event of a source power interruption.



APPLICATION

SPS-series can apply many kinds of equipments for ship which need DC power supply usually and emergently. Also they can apply for forklift, golf cart, subway train and other vehicles need DC power supply.

Electrical Specification

Input	100-240V AC 50/60Hz 8.2A
Output	26.9V DC normal Max.12A
Over current	22.2A
Battery back-up time	12A in 30min
High Alarm	DC 29V
Low Alarm	DC 23V
Trip Alarm	DC 22V
Alarms as potential free contacts	Under voltage : 18.0V DC
	High voltage : 32.0V DC
Protection	Under voltage : 18.0V DC
	High voltage : 32.0V DC
System type	Floating DC system
Protection circuit	Work at over 185% of rating and Auto-recovery
	115~140% Rated output voltage
Battery Life	3 years

SPECIFICATION

Physical Specification

Weight	38Kg
Clearance	180 x 50mm or more
Dimension	400(W) x 500(H) x 210(D)mm
Fitting	360mm x440mm(Hole 10)
Cable Entrance	TRAY-BRACKET
Material	SS 400
Color	MAKER STANDARD



SAM HOI INDUSTRIAL CO., LTD.

#48-2, 66-BeonGil, Golden root-Ro, Juchon Myeon, Gimhae-city Gyeongnam, Korea

Tel. +82-55-321-0578 Fax. +82-55-321-0573

E-mail: shico007@chol.com Homepage : www.shico.co.kr

L-24

SHICO. POWER SUPPLY & BATTERY CHARGER (UPS)

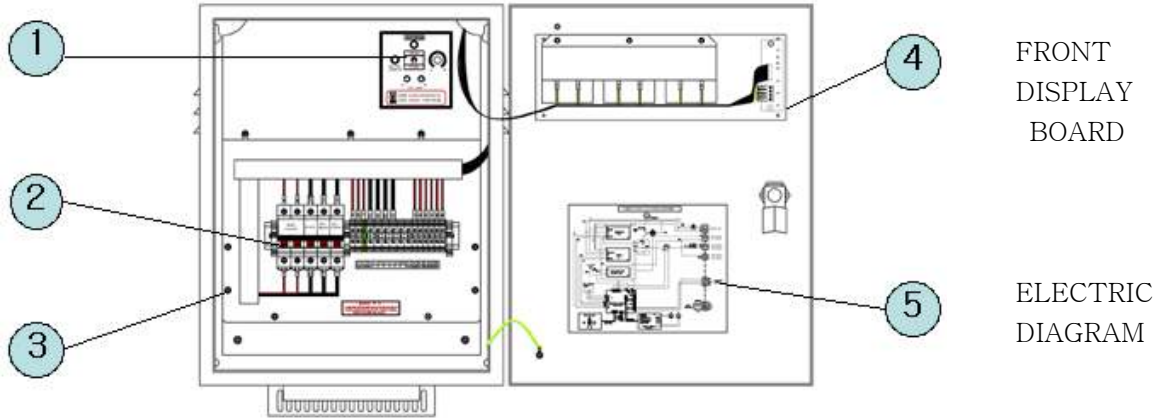
MODEL : SPS-222

SYSTEM CONFIGURATION

TEST BOARD

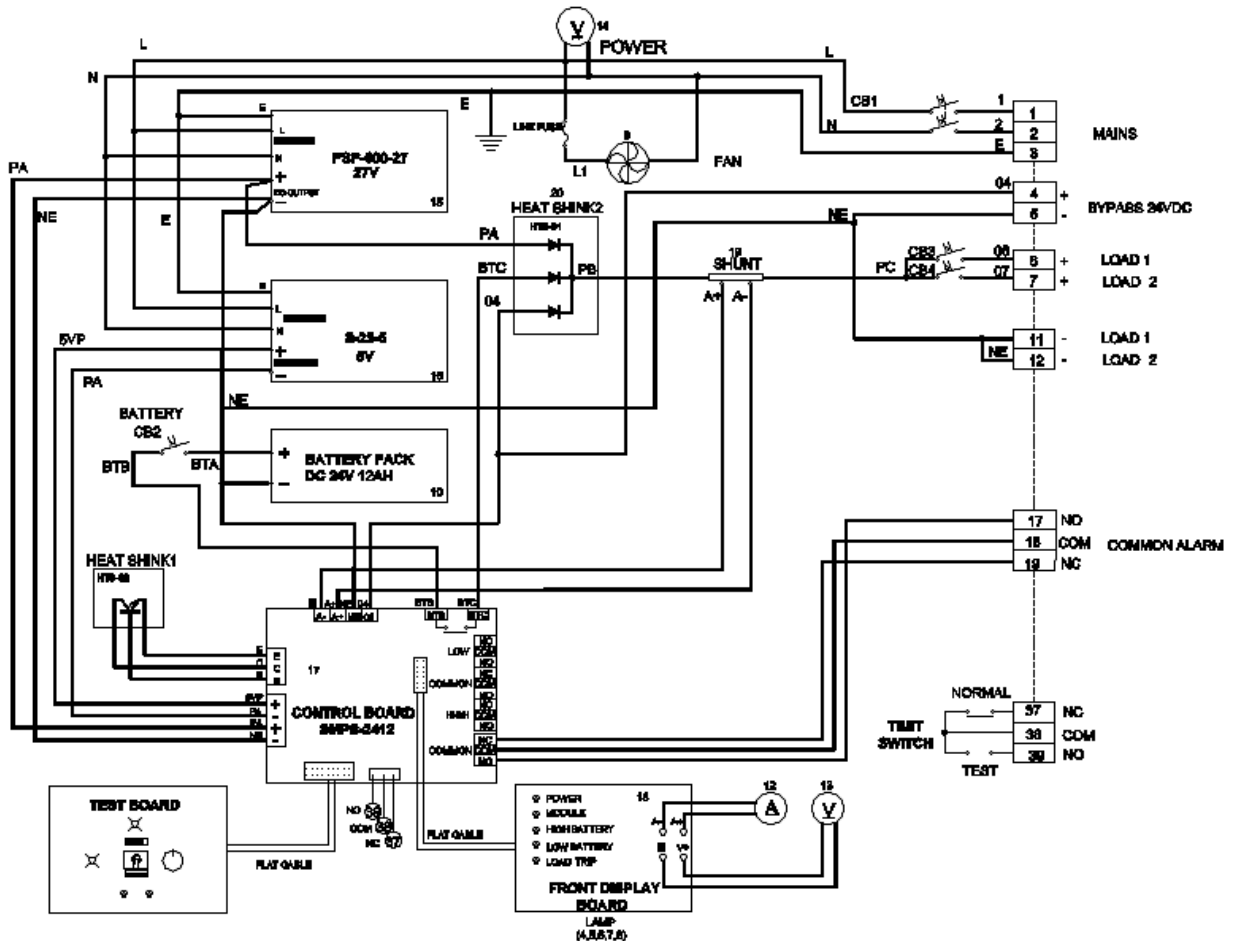
TERMINAL BLOCK, FAN FUSE

BATTERY BOX



(DOOR OPEN)

ELECTRICAL DIAGRAM



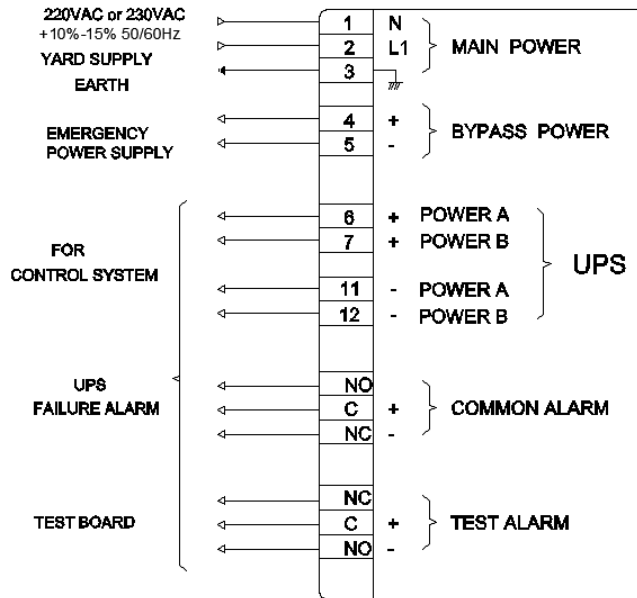
SAM HOI INDUSTRIAL CO., LTD.

#48-2, 66-BeonGil, Golden root-Ro, Juchon Myeon, Gimhae-city Gyeongnam, Korea

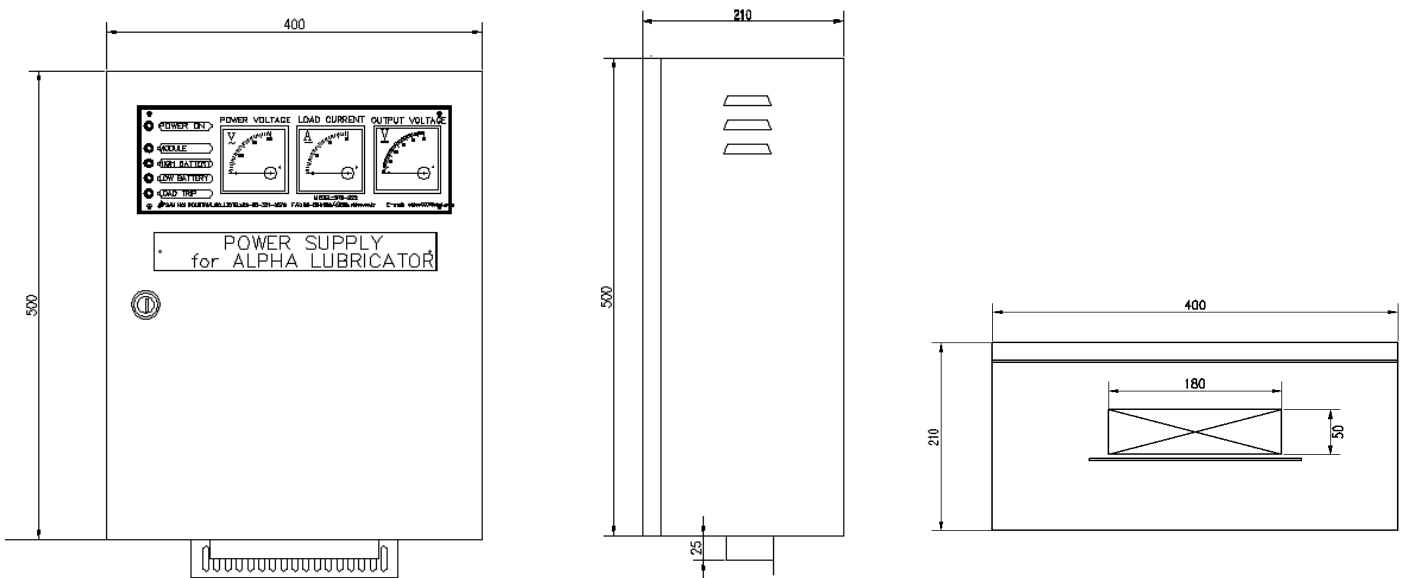
Tel. +82-55-321-0578 Fax. +82-55-321-0573

E-mail: shico007@chol.com Homepage : www.shico.co.kr

■ CABLE CONNECTION



■ DIMENSION



[FRONT VIEW]

[SIDE VIEW]

[BOTTOM VIEW]



SAM HOI INDUSTRIAL CO., LTD.

#48-2, 66-BeonGil, Golden root-Ro, Juchon Myeon, Gimhae-city Gyeongnam, Korea

Tel. +82-55-321-0578 Fax. +82-55-321-0573

E-mail: shico007@chol.com Homepage : www.shico.co.kr