

## □ INDICATOR

## ■ DESCRIPTION

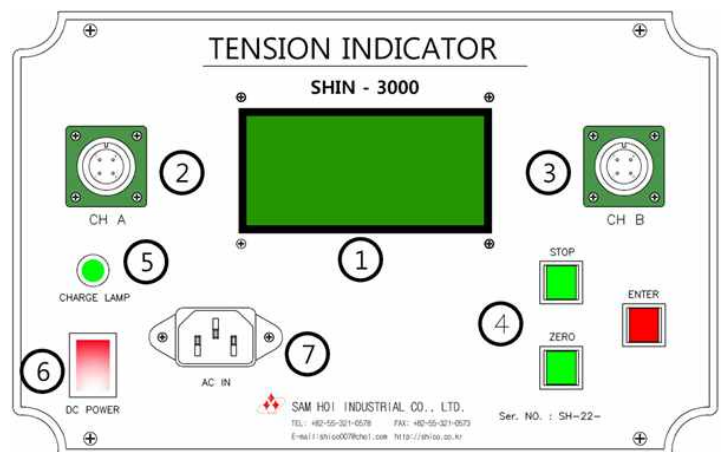
- The SHIN-3000 portable indicator is 16 by 2 serial english liquid crystal display mode, two channel, battery operated digital indicator with a liquid crystal display which makes it easily readable in outdoor light.
- The instrument is housed in a 190x280x130 dust-proof case with handle and latching cover lid, and includes cord warps on either end for storing the 2.5m transducer interconnecting cables.
- The front panel incorporates the display, channel select switch, two counters, calibration check switch, charger adapter with storage and charging jack, and a power switch.



## ■ SPECIFICATIONS

- Type : Portable Single Appointment Indicator
- Display : 20 Characters \*4 Line
- Weight Range : Appointment 1-25ton
- Input resistance from load cell : 700 ohm  
(Load cell only model : DSTR)
- Display Mode : 'mV', 'Kg', 'Ton'
- Temperature, operating : -20°C to 90°C
- Temperature, storage : -25°C to 130°C
- Power : Internal battery, AC 85~220V 60Hz
- Batteries : "S/C" Ni-Cad 1.2V\*12 14.4V, 1,800mA
- Channels : Two each with separate lockable balance adjust
- Transducer cables : 2.5m with mating connector
- Case : 190x280x130 with latching lid and handle
- Classification of protection : IP65

## ■ FRONT PANEL CONSTRUCTION



- ① Readout window(4 Line)
- ② Channel #1 Connector
- ③ Channel #2 Connector
- ④ Control Switch
- ⑤ Charge Lamp
- ⑥ Power Switch
- ⑦ AC Input Connector



SAM HOI INDUSTRIAL CO., LTD.

#48-2, 66-BeonGil, Golden root-Ro, Juchon Myeon, Gimhae-city Gyeongnam, Korea

Tel. +82-55-321-0578 Fax. +82-55-321-0573

E-mail: shico007@chol.com Homepage : [www.shico.co.kr](http://www.shico.co.kr)

K-5

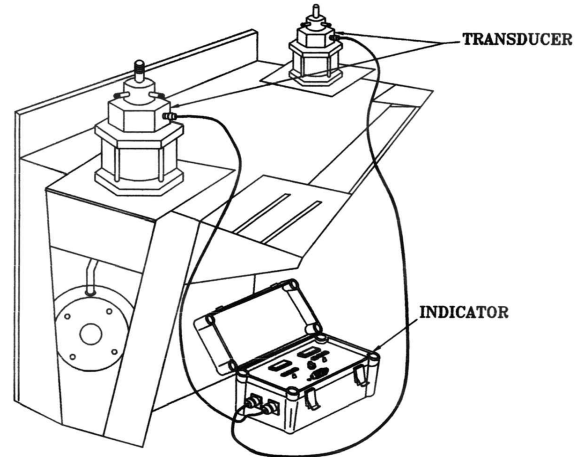
### □ TRANSDUCER

#### ■ APPLICATION

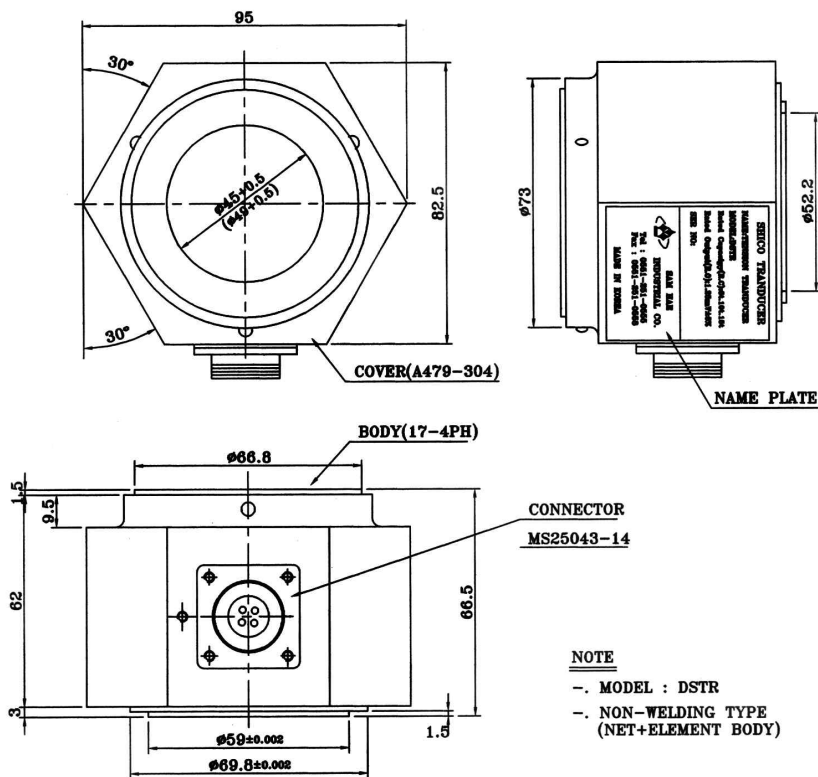
This instrument is to adjust T.W.S balancing and to diagnose & control the safety from the result of mechanical overload that is caused by the wear out of bearing and the chain loosing that is caused by overload of T.W.S machine.

#### ■ SPECIFICATIONS

- Input Power : 10VDC
- Rated Output : 1.25mV/V0.5
- Rated Capacity : 0-12tf
- Output Resistance : 700 ohms
- Insulation Reg : > 200 Mega (ohms at 50V DC)
- Compensated Temp Range : -10 to 40°C
- Nonlinearity : 0.27% R.O
- Hysteresis : 0.4 % R.O
- Creep : 0.030 % R.O for 20 min



#### ■ DIMENSION



SAM HOI INDUSTRIAL CO., LTD.

#48-2, 66-BeonGil, Golden root-Ro, Juchon Myeon, Gimhae-city Gyeongnam, Korea

Tel. +82-55-321-0578 Fax. +82-55-321-0573

E-mail: shico007@chol.com Homepage : [www.shico.co.kr](http://www.shico.co.kr)