

SHICO. PRESSURE TRANSMITTERS (Low Cost)

MODEL : SP-100 Series

For high pressure measurement (gauge and absolute), SHICO's SP-100 Series offers combined repeatability and hysteresis errors that are typically below 0.03% of full scale. Long term minimization of these errors is maintained after millions of full scale overpressure cycles, making electronic set point virtually drift-free.

Use of ceramic materials in the sensing element and its mounting provides excellent resistance to most liquids and chemicals. Ruggedness and reliability are also enhanced by a stainless steel housing to resist corrosion. Pressure sealing for media compatibility is provided by selection of O-ring seals.

SHICO ceramic sensing element contains an integral, reliable, solid state, custom hybrid circuit signal conditioner. This circuit provides temperature compensation for a stable output through use of computer-controlled laser trimming of hybrid circuit components.

Unit-to-unit uniformity is assured with no adjustment or recalibration required by the user, in addition, the SP-100 is ideal for remote battery operation because of its low current drain and ratio metric output.

The SP-100 Series provides a high level output, which allows it in most cases to match low level indicators, scanners and data loggers. The ratio metric output of the SP-100 is ideal for digital monitoring. By using the supply voltage as the reference for the conversion circuit, measurement accuracy is maintained regardless of supply voltage variations.

■ FEATURES

- Pressure Range : 0~1, 0~2, 0~4, 0~6, 0~10, 0~15, 0~20, (Kg/cm²) 0~35, 0~50, 0~100, 0~160, 0~250, 0~350, 0~400 -760~0, -1~9, -1~15 (Gauge and absolute)
- Accuracy : $\pm 0.25\%$ (Non-linearity repeatability, hysteresis)
- Temperature coefficient (0.1% per 10°C) be optimized for a specific operating temperature.
- Zero and Span adjusted
- Operating temperature Range : -40°C to +125°C
- Long Term Stability : $\pm 0.25\%$
- Electromagnetic Interference (EMI) Protection



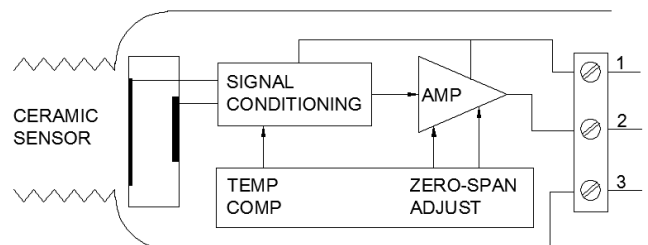
■ ADVANTAGES

- Utilizes ceramic capacitive-sensing technology.
- Ceramic characteristics provide extremely low hysteresis and high repeatability.
- Ceramic Capacitive sensor can directly withstand nearly all process media with temperature up to 125°C continuous

■ APPLICATIONS

- Process Control
- Petrochemical
- Transmitters
- Water Management
- Air Conditioning and Refrigeration
- Pneumatic and Hydraulic Controls
- Pump and Compressors
- Engine Monitoring and Test Equipment
- Agricultural Chemical Controls
- Environmental control Systems
- Level/Depth Instrumentation

■ OPERATION



SAM HOI INDUSTRIAL CO., LTD.

#48-2, 66-BeonGil, Golden root-Ro, Juchon Myeon, Gimhae-city Gyeongnam, Korea

Tel. +82-55-321-0578 Fax. +82-55-321-0573

E-mail: shico007@chol.com Homepage : www.shico.co.kr

D-23

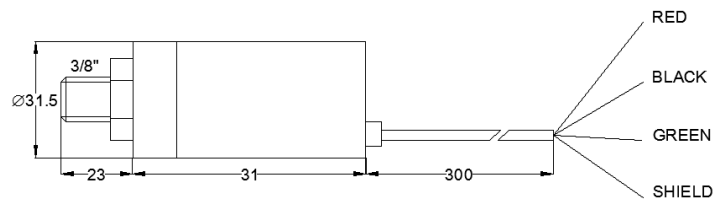
SHICO. PRESSURE TRANSMITTERS (Low Cost)

MODEL : SP-100 Series

TECHNICAL DATA

- Non-Linearity : $\pm 0.1\%$
- Hysteresis and Repeatability : $\pm 0.03\%$ typical
- Temperature Error
 - : Zero, -20°C to $+100^{\circ}\text{C}$: $\pm 0.1\%$ per 10°C
 - Span, -20°C to $+100^{\circ}\text{C}$: $\pm 0.1\%$ per 10°C
- Operating Temperature : -40°C to $+125^{\circ}\text{C}$
- Stability(1year) : $\pm 0.1\%$ typical

DIMENSIONS



Electrical Wires	4-Wire System	3-Wire System		2-Wire System
Red	Supply S+	Supply S+		O+
Green	Output O+	Output O+		-
White	Supply S-	Supply S-		O-
Black	Output O-	Output O-		-
Shield	Case Earth	Case Earth		Case Earth
Electrical Rated Min/Max	0.5~4V 1~5V 4~20mA 5V, 24V 5 - 24V	5V Span - 24 VDC 12~30V	5V Span - 24 VDC 12~30V	4~20mA - - 24 VDC 12~30V

MEASURING RANGE

(Custom Ranges and Compound Ranges Available)

Gauge Pressure (Kg/cm ²)	Over pressure	Burst
1, 2, 4, 6	10×F.S	15×F.S
10, 15, 20, 35, 50, 100, 250, 350	10×F.S	15×F.S
Absolute Pressure(Kg/cm ²)		
0.05, 0.1, 0.2, 0.5, 1, 2, 4, 6	10×F.S	15×F.S
10, 15, 20, 35, 50	10×F.S	15×F.S

ELECTRICAL SPECIFICATION

- Supply Voltage 18~32Volts
- Output signals : 4~20mA (2-Wire), 0~5V(3-Wire)
- Load Resistance : 4~20mA (R=(Supply-12V)÷20mA)
0~5V (R=150kΩ Min)
- RFI and Reverse Polarity Protected

SEAL ORDER GUIDE

TYPE	INPUT PORT SEAL MAT'L	INPUT MEDIA COMPATIBILITY	MAX. SEAL TEMP RANGE(°C)
B	Buna-N (Nitrile)	Oils, Fuels, Lubricants, Detergent Solutions	-34~+121°C
C	Neoprene	Freon, Ammonia Compounds	-40~+120°C
D	Viton	Fertilizers, Freon Butanes, Oils	-40~+205°C
E	Fluoro silicone	Chlorinated Solvents Oils, Fuels	-73~+177°C

ORDERING CODE

SP-100 - F - A - E - 2 - 1

Pressure Range	Output Signal
0-1Kg/cm ² A	1 4~20mA
0-2Kg/cm ² B	2 1~5V
0-4Kg/cm ² C	3 0~5V
0-6Kg/cm ² D	4 0~10V
0-10Kg/cm ² E	5 Other
0-15Kg/cm ² F	
0-20Kg/cm ² G	
0-35Kg/cm ² H	
0-50Kg/cm ² I	
0-100Kg/cm ² J	
0-160Kg/cm ² K	
0-250Kg/cm ² L	
0-350Kg/cm ² M	
0-400Kg/cm ² N	
-760-0mmAq O	
-1-9Kg/cm ² P	
-1-15Kg/cm ² Q	
Other Range X	
	Pressure Connector
	1 1/4 PT
	2 1/4 PF
	3 Other
	Seal Material
	A Buna-N
	B Neoprene
	C Viton
	D Fluoro silicone
	E Ethylene Propylene
	Reference
	A Absolute
	G Gauge



SAM HOI INDUSTRIAL CO., LTD.

#48-2, 66-BeonGil, Golden root-Ro, Juchon Myeon, Gimhae-city Gyeongnam, Korea

Tel. +82-55-321-0578 Fax. +82-55-321-0573

E-mail: shico007@chol.com Homepage : www.shico.co.kr

D-24

SHICO. SMALL HEAD PRESSURE TRANSMITTERS

MODEL : SP-150 Series

For high pressure measurement (gauge and absolute), SHICO's SP-150 Series offers combined repeatability and hysteresis errors that are typically below 0.03% of full scale. Long term minimization of these errors is maintained after millions of full scale overpressure cycles, making electronic set point virtually drift-free.

Use of ceramic materials in the sensing element and its mounting provides excellent resistance to most liquids and chemicals. Ruggedness and reliability are also enhanced by a stainless steel housing to resist corrosion. Pressure sealing for media compatibility is provided by selection of O-ring seals.

SHICO ceramic sensing element contains an integral, reliable, solid state, custom hybrid circuit signal conditioner. This circuit provides temperature compensation for a stable output through use of computer-controlled laser trimming of hybrid circuit components.

Unit-to-unit uniformity is assured with no adjustment or recalibration required by the user, in addition, the SP-150 is ideal for remote battery operation because of its low current drain and ratio metric output.

The SP-150 Series provides a high level output, which allows it in most cases to match low level indicators, scanners and data loggers. The ratio metric output of the SP-150 is ideal for digital monitoring. By using the supply voltage as the reference for the conversion circuit, measurement accuracy is maintained regardless of supply voltage variations.

■ FEATURES

- Pressure Range :
0~500, 0~1000, 0~2000, 0~5000 mmH₂O,
0~1, 0~2, 0~4, 0~6, 0~10, 0~15, 0~20, 0~35, 0~50,
0~100, 0~160, 0~250, 0~350, 0~400Kg/cm²
-760~0, -1~9, -1~15Kg/cm² (Gauge and absolute)
- Accuracy : $\pm 0.25\%$ (Non-linearity repeatability, hysteresis)
- Temperature coefficient (0.1% per 10°C) be optimized for a specific operating temperature.
- Zero and Span adjusted
- Operating temperature Range : -40°C to +125°C
- Long Term Stability : $\pm 0.25\%$
- Electromagnetic Interference (EMI) Protection



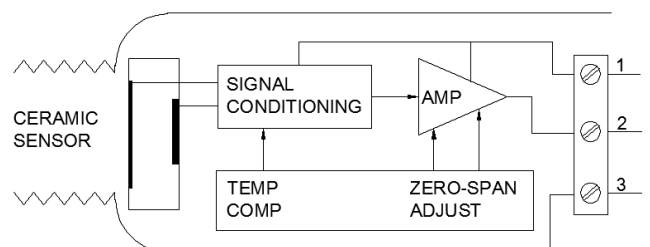
■ ADVANTAGES

- Utilizes ceramic capacitive-sensing technology.
- Ceramic characteristics provide extremely low hysteresis and high repeatability.
- Ceramic Capacitive sensor can directly withstand nearly all process media with temperature up to 125°C continuous

■ APPLICATIONS

- Process Control
- Petrochemical
- Transmitters
- Water Management
- Air Conditioning and Refrigeration
- Pneumatic and Hydraulic Controls
- Pump and Compressors
- Engine Monitoring and Test Equipment
- Agricultural Chemical Controls
- Environmental control Systems
- Level/Depth Instrumentation

■ OPERATION



SAM HOI INDUSTRIAL CO., LTD.

#48-2, 66-BeonGil, Golden root-Ro, Juchon Myeon, Gimhae-city Gyeongnam, Korea

Tel. +82-55-321-0578 Fax. +82-55-321-0573

E-mail: shico007@chol.com Homepage : www.shico.co.kr

D-25

SHICO. SMALL HEAD PRESSURE TRANSMITTERS

MODEL : SP-150 Series

■ TECHNICAL DATA

- Non-Linearity : $\pm 0.1\%$
- Hysteresis and Repeatability : $\pm 0.03\%$ typical
- Temperature Error
 - : Zero, -20°C to $+100^{\circ}\text{C}$: $\pm 0.1\%$ per 10°C
 - Span, -20°C to $+100^{\circ}\text{C}$: $\pm 0.1\%$ per 10°C
- Operating Temperature : -40°C to $+125^{\circ}\text{C}$
- Stability(1year) : $\pm 0.1\%$ typical

■ MEASURING RANGE

(Custom Ranges and Compound Ranges Available)

Gauge Pressure (Kg/cm ²)	Over pressure	Burst
0.05, 0.1, 0.2, 0.5, 1, 2, 4, 6	3×F.S	5×F.S
10,15,20,35,50,100,250,350	2×F.S	3×F.S
Absolute Pressure(Kg/cm ²)		
0.05, 0.1, 0.2, 0.5, 1, 2, 4, 6	3×F.S	5×F.S
10, 15, 20, 35, 50	2×F.S	3×F.S

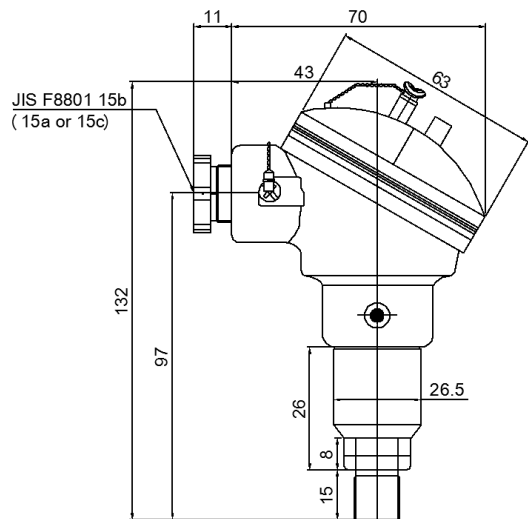
■ ELECTRICAL SPECIFICATION

- Supply Voltage : 18~32Volts
- Output signals : 4~20mA (2-Wire), 0~5V(3-Wire)
- Load Resistance : 4~20mA (R=(Supply-12V)÷20mA
0~5V (R=150kΩ Min)
- RFI and Reverse Polarity Protected

■ SEAL ORDER GUIDE

TYPE	INPUT PORT SEAL MAT'L	INPUT MEDIA COMPATIBILITY	MAX. SEAL TEMP RANGE(°C)
B	Buna-N (Nitrile)	Oils, Fuels, Lubricants, Detergent Solutions	-34~+121°C
C	Neoprene	Freon, Ammonia Compounds	-40~+120°C
D	Viton	Fertilizers, Freon Butanes, Oils	-40~+205°C
E	Fluoro silicone	Chlorinated Solvents Oils, Fuels	-73~+177°C

■ DIMENSIONS



■ ORDERING CODE

SP-150 - F - A - E - 1 - 1

Pressure Range	Output Signal
0-500mmH ₂ O	1 4~20mA
0-1000mmH ₂ O	2 1~5V
0-2000mmH ₂ O	3 0~5V
0-5000mmH ₂ O	4 0~10V
0-1Kg/cm ²	5 Other
0-2Kg/cm ²	
0-4Kg/cm ²	
0-6Kg/cm ²	
0-10Kg/cm ²	
0-15Kg/cm ²	
0-20Kg/cm ²	
0-35Kg/cm ²	
0-50Kg/cm ²	
0-100Kg/cm ²	
0-160Kg/cm ²	
0-250Kg/cm ²	
0-350Kg/cm ²	
0-400Kg/cm ²	
-760-0mmAq	
-1-9Kg/cm ²	
-1-15Kg/cm ²	
Other Range	

Pressure Connector	Seal Material
1 1/4 NPT	A Buna-N
2 Other	B Neoprene
	C Viton
	D Fluoro silicone
	E Ethylene Propylene

Reference
A Absolute
G Gauge



SAM HOI INDUSTRIAL CO., LTD.

#48-2, 66-BeonGil, Golden root-Ro, Juchon Myeon, Gimhae-city Gyeongnam, Korea

Tel. +82-55-321-0578 Fax. +82-55-321-0573

E-mail: shico007@chol.com Homepage : www.shico.co.kr

D-26

SHICO. LOW COST PRESSURE TRANSMITTERS

MODEL : SP-200 Series

For high pressure measurement (gauge and absolute), SHICO's SP-200 Series offers combined repeatability and hysteresis errors that are typically below 0.03% of full scale. Long term minimization of these errors is maintained after millions of full scale overpressure cycles, making electronic set point virtually drift-free.

Use of ceramic materials in the sensing element and its mounting provides excellent resistance to most liquids and chemicals. Ruggedness and reliability are also enhanced by a stainless steel housing to resist corrosion. Pressure sealing for media compatibility is provided by selection of O-ring seals.

SHICO ceramic sensing element contains an integral, reliable, solid state, custom hybrid circuit signal conditioner. This circuit provides temperature compensation for a stable output through use of computer-controlled laser trimming of hybrid circuit components.

Unit-to-unit uniformity is assured with no adjustment or recalibration required by the user, in addition, the SP-200 is ideal for remote battery operation because of its low current drain and ratio metric output.

The SP-200 Series provides a high level output, which allows it in most cases to match low level indicators, scanners and data loggers. The ratio metric output of the SP-200 is ideal for digital monitoring. By using the supply voltage as the reference for the conversion circuit, measurement accuracy is maintained regardless of supply voltage variations.

■ FEATURES

- Pressure Range :
0~1, 0~2, 0~4, 0~6, 0~10, 0~15, 0~20, 0~35, 0~50,
0~100, 0~160, 0~250, 0~350, 0~400Kg/cm²
-760~0, -1~9, -1~15Kg/cm² (Gauge and absolute)
- Accuracy : $\pm 0.25\%$ (Non-linearity repeatability, hysteresis)
- Temperature coefficient (0.1% per 10°C) be optimized for a specific operating temperature.
- Zero and Span adjusted
- Operating temperature Range : -40°C to +125°C
- Long Term Stability : $\pm 0.25\%$
- Electromagnetic Interference (EMI) Protection



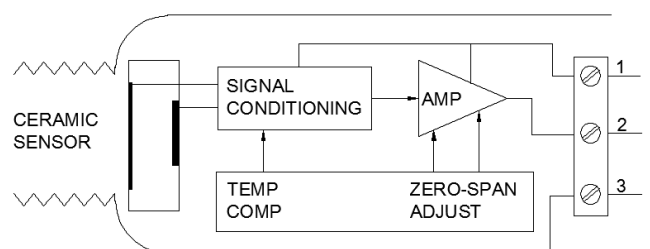
■ ADVANTAGES

- Utilizes ceramic capacitive-sensing technology.
- Ceramic characteristics provide extremely low hysteresis and high repeatability.
- Ceramic Capacitive sensor can directly withstand nearly all process media with temperature up to 125°C continuous

■ APPLICATIONS

- Process Control
- Petrochemical
- Transmitters
- Water Management
- Air Conditioning and Refrigeration
- Pneumatic and Hydraulic Controls
- Pump and Compressors
- Engine Monitoring and Test Equipment
- Agricultural Chemical Controls
- Environmental control Systems
- Level/Depth Instrumentation

■ OPERATION



SAM HOI INDUSTRIAL CO., LTD.

#48-2, 66-BeonGil, Golden root-Ro, Juchon Myeon, Gimhae-city Gyeongnam, Korea

Tel. +82-55-321-0578 Fax. +82-55-321-0573

E-mail: shico007@chol.com Homepage : www.shico.co.kr

D-27

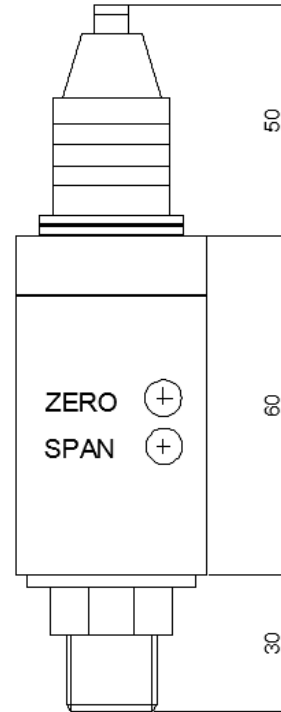
SHICO. LOW COST PRESSURE TRANSMITTERS

MODEL : SP-200 Series

■ TECHNICAL DATA

- Non-Linearity : $\pm 0.1\%$
- Hysteresis and Repeatability : $\pm 0.03\%$ typical
- Temperature Error
 - : Zero, -20°C to $+100^{\circ}\text{C}$: $\pm 0.1\%$ per 10°C
 - Span, -20°C to $+100^{\circ}\text{C}$: $\pm 0.1\%$ per 10°C
- Operating Temperature : -40°C to $+125^{\circ}\text{C}$
- Stability(1year) : $\pm 0.1\%$ typical

■ DIMENSIONS



■ MEASURING RANGE

(Custom Ranges and Compound Ranges Available)

Gauge Pressure (Kg/cm ²)	Over pressure	Burst
0.05, 0.1, 0.2, 0.5, 1, 2, 4, 6	3×F.S	5×F.S
10,15,20,35,50,100,250,350	2×F.S	3×F.S
Absolute Pressure(Kg/cm ²)		
0.05, 0.1, 0.2, 0.5, 1, 2, 4, 6	3×F.S	5×F.S
10, 15, 20, 35, 50	2×F.S	3×F.S

■ ELECTRICAL SPECIFICATION

- Supply Voltage : 18~32Volts
- Output signals : 4~20mA (2-Wire), 0~5V(3-Wire)
- Load Resistance : 4~20mA (R=(Supply-12V)÷20mA)
0~5V (R=150kΩ Min)
- RFI and Reverse Polarity Protected

■ ORDERING CODE

SP-200 - F - A - E - 2 - 1

■ SEAL ORDER GUIDE

TYPE	INPUT PORT SEAL MAT'L	INPUT MEDIA COMPATIBILITY	MAX. SEAL TEMP RANGE(°C)
B	Buna-N (Nitrile)	Oils, Fuels, Lubricants, Detergent Solutions	-34~+121°C
C	Neoprene	Freon, Ammonia Compounds	-40~+120°C
D	Viton	Fertilizers, Freon Butanes, Oils	-40~+205°C
E	Fluoro silicone	Chlorinated Solvents Oils, Fuels	-73~+177°C

Pressure Range	Output Signal
0-1Kg/cm ²	A
0-2Kg/cm ²	B
0-4Kg/cm ²	C
0-6Kg/cm ²	D
0-10Kg/cm ²	E
0-15Kg/cm ²	F
0-20Kg/cm ²	G
0-35Kg/cm ²	H
0-50Kg/cm ²	I
0-100Kg/cm ²	J
0-160Kg/cm ²	K
0-250Kg/cm ²	L
0-350Kg/cm ²	M
0-400Kg/cm ²	N
-760-0mmAq	O
-1-9Kg/cm ²	P
-1-15Kg/cm ²	Q
Other Range	X

Pressure Connector	Seal Material
1	1/4 NPT
2	Other
A	Buna-N
B	Neoprene
C	Viton
D	Fluoro silicone
E	Ethylene Propylene

Reference	
A	Absolute
G	Gauge



SAM HOI INDUSTRIAL CO., LTD.

#48-2, 66-BeonGil, Golden root-Ro, Juchon Myeon, Gimhae-city Gyeongnam, Korea

Tel. +82-55-321-0578 Fax. +82-55-321-0573

E-mail: shico007@chol.com Homepage : www.shico.co.kr

D-28

SHICO. LOW COST PRESSURE TRANSMITTER

MODEL : SP-250 Series

For high pressure measurement (gauge and absolute), SHICO's SP-250 Series offers combined repeatability and hysteresis errors that are typically below 0.03% of full scale. Long term minimization of these errors is maintained after millions of full scale overpressure cycles, making electronic set point virtually drift-free.

Use of ceramic materials in the sensing element and its mounting provides excellent resistance to most liquids and chemicals. Ruggedness and reliability are also enhanced by a stainless steel housing to resist corrosion. Pressure sealing for media compatibility is provided by selection of O-ring seals.

SHICO ceramic sensing element contains an integral, reliable, solid state, custom hybrid circuit signal conditioner. This circuit provides temperature compensation for a stable output through use of computer-controlled laser trimming of hybrid circuit components.

Unit-to-unit uniformity is assured with no adjustment or recalibration required by the user, in addition, the SP-250 is ideal for remote battery operation because of its low current drain and ratio metric output.

The SP-250 Series provides a high level output, which allows it in most cases to match low level indicators, scanners and data loggers. The ratio metric output of the SP-250 is ideal for digital monitoring. By using the supply voltage as the reference for the conversion circuit, measurement accuracy is maintained regardless of supply voltage variations.

■ FEATURES

- Pressure Range :
0~1, 0~2, 0~4, 0~6, 0~10, 0~15, 0~20, 0~35, 0~50,
0~100, 0~160, 0~250, 0~350, 0~400, 0~500, 0~700Kg/cm²
-760~0, -1~9, -1~15Kg/cm² (Gauge and absolute)
- Accuracy : $\pm 0.25\%$ (Non-linearity repeatability, hysteresis)
- Temperature coefficient (0.1% per 10°C) be optimized for a specific operating temperature.
- Zero and Span adjusted
- Operating temperature Range : -40°C to +125°C
- Long Term Stability : $\pm 0.25\%$
- Electromagnetic Interference (EMI) Protection



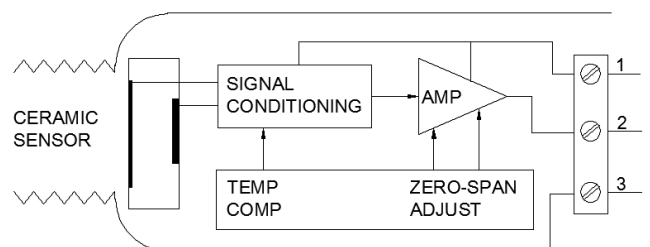
■ ADVANTAGES

- Utilizes ceramic capacitive-sensing technology.
- Ceramic characteristics provide extremely low hysteresis and high repeatability.
- Ceramic Capacitive sensor can directly withstand nearly all process media with temperature up to 125°C continuous

■ APPLICATIONS

- Process Control
- Petrochemical
- Transmitters
- Water Management
- Air Conditioning and Refrigeration
- Pneumatic and Hydraulic Controls
- Pump and Compressors
- Engine Monitoring and Test Equipment
- Agricultural Chemical Controls
- Environmental control Systems
- Level/Depth Instrumentation

■ OPERATION



SAM HOI INDUSTRIAL CO., LTD.

#48-2, 66-BeonGil, Golden root-Ro, Juchon Myeon, Gimhae-city Gyeongnam, Korea

Tel. +82-55-321-0578 Fax. +82-55-321-0573

E-mail: shico007@chol.com Homepage : www.shico.co.kr

D-29

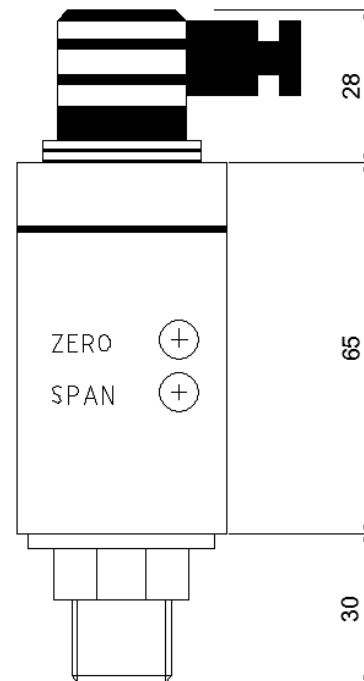
SHICO. COMPACT PRESSURE TRANSMITTER

MODEL : SP-250 Series

■ TECHNICAL DATA

- Non-Linearity : $\pm 0.1\%$
- Hysteresis and Repeatability : $\pm 0.03\%$ typical
- Temperature Error
 - : Zero, -20°C to $+100^{\circ}\text{C}$: $\pm 0.1\%$ per 10°C
 - Span, -20°C to $+100^{\circ}\text{C}$: $\pm 0.1\%$ per 10°C
- Operating Temperature : -40°C to $+125^{\circ}\text{C}$
- Stability(1year) : $\pm 0.1\%$ typical

■ DIMENSIONS



■ MEASURING RANGE

(Custom Ranges and Compound Ranges Available)

Gauge Pressure (Kg/cm ²)	Over pressure	Burst
1, 2, 4, 6,	3×F.S	5×F.S
10, 15, 20, 35, 50, 100, 250, 350, 500, 700	2×F.S	3×F.S
Absolute Pressure(Kg/cm ²)		
0.05, 0.1, 0.2, 0.5, 1, 2, 4, 6	3×F.S	5×F.S
10, 15, 20, 35, 50	2×F.S	3×F.S

■ ELECTRICAL SPECIFICATION

- Supply Voltage : 18~32Volts
- Output signals : 4~20mA (2-Wire), 0~5V(3-Wire)
- Load Resistance : 4~20mA (R=(Supply-12V)÷20mA)
0~5V (R=150kΩ Min)
- RFI and Reverse Polarity Protected

■ ORDERING CODE

SP-250 - F - A - E - 1 - 1

■ SEAL ORDER GUIDE

TYPE	INPUT PORT SEAL MAT'L	INPUT MEDIA COMPATIBILITY	MAX. SEAL TEMP RANGE(°C)
B	Buna-N (Nitrile)	Oils, Fuels, Lubricants, Detergent Solutions	-34~+121°C
C	Neoprene	Freon, Ammonia Compounds	-40~+120°C
D	Viton	Fertilizers, Freon Butanes, Oils	-40~+205°C
E	Fluoro silicone	Chlorinated Solvents Oils, Fuels	-73~+177°C

Pressure Range	
0-1Kg/cm ²	A
0-2Kg/cm ²	B
0-4Kg/cm ²	C
0-6Kg/cm ²	D
0-10Kg/cm ²	E
0-15Kg/cm ²	F
0-20Kg/cm ²	G
0-35Kg/cm ²	H
0-50Kg/cm ²	I
0-100Kg/cm ²	J
0-160Kg/cm ²	K
0-250Kg/cm ²	L
0-350Kg/cm ²	M
0-400Kg/cm ²	N
0-500Kg/cm ²	O
0-700Kg/cm ²	P
-760-0mmAq	Q
-1-9Kg/cm ²	R
-1-15Kg/cm ²	S
*0.2-1.0Kg/cm ²	T
Other Range	X
* for P/I Converter	

	Output Signal
1	4~20mA
2	1~5V
3	0~5V
4	0~10V
5	Other

	Pressure Connector
1	3/8 PF
2	Other

	Seal Material
A	Buna-N
B	Neoprene
C	Viton
D	Fluoro silicone
E	Ethylene Propylene

	Reference
A	Absolute
G	Gauge



SAM HOI INDUSTRIAL CO., LTD.

#48-2, 66-BeonGil, Golden root-Ro, Juchon Myeon, Gimhae-city Gyeongnam, Korea

Tel. +82-55-321-0578 Fax. +82-55-321-0573

E-mail: shico007@chol.com Homepage : www.shico.co.kr

D-30

SHICO. CABLE TYPE PRESSURE TRANSMITTERS

MODEL : SP-300 Series

For high pressure measurement (gauge and absolute), SHICO's SP-300 Series offers combined repeatability and hysteresis errors that are typically below 0.03% of full scale. Long term minimization of these errors is maintained after millions of full scale overpressure cycles, making electronic set point virtually drift-free.

Use of ceramic materials in the sensing element and its mounting provides excellent resistance to most liquids and chemicals. Ruggedness and reliability are also enhanced by a stainless steel housing to resist corrosion. Pressure sealing for media compatibility is provided by selection of O-ring seals.

SHICO ceramic sensing element contains an integral, reliable, solid state, custom hybrid circuit signal conditioner. This circuit provides temperature compensation for a stable output through use of computer-controlled laser trimming of hybrid circuit components.

Unit-to-unit uniformity is assured with no adjustment or recalibration required by the user, in addition, the SP-300 is ideal for remote battery operation because of its low current drain and ratio metric output.

The SP-300 Series provides a high level output, which allows it in most cases to match low level indicators, scanners and data loggers. The ratio metric output of the SP-300 is ideal for digital monitoring. By using the supply voltage as the reference for the conversion circuit, measurement accuracy is maintained regardless of supply voltage variations.

■ FEATURES

- Pressure Range :
0~500, 0~1000, 0~2000, 0~5000 mmH₂O
0~1, 0~2, 0~4, 0~6, 0~10, 0~15, 0~20, 0~35, 0~50,
0~100, 0~160, 0~250, 0~350, 0~400Kg/cm²
-760~0, -1~9, -1~15Kg/cm² (Gauge and absolute)
- Accuracy : ±0.25% (Non-linearity repeatability, hysteresis)
- Temperature coefficient (0.1% per 10°C) be optimized for a specific operating temperature.
- Zero and Span adjusted
- Operating temperature Range : -40°C to +125°C
- Long Term Stability : ±0.25%
- Electromagnetic Interference (EMI) Protection



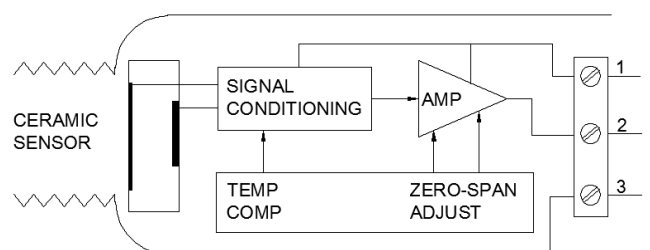
■ ADVANTAGES

- Utilizes ceramic capacitive-sensing technology.
- Ceramic characteristics provide extremely low hysteresis and high repeatability.
- Ceramic Capacitive sensor can directly withstand nearly all process media with temperature up to 125°C continuous

■ APPLICATIONS

- Process Control
- Petrochemical
- Transmitters
- Water Management
- Air Conditioning and Refrigeration
- Pneumatic and Hydraulic Controls
- Pump and Compressors
- Engine Monitoring and Test Equipment
- Agricultural Chemical Controls
- Environmental control Systems
- Level/Depth Instrumentation

■ OPERATION



SAM HOI INDUSTRIAL CO., LTD.

#48-2, 66-BeonGil, Golden root-Ro, Juchon Myeon, Gimhae-city Gyeongnam, Korea

Tel. +82-55-321-0578 Fax. +82-55-321-0573

E-mail: shico007@chol.com Homepage : www.shico.co.kr

D-31

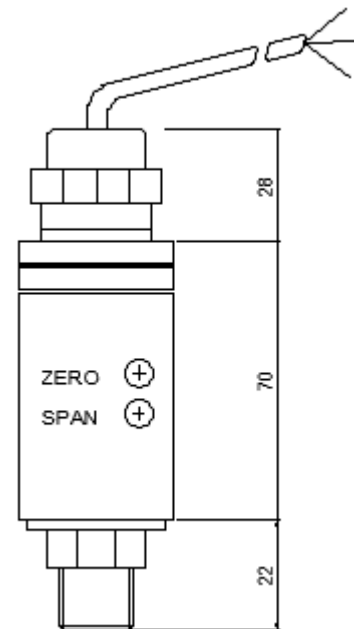
SHICO. CABLE TYPE PRESSURE TRANSMITTERS

MODEL : SP-300 Series

■ TECHNICAL DATA

- Non-Linearity : $\pm 0.1\%$
- Hysteresis and Repeatability : $\pm 0.03\%$ typical
- Temperature Error
 - : Zero, -20°C to $+100^{\circ}\text{C}$: $\pm 0.1\%$ per 10°C
 - Span, -20°C to $+100^{\circ}\text{C}$: $\pm 0.1\%$ per 10°C
- Operating Temperature : -40°C to $+125^{\circ}\text{C}$
- Stability(1year) : $\pm 0.1\%$ typical

■ DIMENSIONS



■ MEASURING RANGE

(Custom Ranges and Compound Ranges Available)

Gauge Pressure (Kg/cm ²)	Over pressure	Burst
0.05, 0.1, 0.2, 0.5, 1, 2, 4, 6	3×F.S	5×F.S
10,15,20,35,50,100,250,350	2×F.S	3×F.S
Absolute Pressure(Kg/cm ²)		
0.05, 0.1, 0.2, 0.5, 1, 2, 4, 6	3×F.S	5×F.S
10, 15, 20, 35, 50	2×F.S	3×F.S

■ ELECTRICAL SPECIFICATION

- Supply Voltage : 18~32Volts
- Output signals : 4~20mA (2-Wire), 0~5V(3-Wire)
- Load Resistance : 4~20mA (R=(Supply-12V)÷20mA)
0~5V (R=150kΩ Min)
- RFI and Reverse Polarity Protected

■ ORDERING CODE

SP-300 - F - A - E - 1 - 1

■ SEAL ORDER GUIDE

TYPE	INPUT PORT SEAL MAT'L	INPUT MEDIA COMPATIBILITY	MAX. SEAL TEMP RANGE(°C)
B	Buna-N (Nitrile)	Oils, Fuels, Lubricants, Detergent Solutions	-34~+ 121°C
C	Neoprene	Freon, Ammonia Compounds	-40~+ 120°C
D	Viton	Fertilizers, Freon Butanes, Oils	-40~+ 205°C
E	Fluoro silicone	Chlorinated Solvents Oils, Fuels	-73~+ 177°C

Pressure Range	Output Signal
0-500mmH ₂ O	A
0-1000mmH ₂ O	B
0-2000mmH ₂ O	C
0-5000mmH ₂ O	D
0-1Kg/cm ²	E
0-2Kg/cm ²	F
0-4Kg/cm ²	G
0-6Kg/cm ²	H
0-10Kg/cm ²	I
0-15Kg/cm ²	J
0-20Kg/cm ²	K
0-35Kg/cm ²	L
0-50Kg/cm ²	M
0-100Kg/cm ²	N
0-160Kg/cm ²	O
0-250Kg/cm ²	P
0-350Kg/cm ²	Q
0-400Kg/cm ²	R
-760-0mmAq	S
-1-9Kg/cm ²	T
-1-15Kg/cm ²	U
Other Range	X

Output Signal	Pressure Connector
1 4~20mA	1 1/4 NPT
2 1~5V	2 Other
3 0~5V	
4 0~10V	
5 Other	

Seal Material	Reference
A Buna-N	A Absolute
B Neoprene	G Gauge
C Viton	
D Fluoro silicone	
E Ethylene Propylene	



SAM HOI INDUSTRIAL CO., LTD.

#48-2, 66-BeonGil, Golden root-Ro, Juchon Myeon, Gimhae-city Gyeongnam, Korea

Tel. +82-55-321-0578 Fax. +82-55-321-0573

E-mail: shico007@chol.com Homepage : www.shico.co.kr

D-32

SHICO. WATER PROOF PRESSURE TRANSMITTERS

MODEL : SP-350 Series

For high pressure measurement (gauge and absolute), SHICO's SP-350 Series offers combined repeatability and hysteresis errors that are typically below 0.03% of full scale. Long term minimization of these errors is maintained after millions of full scale overpressure cycles, making electronic set point virtually drift-free.

Use of ceramic materials in the sensing element and its mounting provides excellent resistance to most liquids and chemicals. Ruggedness and reliability are also enhanced by a stainless steel housing to resist corrosion. Pressure sealing for media compatibility is provided by selection of O-ring seals.

SHICO ceramic sensing element contains an integral, reliable, solid state, custom hybrid circuit signal conditioner. This circuit provides temperature compensation for a stable output through use of computer-controlled laser trimming of hybrid circuit components.

Unit-to-unit uniformity is assured with no adjustment or recalibration required by the user, in addition, the SP-350 is ideal for remote battery operation because of its low current drain and ratio metric output.

The SP-350 Series provides a high level output, which allows it in most cases to match low level indicators, scanners and data loggers. The ratio metric output of the SP-350 is ideal for digital monitoring. By using the supply voltage as the reference for the conversion circuit, measurement accuracy is maintained regardless of supply voltage variations.

■ FEATURES

- Pressure Range :
0~500, 0~1000, 0~2000, 0~5000 mmH₂O
0~1, 0~2, 0~4, 0~6, 0~10, 0~15, 0~20, 0~35, 0~50, 0~100,
0~160, 0~250, 0~350, 0~400(Kg/cm²)
-760~0, -1~9, -1~15 (Gauge and absolute)
- Accuracy : ±0.25%(Non-linearity repeatability, hysteresis)
- Temperature coefficient (0.1% per 10°C) be optimized for a specific operating temperature.
- Zero and Span adjusted
- Operating temperature Range : -40°C to +125°C
- Long Term Stability : ±0.25%
- Electromagnetic Interference (EMI) Protection



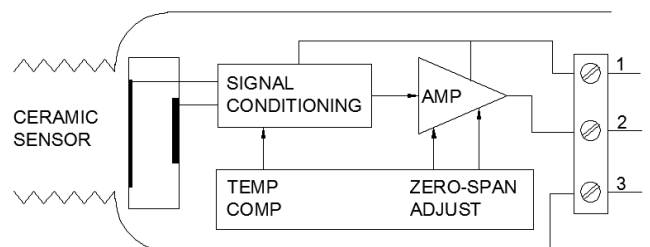
■ BENEFITS

- Utilizes ceramic capacitive-sensing technology.
- Ceramic characteristics provide extremely low hysteresis and high repeatability.
- Ceramic Capacitive sensor can directly withstand nearly all process media with temperature up to 125°C continuous

■ APPLICATIONS

- Process Control
- Petrochemical
- Transmitters
- Water Management
- Air Conditioning and Refrigeration
- Pneumatic and Hydraulic Controls
- Pump and Compressors
- Engine Monitoring and Test Equipment
- Agricultural Chemical Controls
- Environmental control Systems
- Level/Depth Instrumentation

■ OPERATION



SAM HOI INDUSTRIAL CO., LTD.

#48-2, 66-BeonGil, Golden root-Ro, Juchon Myeon, Gimhae-city Gyeongnam, Korea

Tel. +82-55-321-0578 Fax. +82-55-321-0573

E-mail: shico007@chol.com Homepage : www.shico.co.kr

D-33

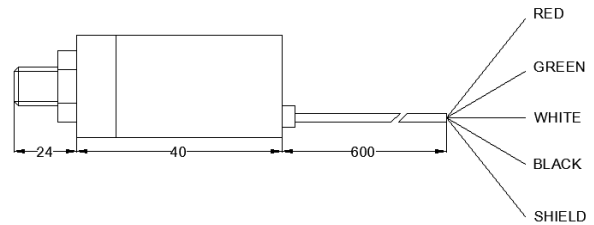
SHICO. WATER PROOF PRESSURE TRANSMITTERS

MODEL : SP-350 Series

TECHNICAL DATA

- Non-Linearity : $\pm 0.1\%$
- Hysteresis and Repeatability : $\pm 0.03\%$ typical
- Temperature Error
 - : Zero, -20°C to $+100^{\circ}\text{C}$: $\pm 0.1\%$ per 10°C
 - Span, -20°C to $+100^{\circ}\text{C}$: $\pm 0.1\%$ per 10°C
- Operating Temperature : -40°C to $+125^{\circ}\text{C}$
- Stability(1year) : $\pm 0.1\%$ typical

DIMENSIONS



Electrical Wires	4-Wire System	3-Wire System		2-Wire System
Red	Supply S+	Supply S+		O+
Green	Output O+	Output O+		-
White	Supply S-	Supply S-		O-
Black	Output O-	Output O-		-
Shield	Case Earth	Case Earth		Case Earth
Electrical Rated	0.5~4V 1~5V 4~20mA	5V Span	5V Span	4~20mA -
Min/Max	5V, 24V 5 - 24V	24 VDC 12~30V	24 VDC 12~30V	24 VDC 12~30V

MEASURING RANGE

(Custom Ranges and Compound Ranges Available)

Gauge Pressure (Kg/cm ²)	Over pressure	Burst
0.05, 0.1, 0.2, 0.5, 1, 2, 4, 6	3×F.S	5×F.S
10, 15, 20, 35, 50, 100, 250, 350	2×F.S	3×F.S
Absolute Pressure(Kg/cm ²)		
0.05, 0.1, 0.2, 0.5, 1, 2, 4, 6	3×F.S	5×F.S
10, 15, 20, 35, 50	2×F.S	3×F.S

ELECTRICAL SPECIFICATION

- Supply Voltage 12~30Volts
- Output signals : 4~20mA (2-Wire), 0~5V(3-Wire)
- Load Resistance : 4~20mA ($R=(\text{Supply}-12\text{V})\div 20\text{mA}$)
0~5V ($R=150\text{k}\Omega$ Min)
- RFI and Reverse Polarity Protected

SEAL ORDER GUIDE

TYPE	INPUT PORT SEAL MAT'L	INPUT MEDIA COMPATIBILITY	MAX. SEAL TEMP RANGE(°C)
B	Buna-N (Nitrile)	Oils, Fuels, Lubricants, Detergent Solutions	-34~+121°C
C	Neoprene	Freon, Ammonia Compounds	-40~+120°C
D	Viton	Fertilizers, Freon Butanes, Oils	-40~+205°C
E	Fluoro silicone	Chlorinated Solvents Oils, Fuels	-73~+177°C

ORDERING CODE

SP-350 - F - A - E - 2 - 1

Pressure Range	Output Signal
0-500mmH ₂ O	A
0-1000mmH ₂ O	B
0-2000mmH ₂ O	C
0-5000mmH ₂ O	D
0-1Kg/cm ²	E
0-2Kg/cm ²	F
0-4Kg/cm ²	G
0-6Kg/cm ²	H
0-10Kg/cm ²	I
0-15Kg/cm ²	J
0-20Kg/cm ²	K
0-35Kg/cm ²	L
0-50Kg/cm ²	M
0-100Kg/cm ²	N
0-160Kg/cm ²	O
0-250Kg/cm ²	P
0-350Kg/cm ²	Q
0-400Kg/cm ²	R
-760-0mmAq	S
-1-9Kg/cm ²	T
-1-15Kg/cm ²	U
Other Range	X

Pressure Connector	Seal Material
1	1/4 PF
2	1/4 PT
3	Other
A	Buna-N
B	Neoprene
C	Viton
D	Fluoro silicone
E	Ethylene Propylene

Reference	
A	Absolute
G	Gauge



SAM HOI INDUSTRIAL CO., LTD.

#48-2, 66-BeonGil, Golden root-Ro, Juchon Myeon, Gimhae-city Gyeongnam, Korea

Tel. +82-55-321-0578 Fax. +82-55-321-0573

E-mail: shico007@chol.com Homepage : www.shico.co.kr

D-34

SHICO. LOW PRESSURE TRANSMITTERS

MODEL : SP-500 Series

For high pressure measurement (gauge and absolute), SHICO's SP-500 Series offers combined repeatability and hysteresis errors that are typically below 0.03% of full scale. Long term minimization of these errors is maintained after millions of full scale overpressure cycles, making electronic set point virtually drift-free.

Use of ceramic materials in the sensing element and its mounting provides excellent resistance to most liquids and chemicals. Ruggedness and reliability are also enhanced by a stainless steel housing to resist corrosion. Pressure sealing for media compatibility is provided by selection of O-ring seals.

SHICO ceramic sensing element contains an integral, reliable, solid state, custom hybrid circuit signal conditioner. This circuit provides temperature compensation for a stable output through use of computer-controlled laser trimming of hybrid circuit components.

Unit-to-unit uniformity is assured with no adjustment or recalibration required by the user, in addition, the SP-500 is ideal for remote battery operation because of its low current drain and ratio metric output.

The SP-500 Series provides a high level output, which allows it in most cases to match low level indicators, scanners and data loggers. The ratio metric output of the SP-500 is ideal for digital monitoring. By using the supply voltage as the reference for the conversion circuit, measurement accuracy is maintained regardless of supply voltage variations.

■ FEATURES

- Pressure Range :
0~10, 0~±10, 0~25, 0~±25, 0~50, 0~±50, 0~500, 0~1000, 0~2000, 0~5000 mmH₂O
0~1, 0~2, 0~4, 0~6, 0~10 (Kg/cm²) (Gauge and absolute)
- Accuracy : ±0.25% (Non-linearity repeatability, hysteresis)
- Temperature coefficient (0.1% per 10°C) be optimized for a specific operating temperature.
- Zero and Span adjusted
- Operating temperature Range : -40°C to +125°C
- Long Term Stability : ±0.25%
- Electromagnetic Interference (EMI) Protection



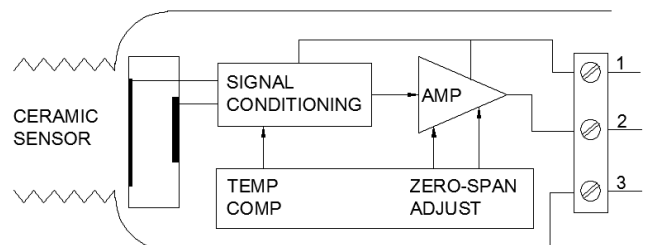
■ ADVANTAGES

- Utilizes ceramic capacitive-sensing technology.
- Ceramic characteristics provide extremely low hysteresis and high repeatability.
- Ceramic Capacitive sensor can directly withstand nearly all process media with temperature up to 125°C continuous

■ APPLICATIONS

- Process Control
- Petrochemical
- Transmitters
- Water Management
- Air Conditioning and Refrigeration
- Pneumatic and Hydraulic Controls
- Pump and Compressors
- Engine Monitoring and Test Equipment
- Agricultural Chemical Controls
- Environmental control Systems
- Level/Depth Instrumentation

■ OPERATION



SAM HOI INDUSTRIAL CO., LTD.

#48-2, 66-BeonGil, Golden root-Ro, Juchon Myeon, Gimhae-city Gyeongnam, Korea

Tel. +82-55-321-0578 Fax. +82-55-321-0573

E-mail: shico007@chol.com Homepage : www.shico.co.kr

D-35

SHICO. LOW PRESSURE TRANSMITTERS

MODEL : SP-500 Series

■ TECHNICAL DATA

- Non-Linearity : $\pm 0.1\%$
- Hysteresis and Repeatability : $\pm 0.03\%$ typical
- Temperature Error
 - : Zero, -20°C to $+100^{\circ}\text{C}$: $\pm 0.1\%$ per 10°C
 - Span, -20°C to $+100^{\circ}\text{C}$: $\pm 0.1\%$ per 10°C
- Operating Temperature : -40°C to $+125^{\circ}\text{C}$
- Stability(1year) : $\pm 0.1\%$ typical

■ MEASURING RANGE

(Custom Ranges and Compound Ranges Available)

Gauge Pressure (Kg/cm ²)	Over pressure	Burst
0.05, 0.1, 0.2, 0.5	20×F.S	25×F.S
1, 2, 4, 6, 10	10×F.S	15×F.S
Absolute Pressure(Kg/cm ²)		
0.05, 0.1, 0.2, 0.5	20×F.S	25×F.S
1, 2, 4, 6, 10	10×F.S	15×F.S

■ ELECTRICAL SPECIFICATION

- Supply Voltage 18~32Volts
- Output signals : 4~20mA (2-Wire), 0~5V(3-Wire)
- Load Resistance : 4~20mA (R=(Supply-12V)÷20mA
0~5V (R=150k Ω Min)
- RFI and Reverse Polarity Protected

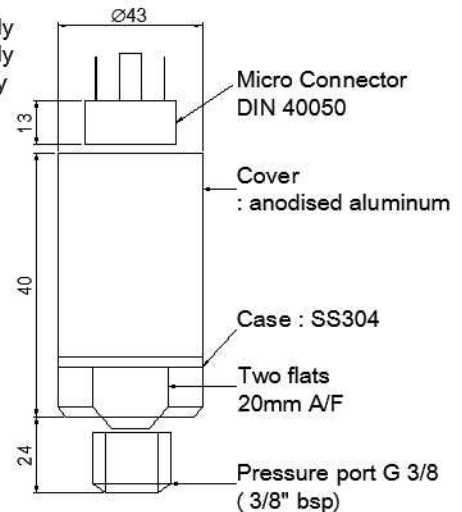
■ SEAL ORDER GUIDE

TYPE	INPUT PORT SEAL MAT'L	INPUT MEDIA COMPATIBILITY	MAX. SEAL TEMP RANGE(°C)
B	Buna-N (Nitrile)	Oils, Fuels, Lubricants, Detergent Solutions	-34~+121°C
C	Neoprene	Freon, Ammonia Compounds	-40~+120°C
D	Viton	Fertilizers, Freon Butanes, Oils	-40~+205°C
E	Fluoro silicone	Chlorinated Solvents Oils, Fuels	-73~+177°C

■ DIMENSIONS

Connector Wiring

- Pin 1 : +ve supply
- Pin 2 : +ve supply
- Pin 3 : -ve supply
- Pin 1 : -Earth



■ ORDERING CODE

SP-500 - F - A - E - 2 - 1

Pressure Range	Output Signal
0-10mmH ₂ O	1 4~20mA
0-±10mmH ₂ O	2 1~5V
0-25mmH ₂ O	3 0~5V
0-±25mmH ₂ O	4 0~10V
0-50mmH ₂ O	5 Other
0-±50mmH ₂ O	
0-100mmH ₂ O	
0-250mmH ₂ O	
0-500mmH ₂ O	
0-1000mmH ₂ O	
0-2000mmH ₂ O	
0-5000mmH ₂ O	
0-1Kg/cm ²	
0-2Kg/cm ²	
0-4Kg/cm ²	
0-6Kg/cm ²	
0-10Kg/cm ²	
Other Range	
	Pressure Connector
	1 3/8 PT
	2 1/2 PT
	3 Other
	Seal Material
	A Buna-N
	B Neoprene
	C Viton
	D Fluoro silicone
	E Ethylene Propylene
	Reference
	A Absolute
	G Gauge



SAM HOI INDUSTRIAL CO., LTD.

#48-2, 66-BeonGil, Golden root-Ro, Juchon Myeon, Gimhae-city Gyeongnam, Korea

Tel. +82-55-321-0578 Fax. +82-55-321-0573

E-mail: shico007@chol.com Homepage : www.shico.co.kr

D-36

SHICO.

EXPLOSION-PROOF PRESSURE TRANSMITTERS

MODEL : SP-600 Series

For high pressure measurement (gauge and absolute), SHICO's SP-600 Series offers combined repeatability and hysteresis errors that are typically below 0.03% of full scale. Long term minimization of these errors is maintained after millions of full scale overpressure cycles, making electronic set point virtually drift-free.

Use of ceramic materials in the sensing element and its mounting provides excellent resistance to most liquids and chemicals. Ruggedness and reliability are also enhanced by a stainless steel housing to resist corrosion. Pressure sealing for media compatibility is provided by selection of O-ring seals.

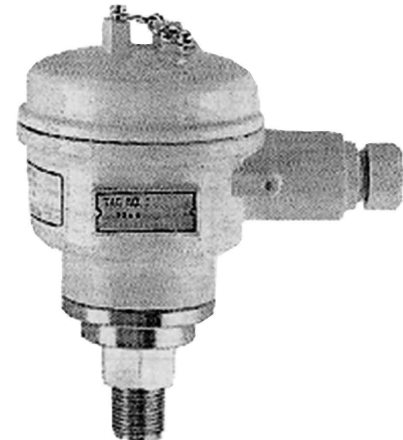
SHICO ceramic sensing element contains an integral, reliable, solid state, custom hybrid circuit signal conditioner. This circuit provides temperature compensation for a stable output through use of computer-controlled laser trimming of hybrid circuit components.

Unit-to-unit uniformity is assured with no adjustment or recalibration required by the user, in addition, the SP-600 is ideal for remote battery operation because of its low current drain and ratio metric output.

The SP-600 Series provides a high level output, which allows it in most cases to match low level indicators, scanners and data loggers. The ratio metric output of the SP-600 is ideal for digital monitoring. By using the supply voltage as the reference for the conversion circuit, measurement accuracy is maintained regardless of supply voltage variations.

■ FEATURES

- Pressure Range :
0~500, 0~1000, 0~2000, 0~5000 mmH₂O
0~1, 0~2, 0~4, 0~6, 0~10, 0~15, 0~20, 0~35, 0~50,
0~100, 0~160, 0~250, 0~350, 0~400Kg/cm²
-760~0, -1~9, -1~15 (Gauge and absolute)
- Accuracy : ±0.25% (Non-linearity repeatability, hysteresis)
- Temperature coefficient (0.1% per 10°C) be optimized for a specific operating temperature.
- Zero and Span adjusted
- Operating temperature Range : -40°C to +125°C
- Long Term Stability : ±0.25%
- Electromagnetic Interference (EMI) Protection



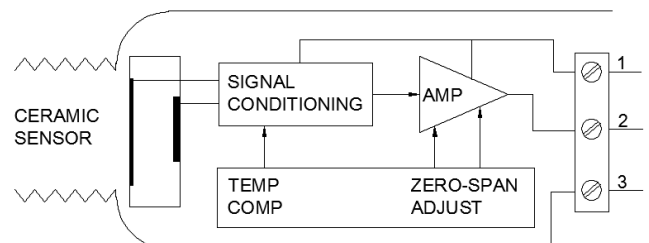
■ ADVANTAGES

- Utilizes ceramic capacitive-sensing technology.
- Ceramic characteristics provide extremely low hysteresis and high repeatability.
- Ceramic Capacitive sensor can directly withstand nearly all process media with temperature up to 125°C continuous

■ APPLICATIONS

- Process Control
- Petrochemical
- Transmitters
- Water Management
- Air Conditioning and Refrigeration
- Pneumatic and Hydraulic Controls
- Pump and Compressors
- Engine Monitoring and Test Equipment
- Agricultural Chemical Controls
- Environmental control Systems
- Level/Depth Instrumentation

■ OPERATION



SAM HOI INDUSTRIAL CO., LTD.

#48-2, 66-BeonGil, Golden root-Ro, Juchon Myeon, Gimhae-city Gyeongnam, Korea

Tel. +82-55-321-0578 Fax. +82-55-321-0573

E-mail: shico007@chol.com Homepage : www.shico.co.kr

D-37

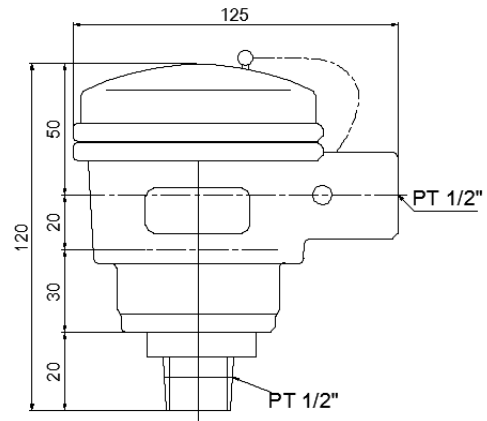
SHICO. EXPLOSION-PROOF PRESSURE TRANSMITTERS

MODEL : SP-600 Series

■ TECHNICAL DATA

- Non-Linearity : $\pm 0.1\%$
- Hysteresis and Repeatability : $\pm 0.03\%$ typical
- Temperature Error
 - : Zero, -20°C to $+100^{\circ}\text{C}$: $\pm 0.1\%$ per 10°C
 - Span, -20°C to $+100^{\circ}\text{C}$: $\pm 0.1\%$ per 10°C
- Operating Temperature : -40°C to $+125^{\circ}\text{C}$
- Stability(1year) : $\pm 0.1\%$ typical

■ DIMENSIONS



■ MEASURING RANGE

(Custom Ranges and Compound Ranges Available)

Gauge Pressure (Kg/cm ²)	Over pressure	Burst
0.05, 0.1, 0.2, 0.5, 1, 2, 4, 6	3×F.S	5×F.S
10, 15, 20, 35, 50, 100, 250, 350	2×F.S	3×F.S
Absolute Pressure(Kg/cm ²)		
0.05, 0.1, 0.2, 0.5, 1, 2, 4, 6	3×F.S	5×F.S
10, 15, 20, 35, 50	2×F.S	3×F.S

■ ELECTRICAL SPECIFICATION

- Supply Voltage 18~32Volts
- Output signals : 4~20mA (2-Wire), 0~5V(3-Wire)
- Load Resistance : 4~20mA (R=(Supply-12V)÷20mA)
0~5V (R=150kΩ Min)
- RFI and Reverse Polarity Protected

■ ORDERING CODE

SP-600 - F - A - E - 2 - 1

Pressure Range	Output Signal
0-500mmH ₂ O A	1 4~20mA
0-1000mmH ₂ O B	2 1~5V
0-2000mmH ₂ O C	3 0~5V
0-5000mmH ₂ O D	4 0~10V
0-1Kg/cm ² E	5 Other
0-2Kg/cm ² F	
0-4Kg/cm ² G	
0-6Kg/cm ² H	
0-10Kg/cm ² I	
0-15Kg/cm ² J	
0-20Kg/cm ² K	
0-35Kg/cm ² L	
0-50Kg/cm ² M	
0-100Kg/cm ² N	
0-160Kg/cm ² O	
0-250Kg/cm ² P	
0-350Kg/cm ² Q	
0-400Kg/cm ² R	
-760-0mmAq S	
-1-9Kg/cm ² T	
-1-15Kg/cm ² U	
Other Range X	

Pressure Connector
1 1/4 NPT
2 Other

Seal Material
A Buna-N
B Neoprene
C Viton
D Fluoro silicone
E Ethylene Propylene

Reference
A Absolute
G Gauge

■ SEAL ORDER GUIDE

TYPE	INPUT PORT SEAL MAT'L	INPUT MEDIA COMPATIBILITY	MAX. SEAL TEMP RANGE(°C)
B	Buna-N (Nitrile)	Oils, Fuels, Lubricants, Detergent Solutions	-34~+121°C
C	Neoprene	Freon, Ammonia Compounds	-40~+120°C
D	Viton	Fertilizers, Freon Butanes, Oils	-40~+205°C
E	Fluoro silicone	Chlorinated Solvents Oils, Fuels	-73~+177°C



SAM HOI INDUSTRIAL CO., LTD.

#48-2, 66-BeonGil, Golden root-Ro, Juchon Myeon, Gimhae-city Gyeongnam, Korea

Tel. +82-55-321-0578 Fax. +82-55-321-0573

E-mail: shico007@chol.com Homepage : www.shico.co.kr

D-38

SHICO. EQUALIZING VALVE

MODEL : SEV Series

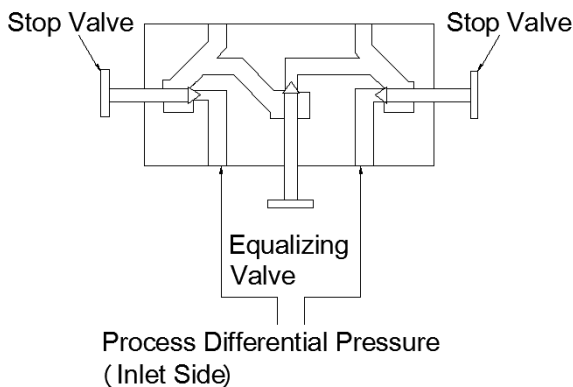
This equalizing valve is designed for use with TDP series differential pressure transmitter or flow rate transmitter is composed of two stop valves for blocking high and low pressure and one equalizing valve. It is available in two types, a transmitter direct coupling type and a piping type.

■ SPECIFICATIONS

PRESSURE RATING	100Kg/cm ² , 420Kg/cm ²
MATERIAL	SF, SUS316
FLUID TEMPERATURE	-30 to 150℃ (Under non-freezing condition)
AMBIENT TEMPERATURE	-30 to 150℃
APPLICATION	Differential pressure transmitter TDP-300
PROCESS CONNECTION	PT 1/2" internal thread Equalizing valve of transmitter coupling type (SEV 1N) shipped with an oval flange.



■ STRUCTURAL PRINCIPLE



■ SCOPE OF DELIVERY

- SEV-1N --- Equalizing valve mounting bolt gaskets and oval flanges(PT 1/2").
- SEV-1Y --- Equalizing valve with piping and mounting bracket

■ ORDERING CODE

CODE	Pressure rating(kg/cm ²)
1	100
2	400

CODE	Pressure Piping
N	NO
Y	YES

CODE	Material
F	SF
S	SS316

CODE	No-Oil treatment
N	No
Y	Yes

SEV-

※ Note

- 1) Specify material "W" or oxygen treatment.
- 2) Equalizing valves for transmitter of material B.L.U (Corroding resistant material for wetted parts) are not available.



SAM HOI INDUSTRIAL CO., LTD.

#48-2, 66-BeonGil, Golden root-Ro, Juchon Myeon, Gimhae-city Gyeongnam, Korea

Tel. +82-55-321-0578 Fax. +82-55-321-0573

E-mail: shico007@chol.com Homepage : www.shico.co.kr

D-39

SHICO. EQUALIZING VALVE

MODEL : SEV Series

OVER FLANGE

This oval flange is used for connecting on TDP series differential pressure flow rate liquid level or pressure transmitter or equalizing valve with a process pressure piping.

SPECIFICATIONS

PRESSURE RATING	100kg/cm ²
MATERIAL	Flange : SF or SS316
	Bolt : SS304
	Gasket : Teflon fluoric rubber (For oval flange rated for 420Kg/cm ²)
PROCESS CONNECTION	PT1/2 or PT1/4 internal thread
Fluid temperature	-30 to 150℃

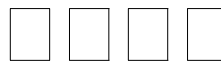
SCOPE OF DELIVERY

Flange mounting bolt and gasket

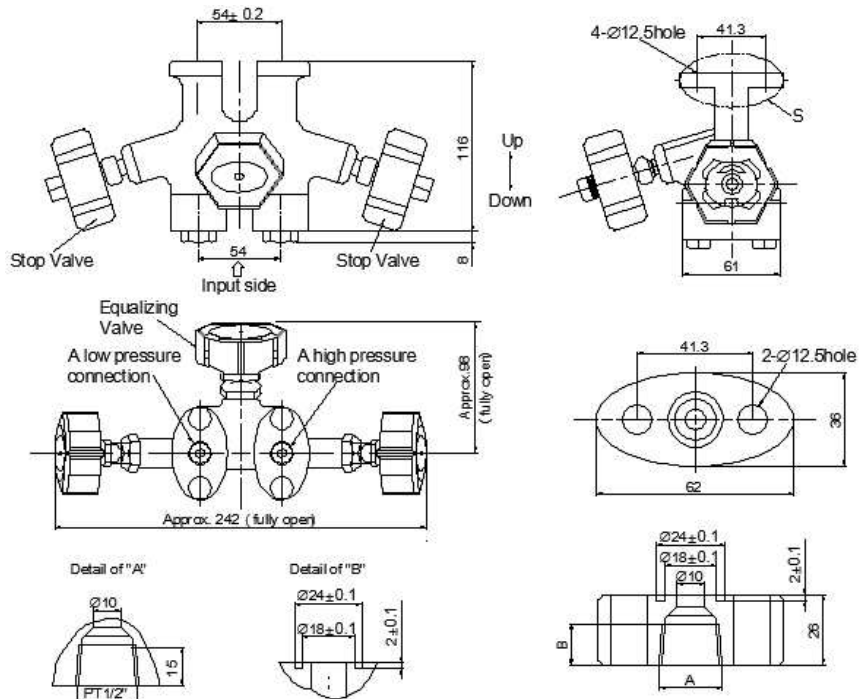
ORDERING

CODE	Pressure rating(kg/cm ²)
1	100
4	420
CODE	Process connection
N	PT 1/2
Y	PT 1/4
CODE	Material
F	SF
S	SUS316
CODE	No-Oil treatment
N	No
Y	Yes

SEVD-



DIMENSION (Transmitter direct coupling equalizing valve (SEV-1N))



SAM HOI INDUSTRIAL CO., LTD.

#48-2, 66-BeonGil, Golden root-Ro, Juchon Myeon, Gimhae-city Gyeongnam, Korea

Tel. +82-55-321-0578 Fax. +82-55-321-0573

E-mail: shico007@chol.com Homepage : www.shico.co.kr

D-40